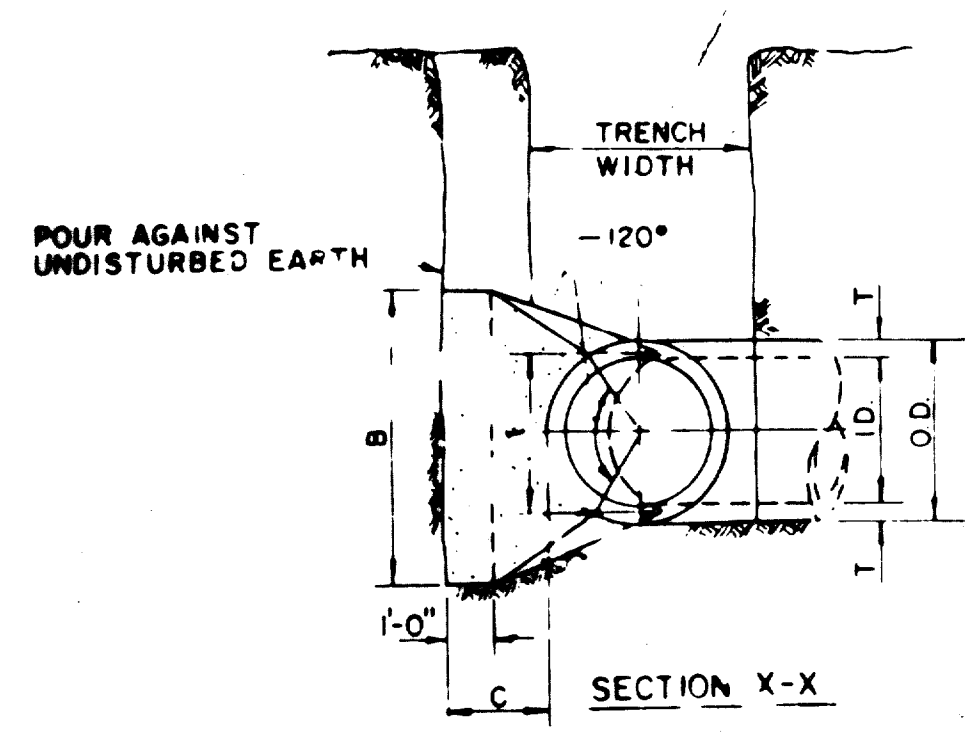


I.D. (IN.)	T (IN.)	C 11.25°		C 22.50°		E (IN.)
		A	B	A	B	
4.68	0.4	1.5	1.5	0.9		
10.12	0.5	1.5	1.5	1.2		
16.18	0.6	1.5	1.5	1.6		
20.07	1.5	1.5	1.5	1.8		
24.09	1.5	1.5	1.5	2.1		
30.29	1.5	1.5	1.5	2.6		
36.45	1.5	2.3	3.3			
42.30	1.8	6.6	3.8			
48.55	2.0	3.0	4.3			
54.60	2.3	3.4	4.8			
60.65	2.5	3.8	5.3			
66.68	2.8	4.1	5.7			
72.75	3.0	4.5	6.3			
78.75	3.3	4.9	6.7			
84.80	3.5	5.3	7.2			
90.85	3.8	5.6	7.7			
96.90	4.0	6.0	8.2			



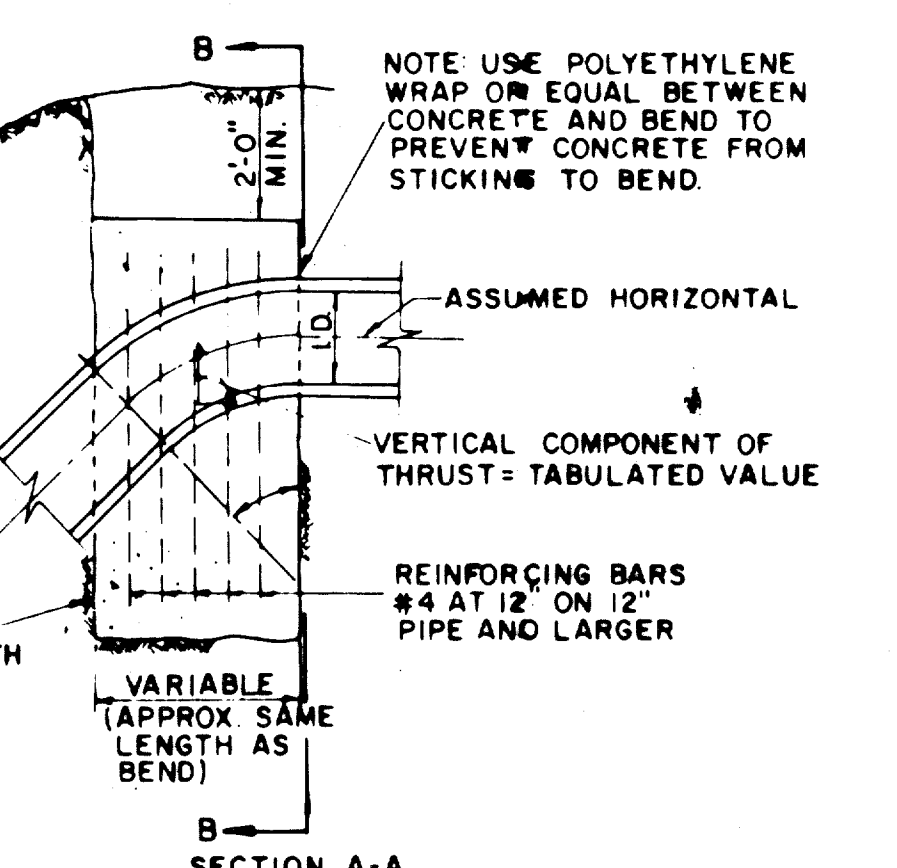
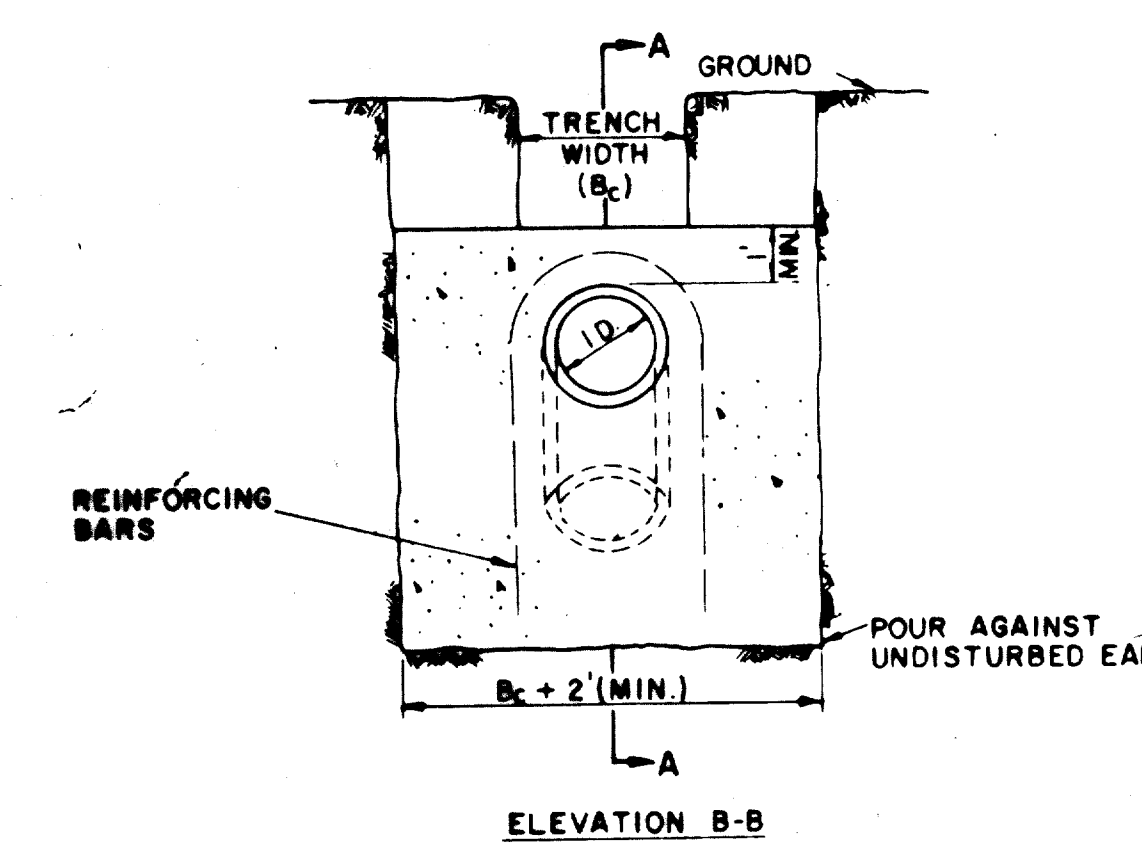
I.D. (IN.)	G (FT.)	THRUST (TONS)	EARTH			ROCK			I.D. (IN.)	G (FT.)	THRUST (TONS)	EARTH			ROCK		
			A	B	VOL. C.Y.	A	B	VOL. C.Y.				A	B	VOL. C.Y.	A	B	VOL. C.Y.
4.68	0.4	10	1.0	1.5	0.1	1.0	1.0	0.1	4.68	0.8	2.0	1.5	0.1	1.0	1.0	0.1	
10.12	0.6	22	1.5	1.5	0.1	1.0	1.5	0.1	10.12	1.1	4.4	2.0	2.5	0.3	1.5	1.5	0.1
16.18	0.8	50	2.0	2.5	0.3	1.5	2.0	0.2	16.18	1.6	9.9	3.0	3.5	0.6	2.0	2.5	0.3
20.09	6.2	2.0	3.5	0.4	1.5	3.0	0.3	2.0	18	12.3	3.5	3.5	0.7	2.0	3.5	0.4	
24	11	8.9	3.0	3.0	0.5	1.5	3.0	0.3	24	22	17.7	4.0	4.5	1.0	3.0	3.0	0.5
30	14	10.4	3.0	3.5	0.6	2.0	3.5	0.4	30	27	20.7	5.0	4.5	1.5	3.0	4.0	0.8
36	17	15.0	3.5	4.5	0.9	2.0	4.0	0.5	36	33	29.6	5.5	5.5	2.3	4.0	4.0	1.3
42	19	20.4	4.5	5.0	1.5	2.5	5.0	0.8	42	38	40.5	7.0	6.0	3.9	4.5	5.0	2.1
48	22	26.6	4.5	6.0	2.0	2.5	6.0	1.1	48	44	52.9	8.0	7.0	5.7	4.8	6.0	2.8
54	25	33.7	6.0	6.0	3.0	3.0	6.0	1.4	54	49	67.0	9.0	8.0	8.0	6.0	6.0	4.1
60	27	41.6	6.0	7.0	3.8	3.0	7.0	1.8	60	55	82.7	9.5	9.0	10.6	6.0	7.0	5.3
66	30	50.3	6.5	8.0	5.1	3.5	8.0	2.7	66	60	100.1	10.5	10.0	14.1	6.5	8.0	7.2
72	33	59.9	7.5	8.0	6.3	4.0	8.0	3.7	72	66	119.1	11.0	11.0	17.6	7.5	8.0	9.1
78	36	70.2	8.0	9.0	8.1	4.0	9.0	3.9	78	71	139.8	12.0	12.0	22.5	8.0	9.0	11.7
84	38	81.5	8.5	10.0	10.3	4.5	10.0	5.3	84	76	162.1	13.0	12.5	27.2	8.5	10.0	14.8
90	41	93.5	9.5	10.0	12.2	5.0	10.0	6.3	90	82	186.1	14.0	13.5	33.7	9.5	10.0	17.7
96	44	106.4	10.0	11.0	15.0	5.0	11.0	7.4	96	87	211.7	15.0	14.5	41.2	10.0	11.0	21.8

HORIZONTAL BEND THRUST BLOCK

I.D. (IN.)	G (FT.)	THRUST (TONS)	EARTH			ROCK			I.D. (IN.)	G (FT.)	THRUST (TONS)	EARTH			ROCK		
			A	B	VOL. C.Y.	A	B	VOL. C.Y.				A	B	VOL. C.Y.	A	B	VOL. C.Y.
4.68	1.0	2.8	2.0	1.5	0.2	1.0	1.5	0.1	4.68	1.5	3.9	2.0	2.0	0.2	1.5	1.5	0.1
10.12	1.5	5.9	2.5	2.5	0.3	2.0	1.5	0.2	10.12	2.2	8.7	3.5	2.5	0.3	2.0	2.5	0.3
16.18	2.2	13.2	3.5	4.0	0.8	2.5	3.0	0.8	16.18	3.2	19.5	4.5	4.5	1.2	3.0	3.5	0.8
20	24	16.3	4.5	4.0	1.0	3.0	3.0	0.5	20	3.6	24.1	5.5	4.5	1.5	3.5	3.8	0.7
24	29	23.4	6.0	4.0	1.4	3.5	3.5	0.7	24	4.3	34.6	8.0	4.5	2.3	4.5	4.0	1.1
30	36	27.5	5.5	5.0	1.9	3.5	4.0	0.9	30	5.4	40.6	8.5	5.0	3.2	5.0	4.0	1.6
36	44	38.5	7.0	6.0	3.4	4.5	4.5	1.6	36	6.5	58.5	10.0	6.0	5.3	6.5	4.5	2.6
42	51	53.8	8.0	7.0	5.1	5.5	5.0	2.5	42	7.5	79.6	11.5	7.0	8.1	8.0	5.0	4.2
48	58	70.3	9.0	8.0	7.4	6.0	6.0	3.7	48	8.6	104.0	13.0	8.0	11.9	9.0	6.0	6.3
54	65	89.0	10.0	9.0	10.3	7.0	6.5	5.3	54	9.7	131.5	15.0	9.0	17.1	10.5	6.5	8.9
60	73	110.0	11.0	10.0	13.9	7.5	7.5	7.3	60	10.7	162.4	16.5	10.0	23.1	11.0	7.5	12.0
66	80	132.9	12.5	11.0	18.9	8.5	8.0	9.6	66	11.8	196.5	18.0	11.0	30.1	12.0	8.5	16.2
72	87	158.2	13.5	12.0	24.0	9.0	9.0	12.3	72	12.9	233.9	19.5	12.0	38.6	14.0	8.5	20.7
78	94	185.6	14.5	13.0	30.0	10.0	9.5	15.6	78	13.9	274.5	21.5	13.0	49.8	14.5	9.5	25.9
84	101	215.3	15.5	14.0	37.1	10.5	10.5	19.5	84	15.0	318.4	23.0	14.0	61.2	15.5	10.5	32.6
90	109	247.1	16.5	15.0	45.0	11.5	11.0	23.9	90	16.1	365.5	24.5	15.0	74.5	17.5	10.5	39.6
96	116	281.2	18.0	16.0	55.5	12.5	11.5	28.9	96	17.1	415.6	26.0	16.0	89.5	18.5	11.5	48.5

I.D. (IN.)	G (FT.)	THRUST (TONS)	EARTH			ROCK			I.D. (IN.)	G (FT.)	THRUST (TONS)	EARTH			ROCK		
			A	B	VOL. C.Y.	A	B	VOL. C.Y.				A	B	VOL. C.Y.	A	B	VOL. C.Y.
4.68	2.1	5.6	3.0	2.0	0.3	2.0	1.5	0.2	4.68	2.7	7.1	5.0	1.5	0.4	2.0	2.0	0.2
10.12	3.1	12.6	3.5	2.5	0.8	3.5	2.0	0.4	10.12	4.0	16.0	6.5	2.8	1.0	3.0	2.5	0.5
16.18	4.7	28.3	7.5	4.0	1.9	8.0	3.0	0.9	16.18	6.0	36.0	8.0	4.0	2.4	4.0	4.0	1.0
20	5.2	34.9	9.0	4.0	2.3	5.5	3.5	1.2	20	6.8	44.4	10.0	4.5	3.1	6.0	4.0	1.5
24	6.2	50.3	11.5	4.5	3.5	6.5	4.0	1.6	24	7.9	64.0	14.5	4.5	5.0	8.0	4.0	2.1
30	7.8	58.9	12.0	5.0	4.8	7.5	4.0	2.2	30	9.9	75.0	15.0	5.0	6.7	10.0	4.0	3.3
36	9.4	84.9	14.5	6.0	6.2	9.5	4.5	3.8	36	11.9	108.0	18.0	6.0	11.4	12.0	4.5	5.3
42	10.8	115.5	17.0	7.0	12.8	11.0	5.5	6.3	42	13.9	147.0	21.0	7.0	17.8	14.0	5.5	8.7
48	12.8	150.9	19.0	8.0	18.4	13.0	6.0	9.2	48	15.9	192.0	24.0	8.0	26.2	16.0	6.0	12.4
54	14.0	191.0	21.5	9.0	26.0	15.0	6.5	12.9	54	17.9	243.0	27.0	9.0	36.9	18.0	7.0	18.1
60	15.6	238.8	24.0	10.0	35.6	16.0	7.5	17.6	60	19.9	299.8	30.0	10.0	50.3	20.0	7.5	24.0
66	17.1	283.3	26.0	11.0	46.0	18.0	8.0	23.0	66	21.9	362.8	33.0	11.0	66.2	22.0	8.5	32.3
72	18.7	339.5	28.5	12.0	57.8	19.0	9.0	28.4	72	23.8	431.8	36.0	12.0	85.6	24.0	9.0	41.0
78	20.2	398.5	31.0	13.0	73.7	21.0	9.5	37.4	78	25.7	506.7	39.0	13.0	108.2	26.0	10.0	53.2
84	21.8	462.1	33.5	14.0	94.7	22.0	10.5	46.3	84	27.7	587.7	42.0	14.0	134.4	28.0	10.5	64.8
90	23.3	530.5	35.5	15.0	114.4	24.5	11.0	58.2	90	29.0	674.6	45.0	15.0	164.3	30.0	11.5	81.2
96	24.9	603.6	38.0	16.0	138.9	25.5	12.0	70.0	96	31.6	767.5	48.0	16.0	199.0	32.0	12.0	93.1

PLUG & TEE THRUST BLOCK



I.D. (IN.)	THRUST (TONS)	11.25°		22.50°		30°		45°		67.50°		90°		I.D. (IN.)
		A	B	A	B	A	B	A	B	A	B	A	B	
4.68	1.0	0.5	2.0	1.0	2.5	1.3	3.6	1.8	4.6	2.3	5.0	2.5	4.6	4.68
10.12	2.2	1.1	4.3	2.2	5.7	2.8	8.0	4.0	10.5	5.2	11.3	5.7	10.12	
16.18	3.0	2.3	9.7	4.9	12.7	6.4	18.0	9.0	23.9	11.8	23.3	12.7	16.18	
20	6.1	3.1	12.0	6.0	15.7	7.9	22.2	11.1	29.2	14.5	31.4	15.7	20	
24	8.2	4.4	17.3	8.7	22.6	11.3	32.0	16.0	41.8	20.9	45.2	22.6	24	
30	10.5	5.2	20.3	10.1	26.5	13.3	37.5	18.8	49.0	24.5	53.1	26.5	30	
36	14.9	7.5	29.2	14.6	38.2	19.1	54.0	27.0	70.5	35.3	76.4	38.2	36	
42	20.3	10.1	39.8	19.9	52.0	26.0	73.5	36.7	96.0	48.0	104.0	52.0	42	
48	26.5	13.2	51.9	26.0	67.9	33.9	96.0	48.0	126.0	62.7	136.0	67.9	48	
54	33.5	16.8	65.7	32.9	85.9	42.9	122.0	60.7	159.0	79.4	172.0	85.9	54	
60	41.4	20.7	81.2	40.6	106.0	53.0	150.0	75.0	194.0	98.0	212.0	106.0	60	
66	50.1	25.0	98.2	49.1	128.0	64.2	182.0	90.7	237.0	119.0	257.0	128.0	66	
72	59.6	29.8	117.0	58.4	153.0	76.3	216.0	108.0	282.0	141.0	305.0	153.0	72	
78	69.9	35.0	137.0	68.6	179.0	90.0	234.0	127.0						