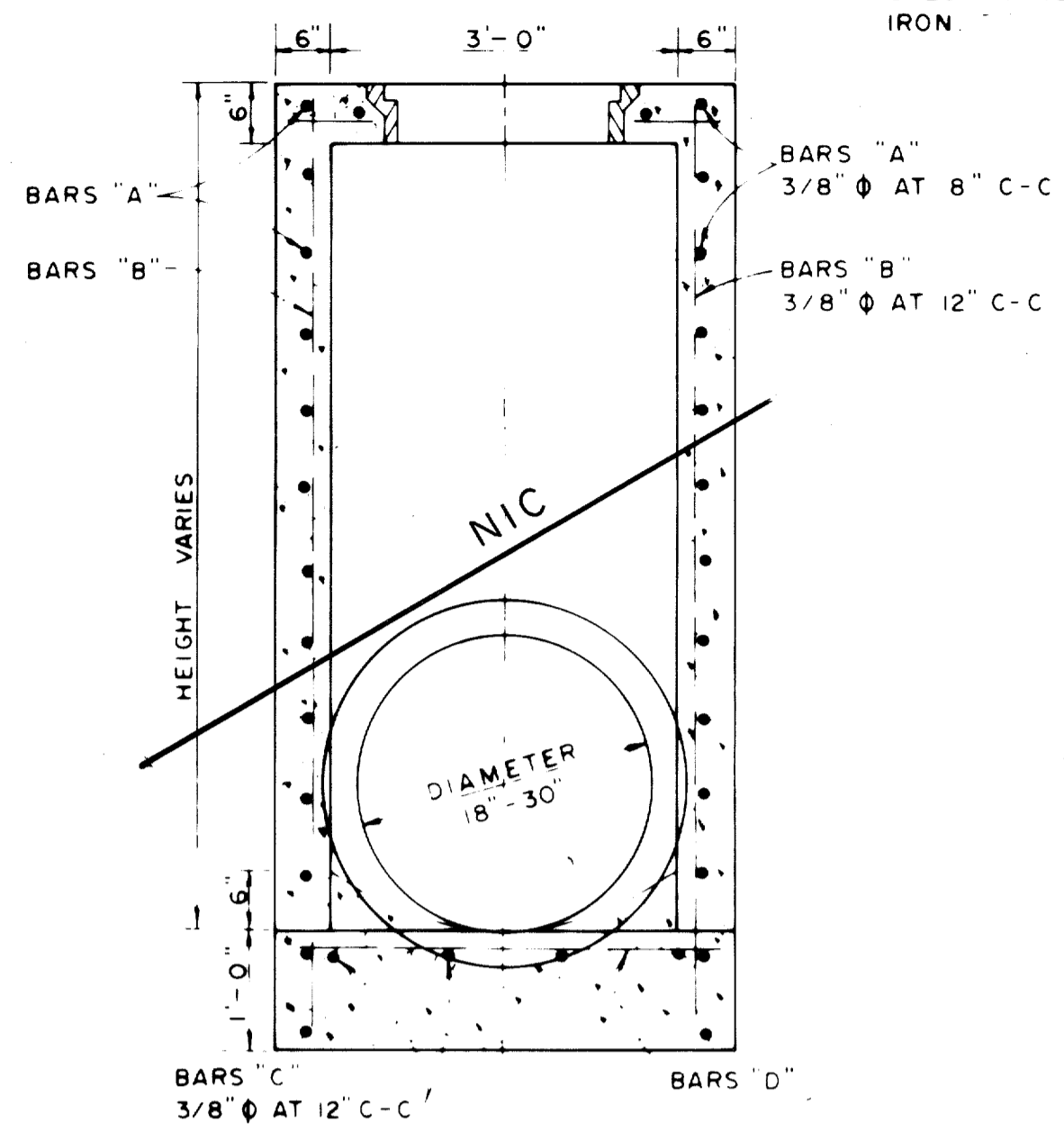


ELEVATION

TYPE A STORM SEWER MANHOLE

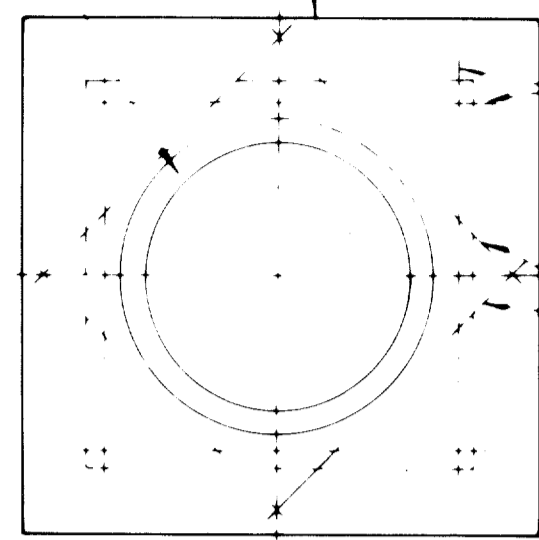
(FOR PIPE 18" TO 30" IN DIAMETER)



SECTION A-A

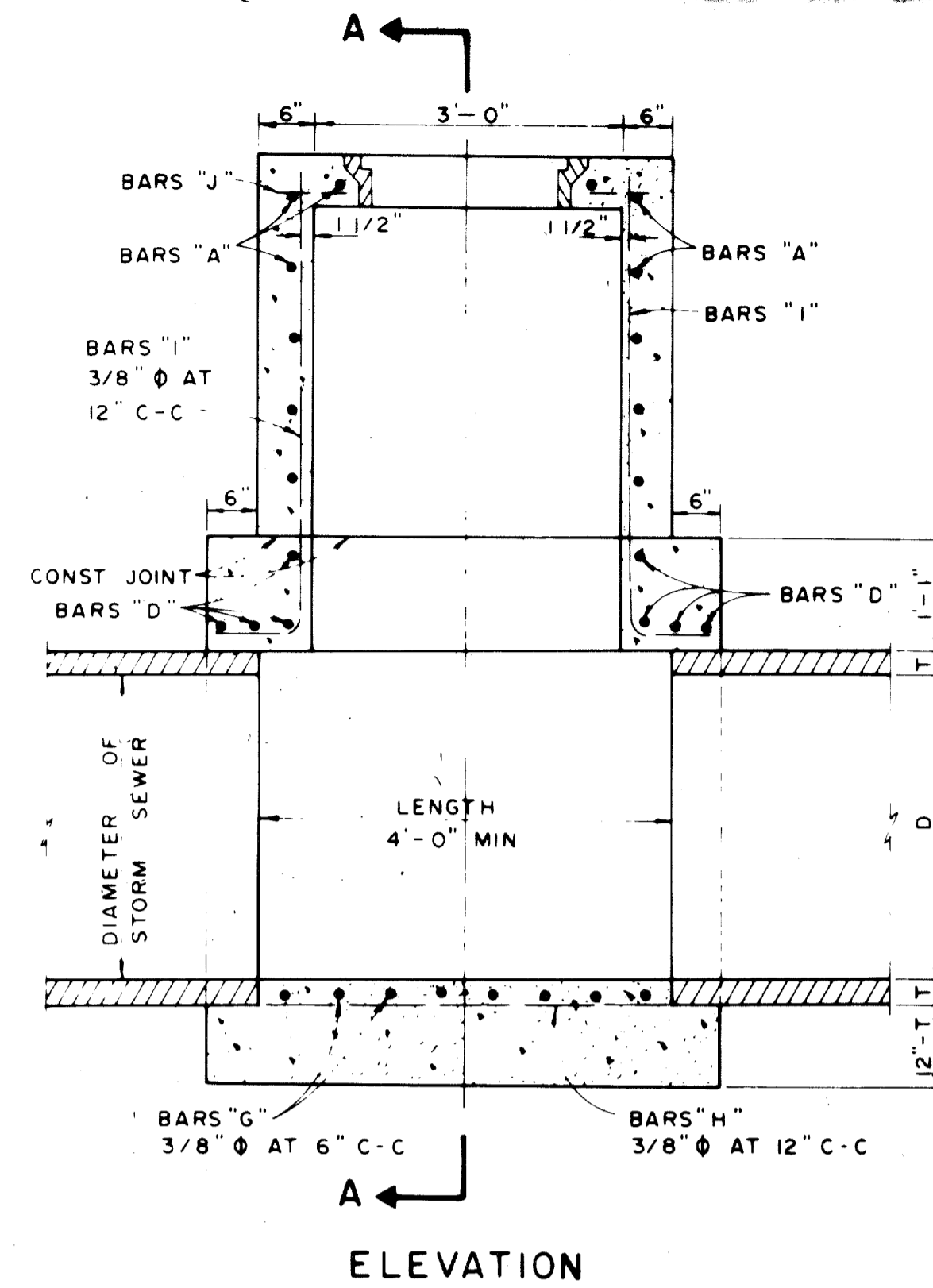
NOTE FRAME AND COVER SHALL BE BASS & HAYS PATTERN NO 380-24 OR EQUAL AND SHALL BE OF GRAY CAST IRON CONFORMING TO ASTM SPEC A-48 FOR CLASS 30 CAST IRON

PROVIDE 3/4" PREMOLDED EXPANSION JOINT BETWEEN MANHOLE AND CONCRETE PAVEMENT AND SEAL WITH HOT POURED RUBBER



TOP PLAN
TYPE A & TYPE B
STORM SEWER MANHOLE

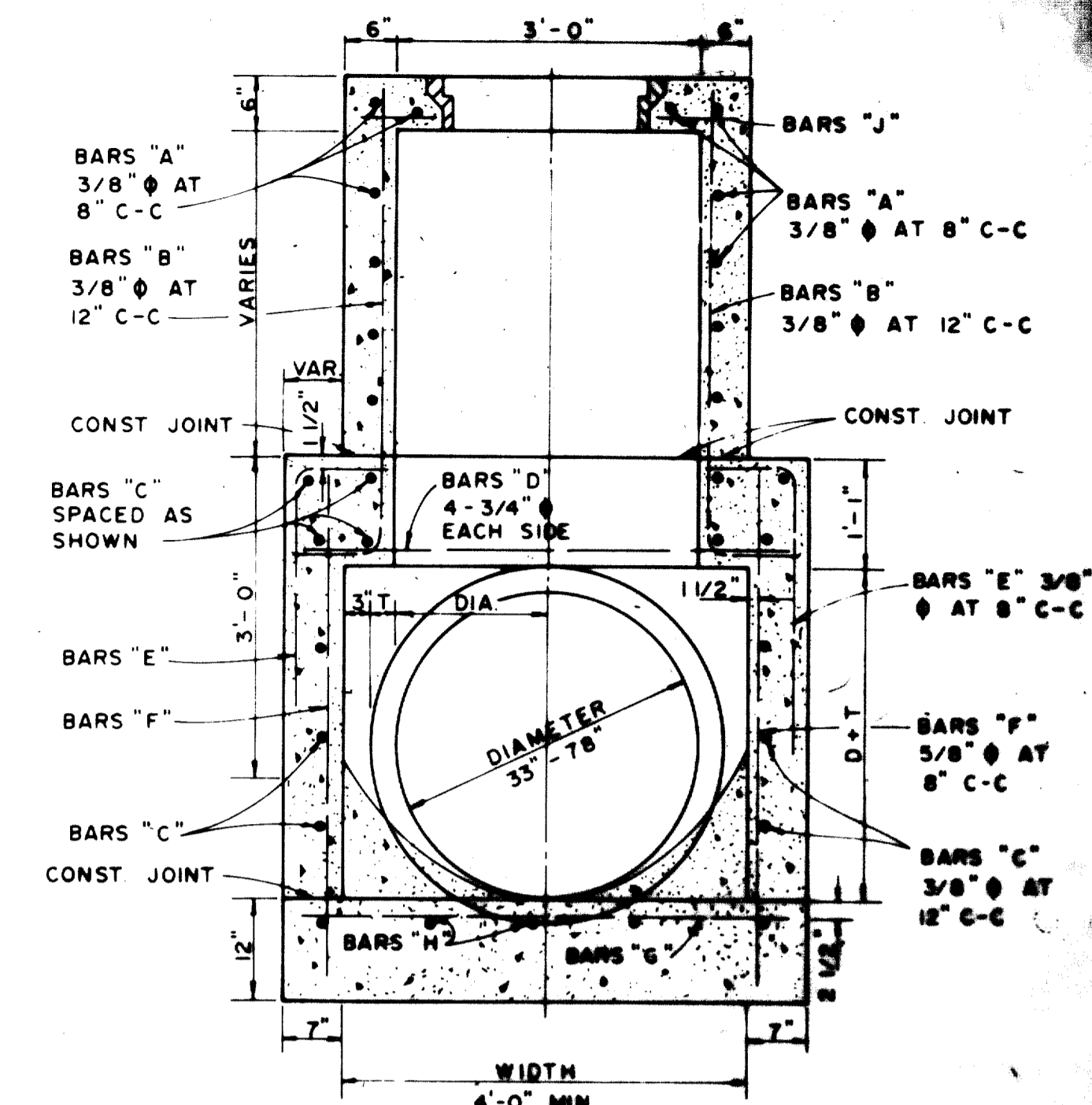
NOTE MAXIMUM PIPE SIZE TO BE USED 78"



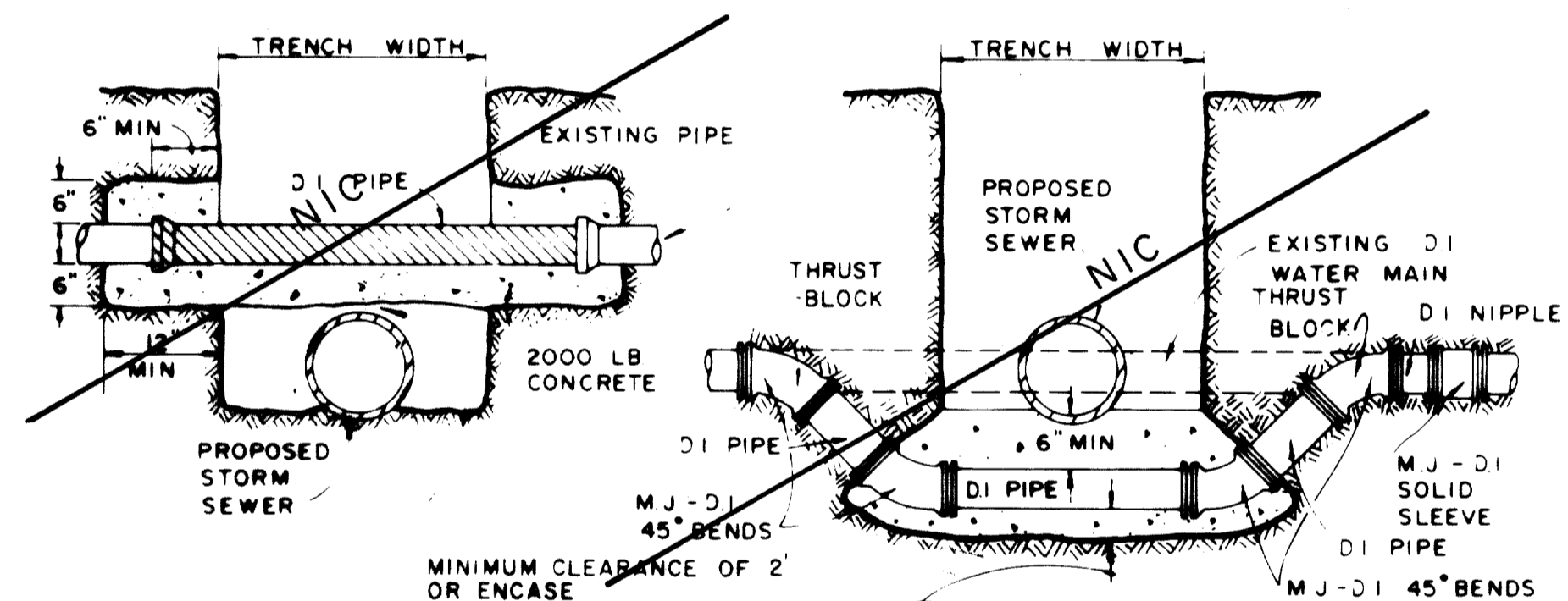
ELEVATION

TYPE B STORM SEWER MANHOLE

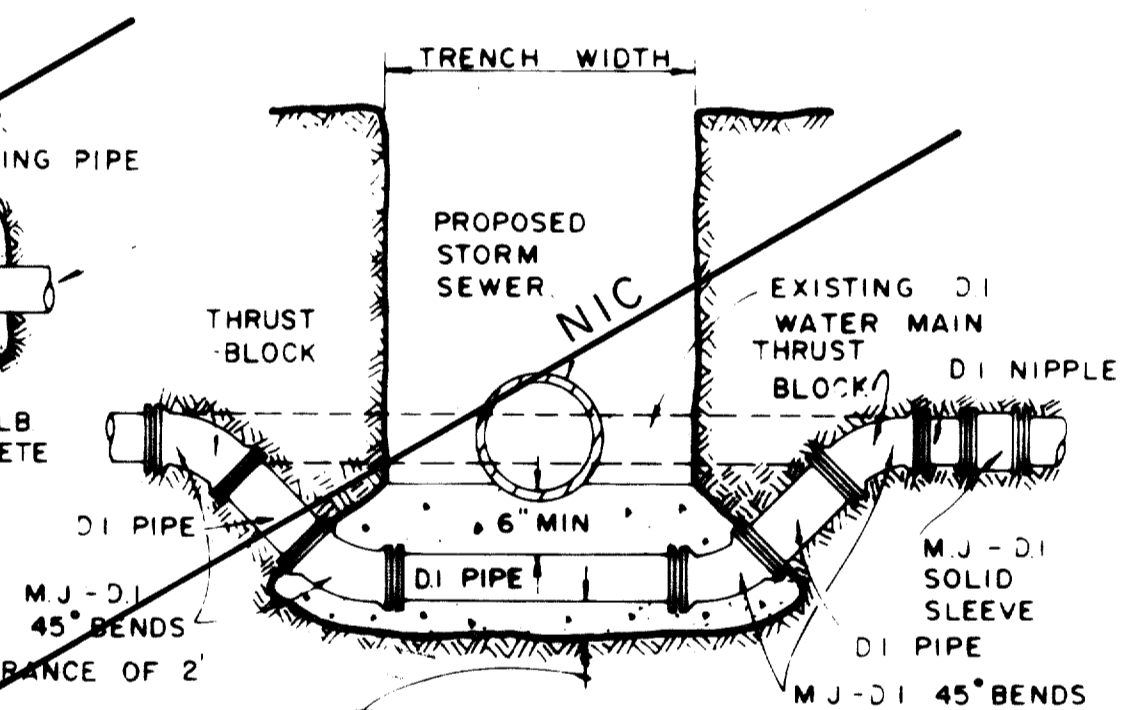
(FOR PIPE 33" TO 78" IN DIAMETER)



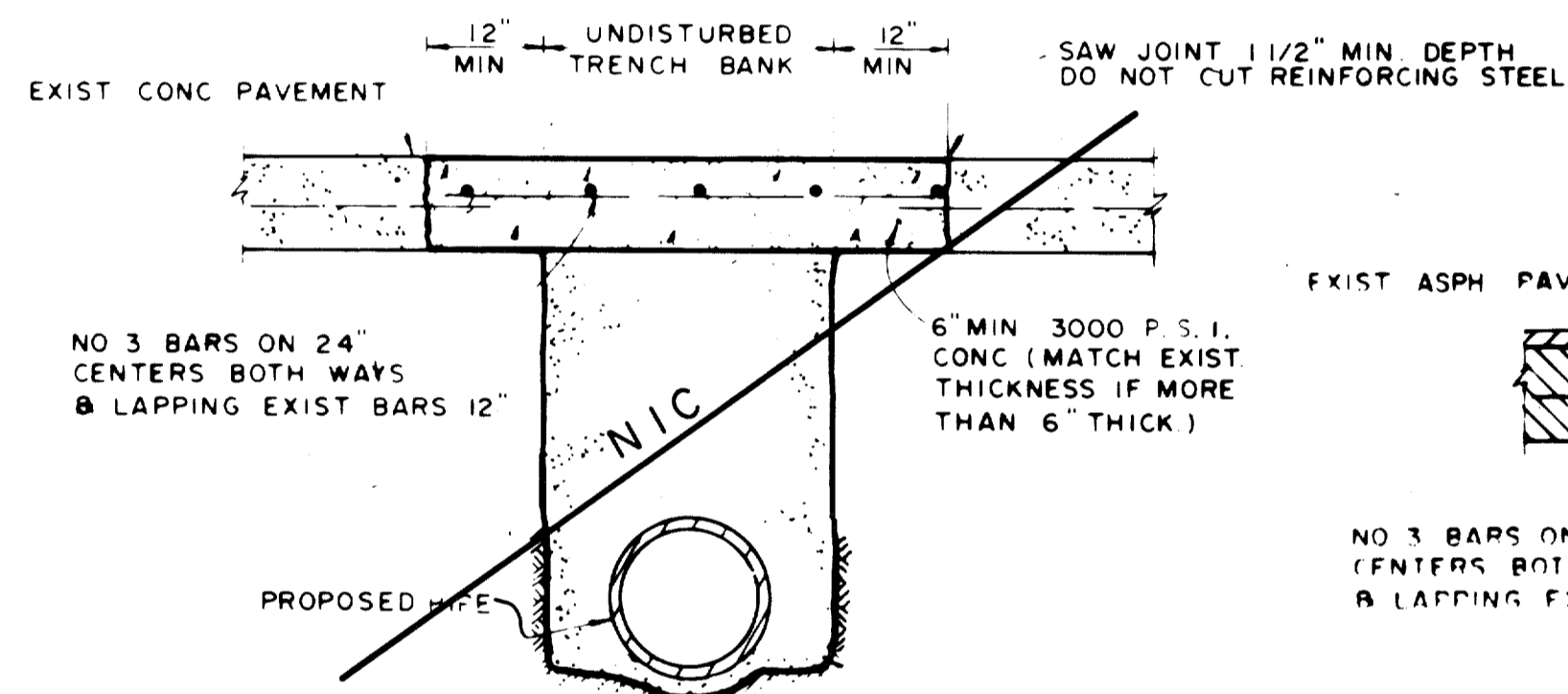
SECTION A-A



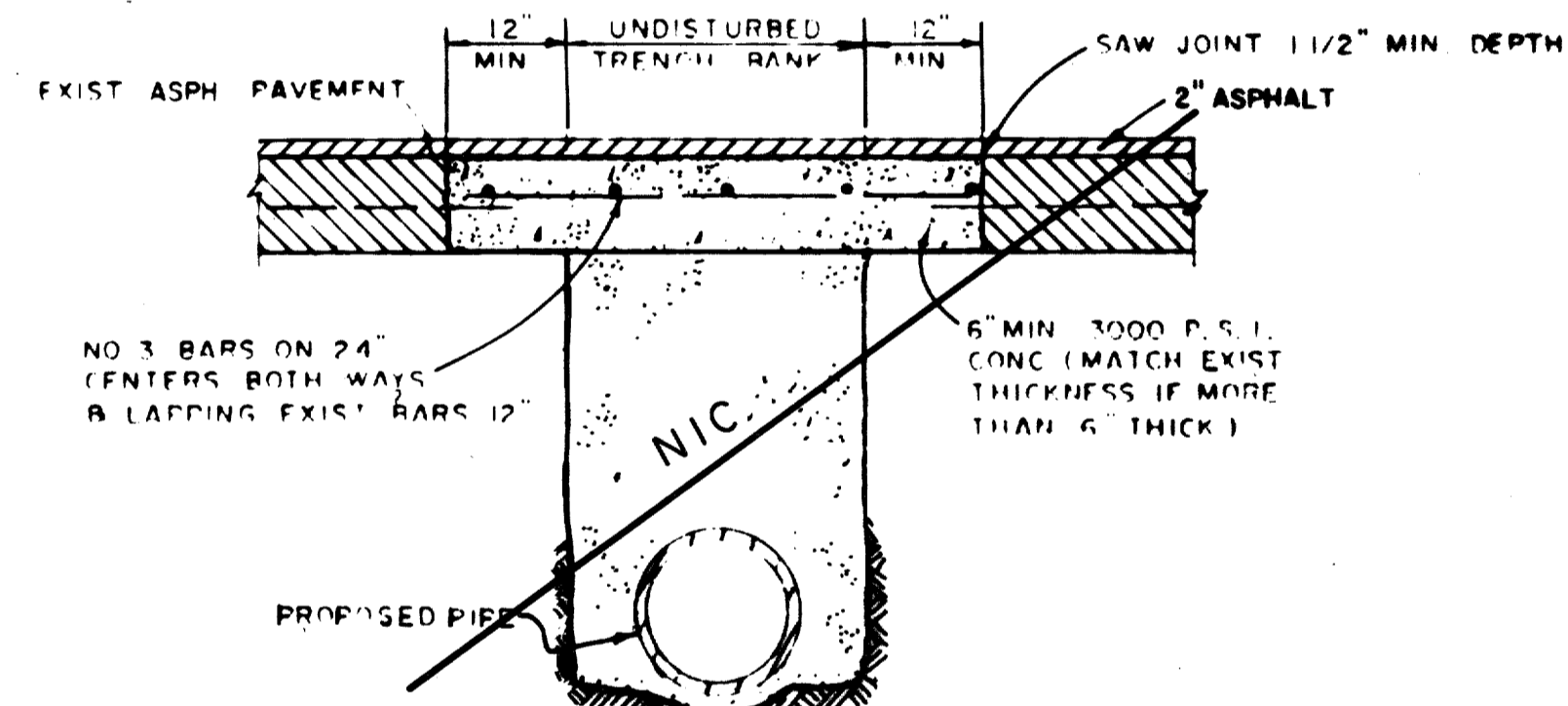
DETAIL OF UTILITY SUPPORT



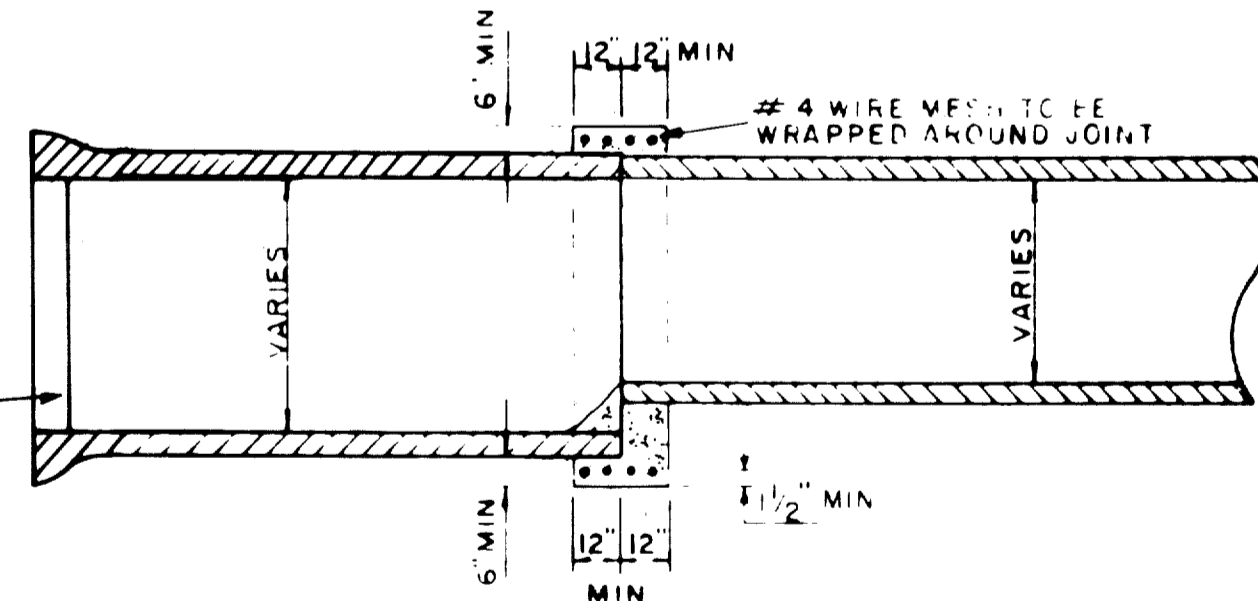
DETAIL FOR WATER MAIN LOWERING



CONCRETE STREET OR DRIVEWAY REPAIR

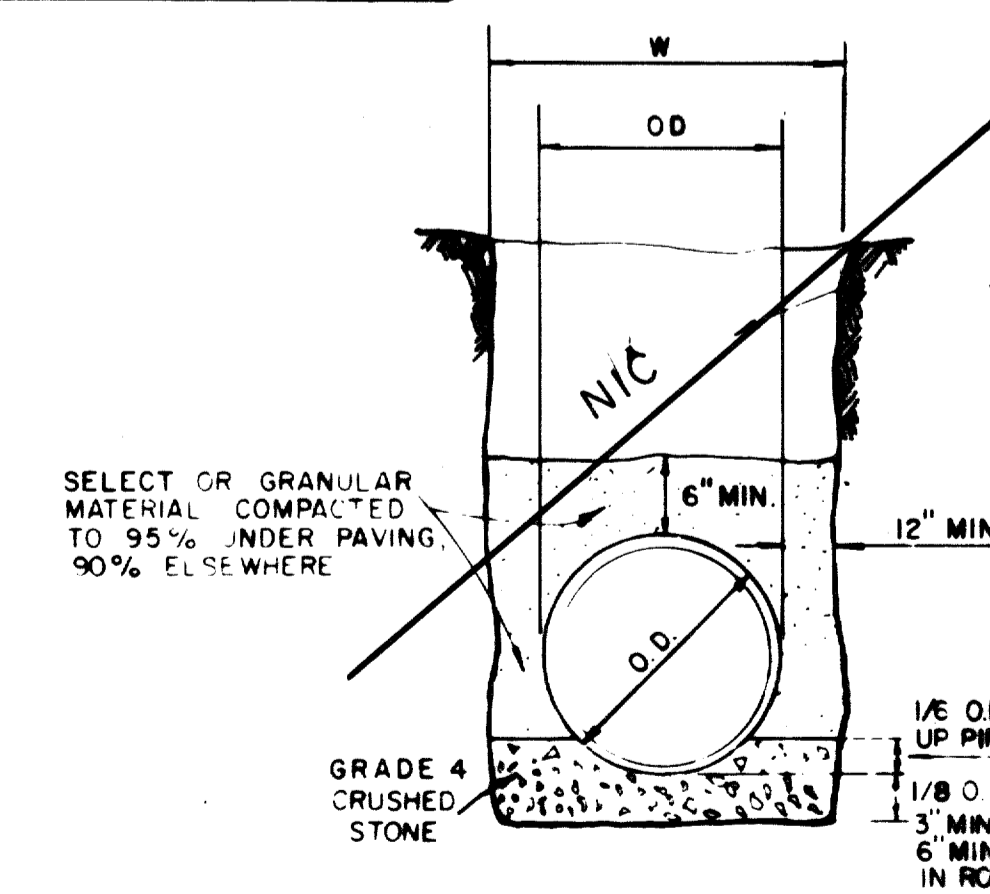


ASPHALT STREET OR DRIVEWAY REPAIR



DETAIL OF CONCRETE COLLAR FOR PIPE CONNECTIONS

ALL STORM SEWER PIPE PLUGS SHALL BE CONCRETE



STORM SEWER PIPE BEDDING DETAIL

DEPTH OF TRENCH BELOW PIPE:
3" MIN. FOR 27" PIPE & SMALLER
4" MIN. FOR 30" TO 60" PIPE
6" MIN. FOR 66" PIPE & LARGER

SETTLED OR COMPACTED BACKFILL SEE SPECIAL PROVISIONS

AS-BUILTS

I CERTIFY THIS PROJECT WAS CONSTRUCTED IN GENERAL CONFORMANCE WITH THESE CONSTRUCTION PLANS AND WILL FUNCTION AS DESIGNED.



NO.	REVISION	BY

TOWN OF ADDISON
DEPARTMENT OF ENGINEERING
STANDARD CONSTRUCTION DETAILS
STORM DRAINAGE
MANHOLES & STORM SEWER

DATE: _____ SHEET 12