

EXISTING UTILITY LOCATIONS SHOWN ARE SCHEMATIC IN NATURE AND MAY NOT ACCURATELY REFLECT THE SIZE AND LOCATION OF EACH PARTICULAR UTILITY. SOME UTILITY LINES MAY NOT BE SHOWN. CONTRACTOR SHALL ASSUME RESPONSIBILITY FOR ACTUAL FIELD LOCATION AND PROTECTION OF ALL EXISTING UTILITIES WHETHER SHOWN OR NOT. CONTRACTOR SHALL ALSO ASSUME RESPONSIBILITY FOR REPAIRS TO EXISTING UTILITIES, WHETHER SHOWN OR NOT, DAMAGED BY CONTRACTOR'S ACTIVITIES. DIFFERENCES IN HORIZONTAL OR VERTICAL LOCATION OF EXISTING UTILITIES SHALL NOT BE A BASIS FOR ADDITIONAL COMPENSATION. CALL 1-800-344-8377 TWO WORKING DAYS PRIOR TO CONSTRUCTION FOR ONSITE LOCATIONS.

LEGEND

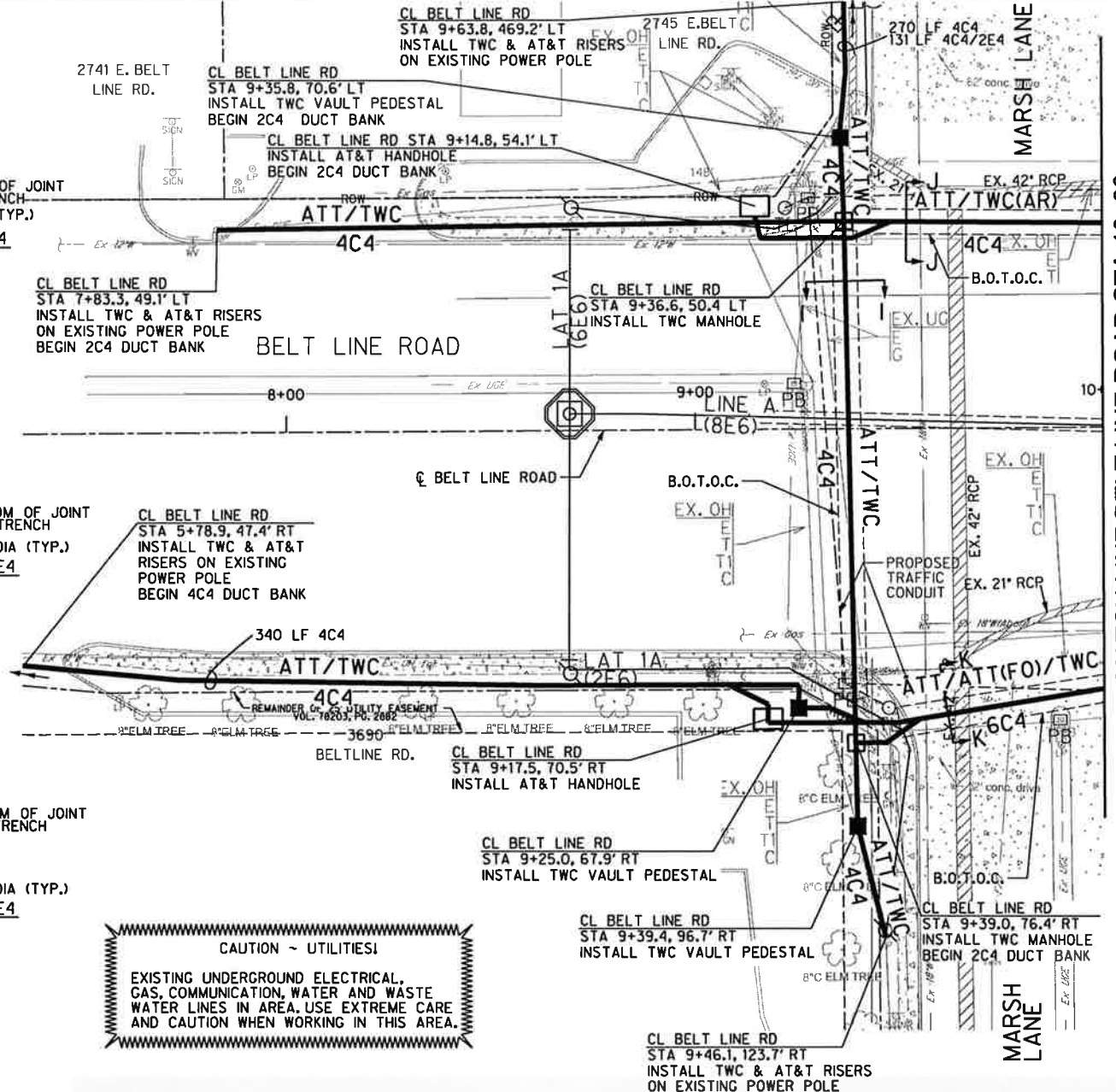
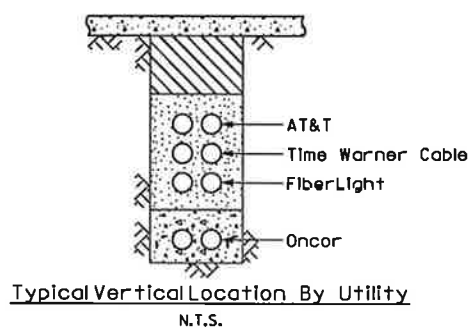
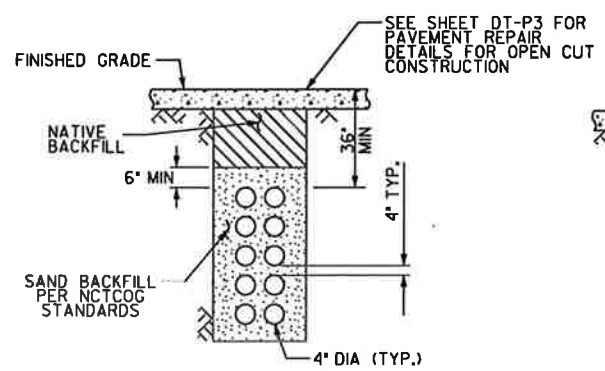
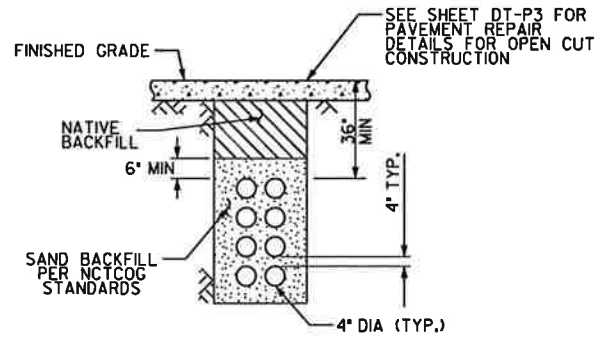
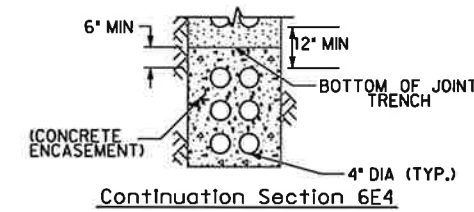
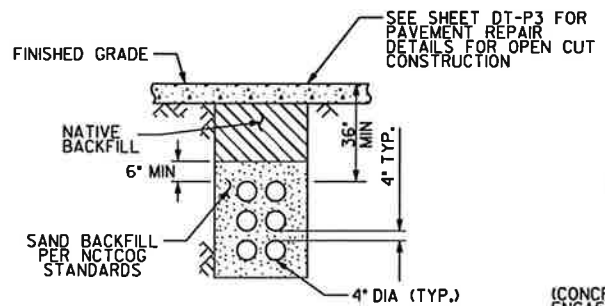
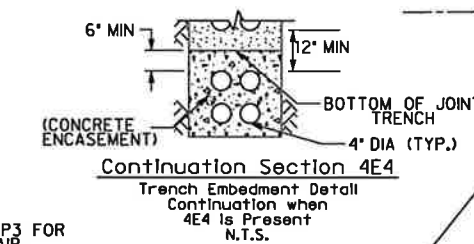
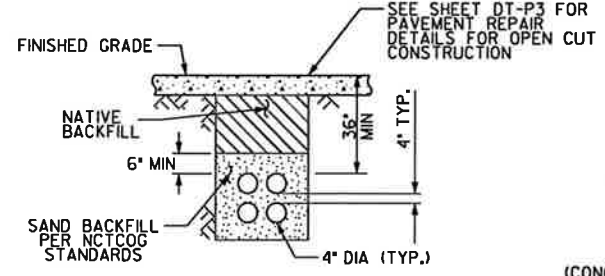
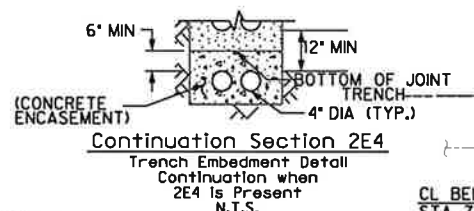
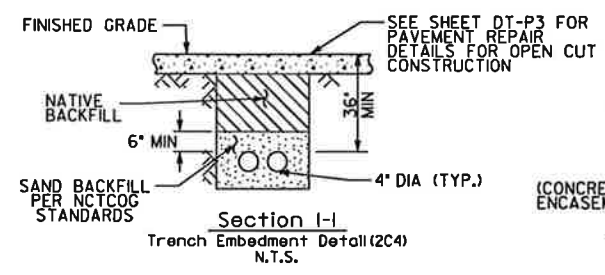
- ONCOR SEE ONCOR DUCT BANK PLAN SHEETS FOR ONCOR LOAD CABLES TO BE LOCATED IN JOINT TRENCH.
- ATT PROPOSED AT&T TELEPHONE LINE (2- 4" PVC)
- ATT(FO) PROPOSED AT&T FIBER OPTIC LINE (2- 4" PVC)
- FL PROPOSED FIBERLIGHT LINE (2- 4" PVC)
- TWC PROPOSED TIME WARNER CABLE LINE REQUIRED TO REPLACE EXISTING TIME WARNER CABLE (2-4" PVC)
- TWC(AR) ADDITIONAL REQUESTED PROPOSED TIME WARNER CABLE LINE (2-4" PVC)
- PROPOSED TIME WARNER PULL BOX
- PROPOSED TIME WARNER PEDESTAL/VAULT
- PROPOSED AT&T HANDHOLE
- PROPOSED FIBERLIGHT HANDHOLE

ATT/TWC/FL/ONCOR PROPOSED AT&T, TIME WARNER CABLE ONCOR AND FIBERLIGHT LINE IN JOINT TRENCH

BY OTHER THAN OPEN CUT

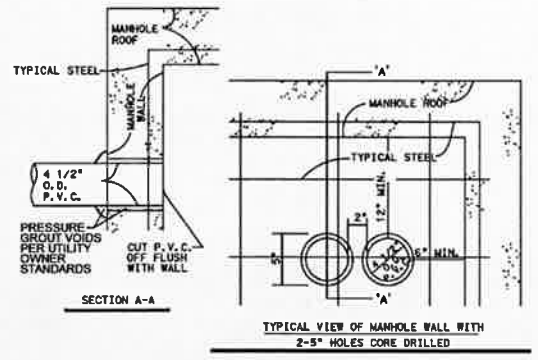
B.O.T.O.C.

NOTE:
1. ALL LINES TO BE INSTALLED BY OPEN CUT UNLESS OTHERWISE NOTED.

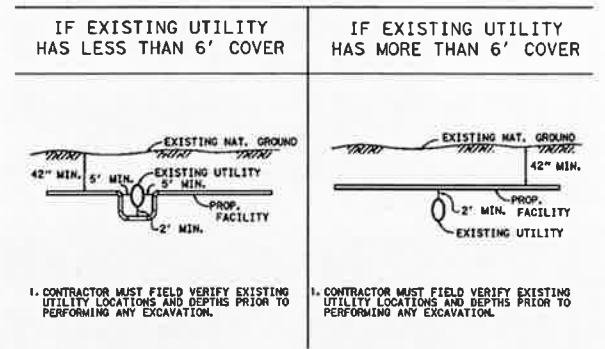


CAUTION - UTILITIES!
EXISTING UNDERGROUND ELECTRICAL, GAS, COMMUNICATION, WATER AND WASTE WATER LINES IN AREA. USE EXTREME CARE AND CAUTION WHEN WORKING IN THIS AREA.

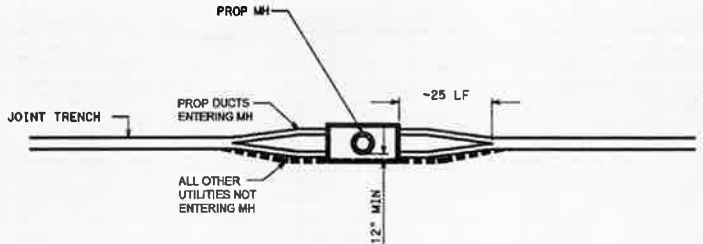
TYPICAL CORE DRILL DETAIL



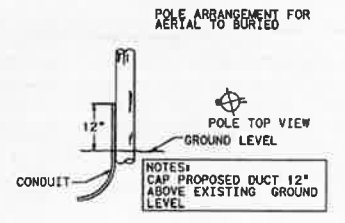
STANDARD REQUIREMENTS FOR UTILITY CROSSINGS



TYPICAL UTILITY CIRCUMVENT DETAIL



TYPICAL RISER DETAIL



WAITING ON DESIGN AT&T FIBERLIGHT TIME WARNER



Signature of Registrant: *Charles Moran* Date: 12-19-2013

FIRM REGISTRATION NUMBER: 312

| NO. | REVISION | BY | DATE |
|--|----------|-------|-----------|
| <p>TOWN OF ADDISON DALLAS COUNTY, TEXAS</p> <p>BELT LINE ROAD UNDERGROUND ELECTRICAL</p> <p>TELECOM RELOCATION PLAN BELT LINE RD BEGIN TO STA 10+00</p> | | | |
| <p>HALFF 1201 NORTH BOWSER ROAD, RICHARDSON, TEXAS 75081-2275 TEL (214) 348-8200 FAX (214) 738-0095</p> | | | |
| PROJECT | DESIGN | DRAWN | DATE |
| 29350 | HALFF | HALFF | NOV. 2013 |
| FILE | SHEET | | |
| 29350 TEL 00 | TEL-0 | | |