

DISCLAIMER: The use of this standard is governed by the "Texas Engineering Practice Act". No warranty of any kind is made by TxDOT for any purpose whatsoever. TxDOT assumes no responsibility for the conversion of this standard to other formats or for incorrect results or damages resulting from its use.

SIGN SUPPORT DESCRIPTIVE CODES

(Descriptive Codes correspond to project estimate and quantities sheets)

SM RD SGN ASSM TY XXXXX (X) XX (X-XXXX)

Post Type _____
 FRP = Fiberglass Reinforced Plastic Pipe (see SMD (FRP))
 TWT = Thin-Walled Tubing (see SMD (TWT))
 10BWG = 10 BWG Tubing (see SMD (SLIP-1) to (SLIP-3))
 S80 = Schedule 80 Pipe (see SMD (SLIP-1) to (SLIP-3))

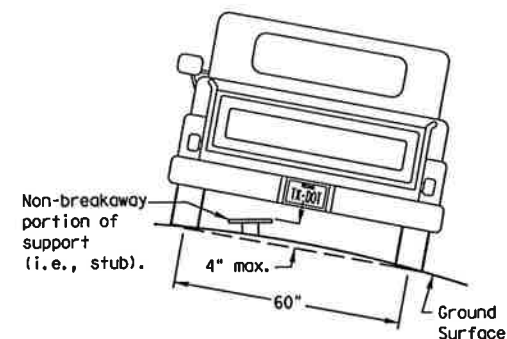
Number of Posts (1 or 2) _____

Anchor Type _____
 UA = Universal Anchor - Concreted (see SMD (FRP) and (TWT))
 UB = Universal Anchor - Bolted down (see SMD (FRP) and (TWT))
 WS = Wedge Anchor Steel - (see SMD (TWT))
 WP = Wedge Anchor Plastic (see SMD (TWT))
 SA = Slipbase - Concreted (see SMD (SLIP-1) to (SLIP-3))
 SB = Slipbase - Bolted Down (see SMD (SLIP-1) to (SLIP-3))

Sign Mounting Designation _____

P = Prefab. "Plain" (see SMD (SLIP-1) to (SLIP-3), (TWT), (FRP))
 T = Prefab. "T" (see SMD (SLIP-1) to (SLIP-3), (TWT))
 U = Prefab. "U" (see SMD (SLIP-1) to (SLIP-3))
 IF REQUIRED
 1EXT or 2EXT = Number of Extensions (see SMD (SLIP-1) to (SLIP-3), (TWT))
 BM = Extruded Wind Beam (see SMD (SLIP-1) to (SLIP-3))
 WC = 1.12 #/ft Wing Channel (see SMD (SLIP-1) to (SLIP-3))
 EXAL = Extruded Aluminum Sign Panels (see SMD (SLIP-3))

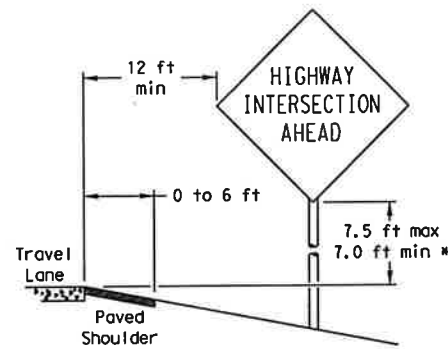
REQUIRED CLEARANCE FOR BREAKAWAY SUPPORT



To avoid vehicle undercarriage snagging, any substantial remains of a breakaway support, when it is broken away, should not project more than 4 inches above a 60-inch chord (i.e., typical space between wheel paths).

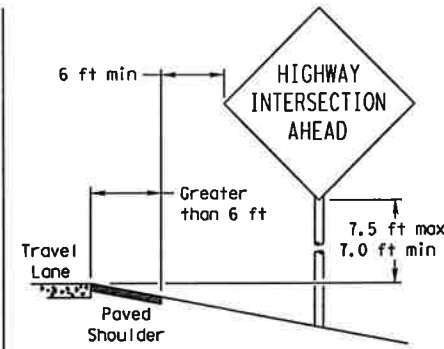
SIGN LOCATION

PAVED SHOULDERS



LESS THAN 6 FT. WIDE

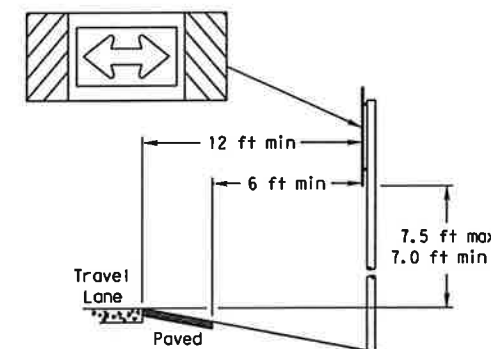
When the shoulder is 6 ft. or less in width, the sign must be placed at least 12 ft. from the edge of the travel lane.



GREATER THAN 6 FT. WIDE

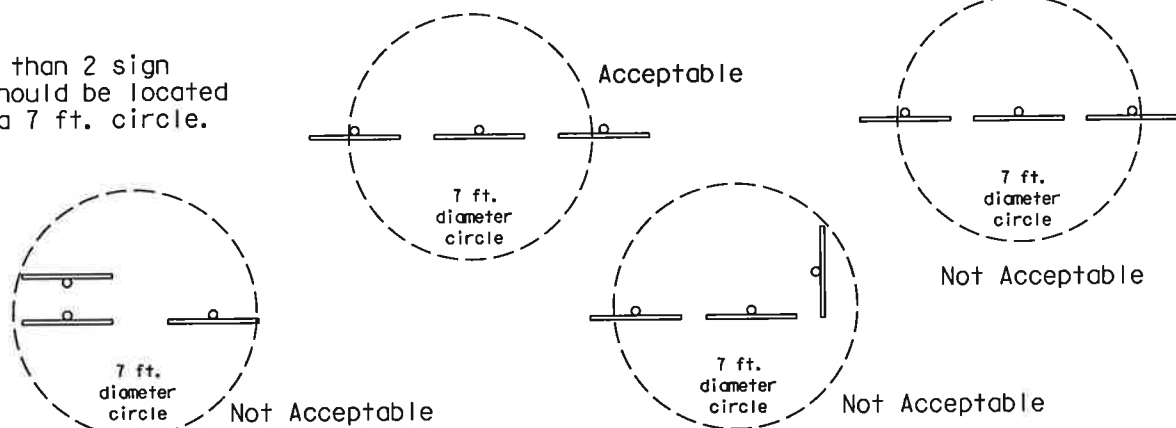
When the shoulder is greater than 6 ft in width, the sign must be placed at least 6 ft. from the edge of the shoulder.

T-INTERSECTION

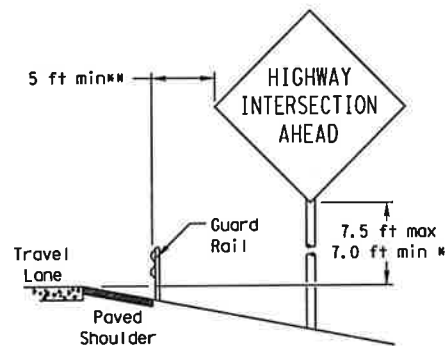


When this sign is needed at the end of a two-lane, two way roadway, the right edge of the sign should be in line with the centerline of the roadway. Place as close to ROW as practical.

No more than 2 sign posts should be located within a 7 ft. circle.

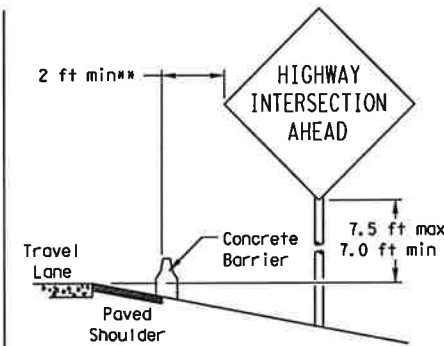


BEHIND BARRIER

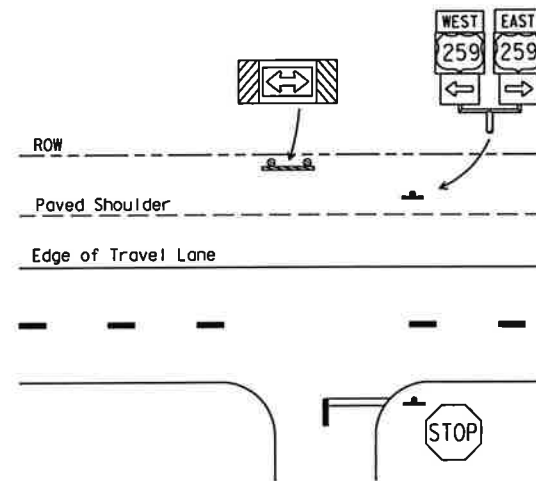


BEHIND GUARDRAIL

**Sign clearance based on distance required for proper guard rail or concrete barrier performance.



BEHIND CONCRETE BARRIER



* Signs shall be mounted using the following condition that results in the greatest sign elevation:

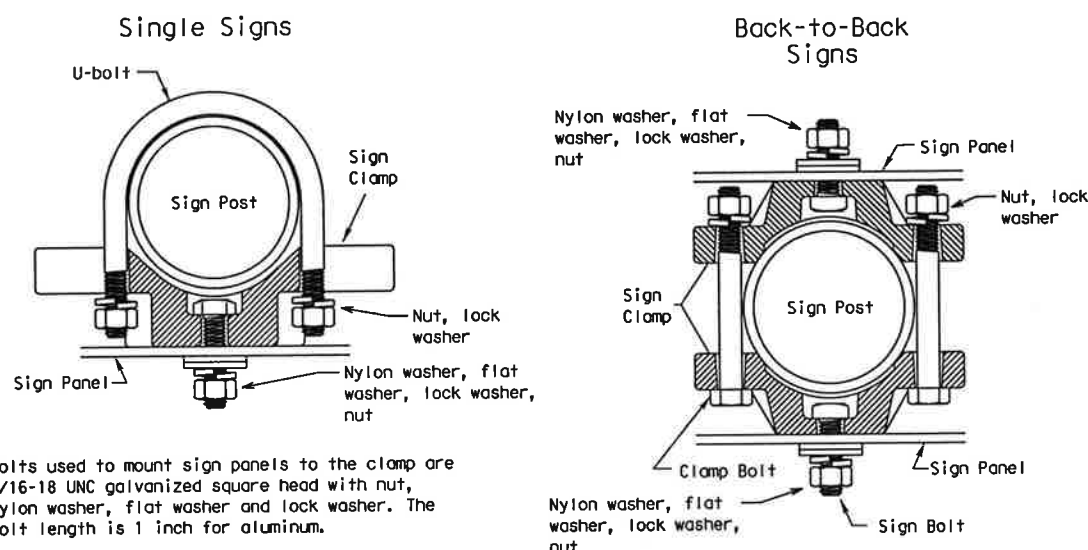
- (1) a minimum of 7 to a maximum of 7.5 feet above the edge of the travel lane or
- (2) a minimum of 7 to a maximum of 7.5 feet above the grade at the base of the support when sign is installed on the backslope.

The maximum values may be increased when directed by the Engineer.

See the Traffic Operations Division website for detailed drawings of sign clamps, Triangular Slipbase System components and Wedge Anchor System components.

The website address is:
<http://www.txdot.gov/publications/traffic.htm>

TYPICAL SIGN ATTACHMENT DETAIL



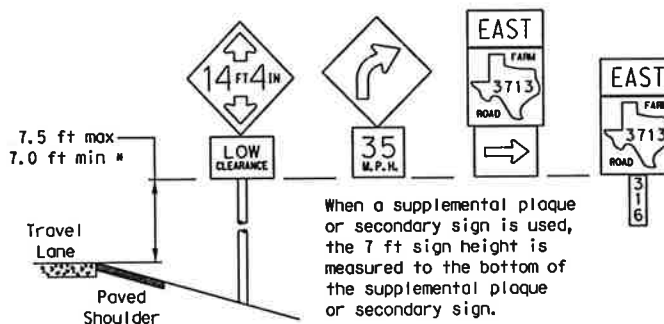
Bolts used to mount sign panels to the clamp are 5/16-18 UNC galvanized square head with nut, nylon washer, flat washer and lock washer. The bolt length is 1 inch for aluminum.

When two sign clamps are used to mount signs back-to-back, use a 5/16-18 UNC galvanized hex head per ASTM A307 with nut and helical-spring lock washer. The approximate bolt lengths for various post sizes and sign clamp types are given in the table at right. The bolt length may need to be adjusted depending upon field conditions.

Sign clamps may be either the specific size clamp or the universal clamp.

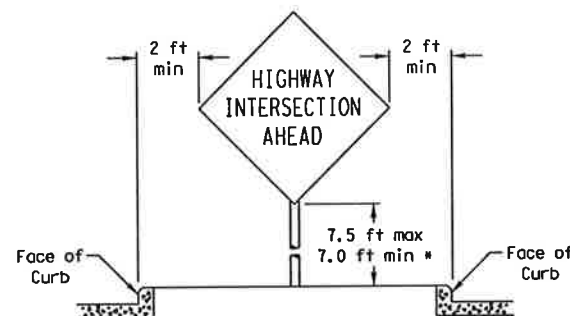
Pipe Diameter	Approximate Bolt Length	
	Specific Clamp	Universal Clamp
2" nominal	3"	3 or 3 1/2"
2 1/2" nominal	3 or 3 1/2"	3 1/2 or 4"
3" nominal	3 1/2 or 4"	4 1/2"

SIGNS WITH PLAQUES

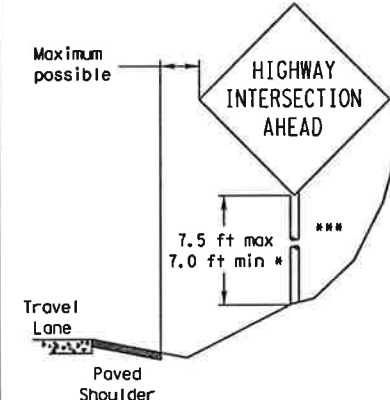


When a supplemental plaque or secondary sign is used, the 7 ft sign height is measured to the bottom of the supplemental plaque or secondary sign.

CURB & GUTTER OR RAISED ISLAND



RESTRICTED RIGHT-OF-WAY (When 6 ft min. is not possible.)



Right-of-way restrictions may be created by rocks, water, vegetation, forest, buildings, a narrow island, or other factors.

In situations where a lateral restriction prevents the minimum horizontal clearance from the edge of the travel lane, signs should be placed as far from the travel lane as practical.

*** Post may be shorter if protected by guardrail or if Engineer determines the post could not be hit due to extreme slope.

Texas Department of Transportation
 Traffic Operations Division

SIGN MOUNTING DETAILS SMALL ROADSIDE SIGNS GENERAL NOTES & DETAILS

SMD (GEN) -08

© TxDOT July 2002	DN: TxDOT	CK: TxDOT	DR: TxDOT	CR: TxDOT
9-08	REVISIONS	CONT	SECT	JOB
				HIGHWAY
		DIST	COUNTY	SHEET NO.