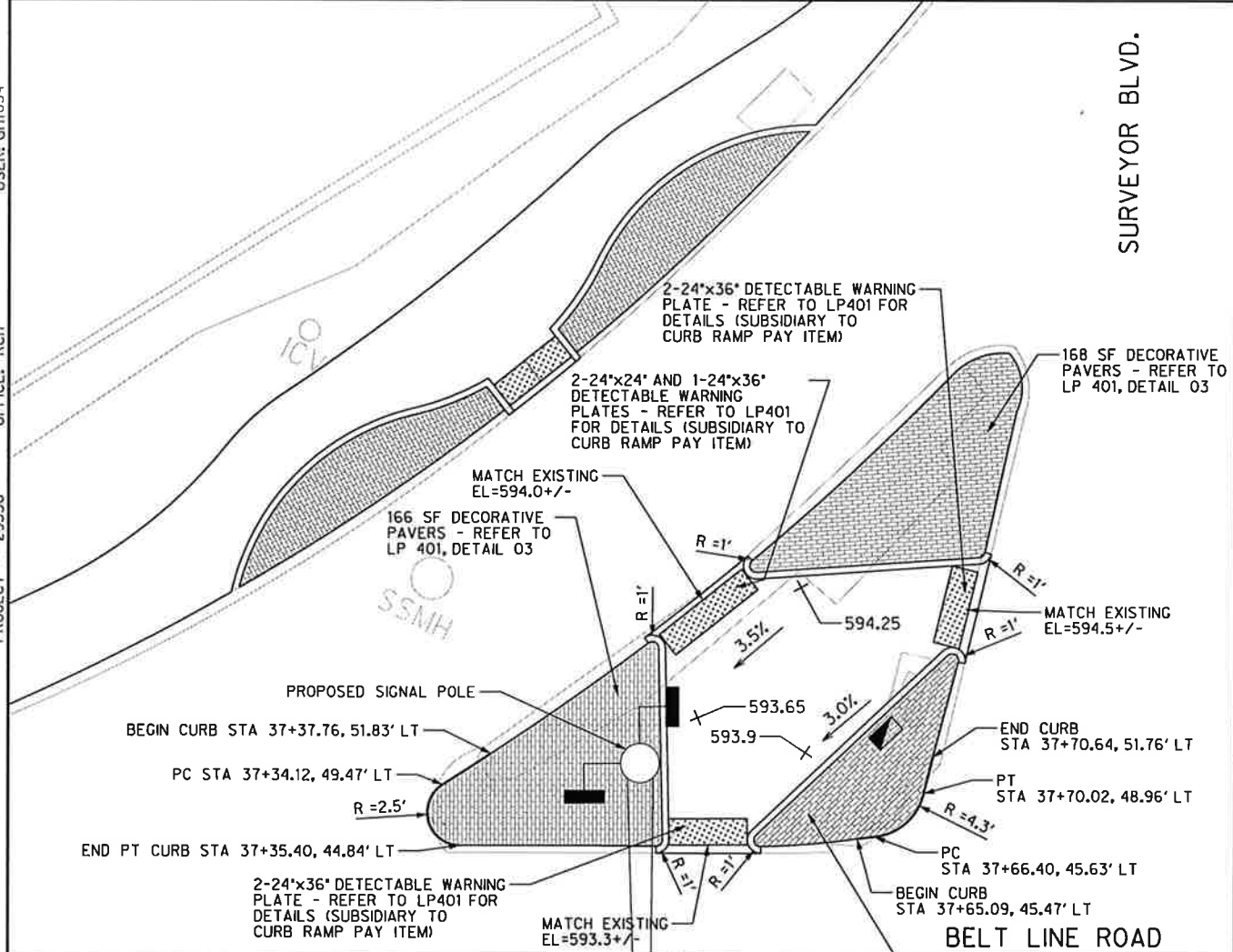
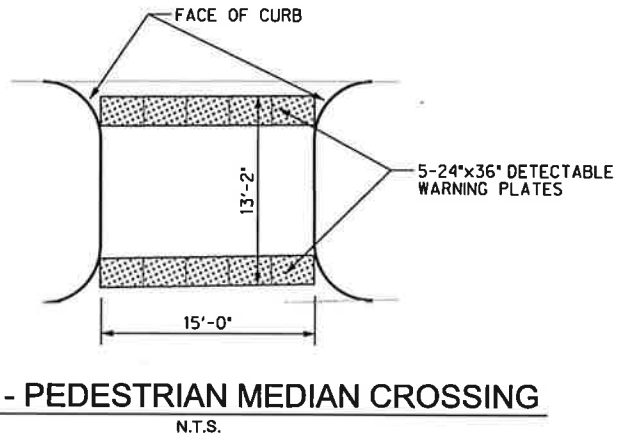
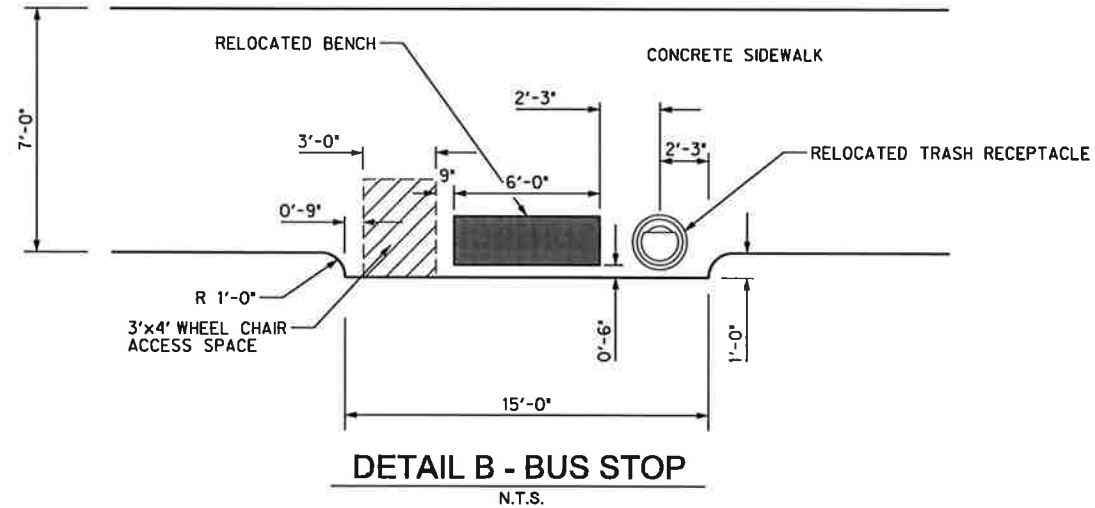
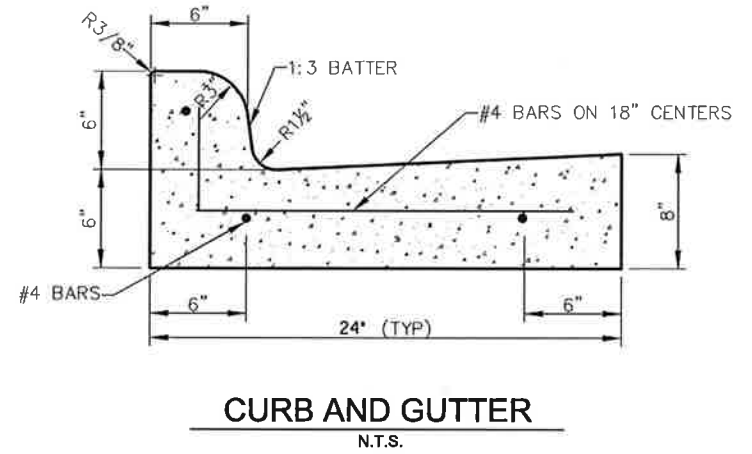
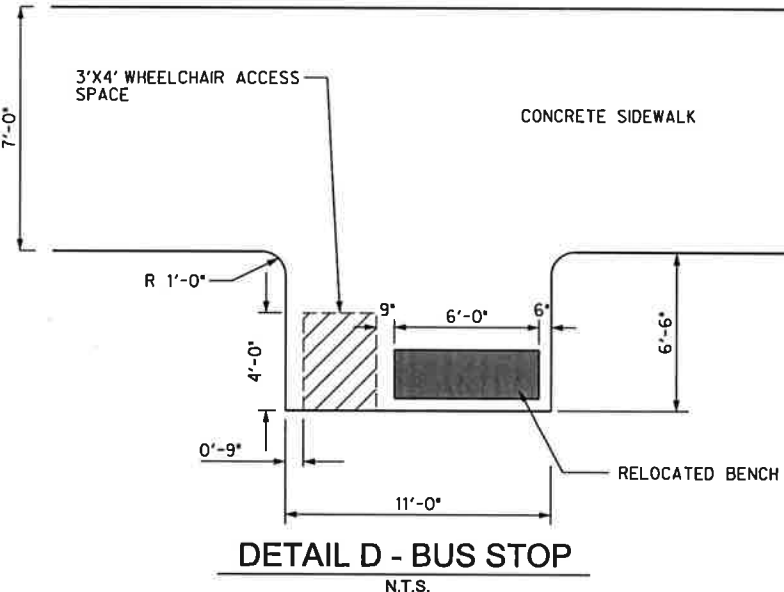
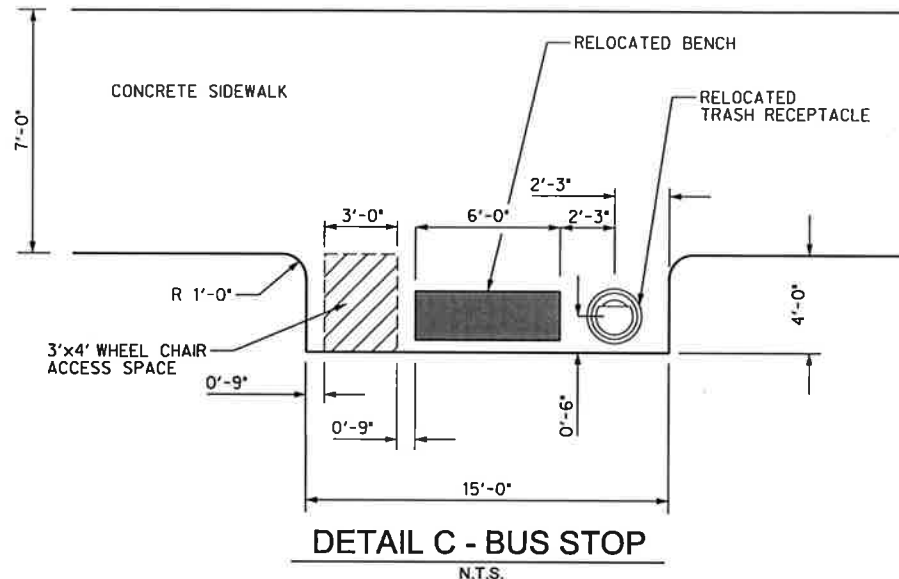



SURVEYOR BLVD.



DETAIL A - ISLAND CURB RAMP



N.T.S.



M.R.  *10/23/13*

Signature of Registrant Date

FIRM REGISTRATION NUMBER: 312

NO.	REVISION	BY	DATE
 TOWN OF ADDISON DALLAS COUNTY, TEXAS BELT LINE ROAD UNDERGROUND ELECTRICAL PAVEMENT DETAILS			
 HALFF 1201 NORTH BOWSER ROAD, RICHARDSON, TEXAS 75081-2275 TEL (214) 346-8200 FAX (214) 739-0095			
PROJECT	DESIGN	DRAWN	DATE
29350	HALFF	HALFF	OCT. 2013
FILE	SHEET		
29350 DTPV 02	DT-P2		