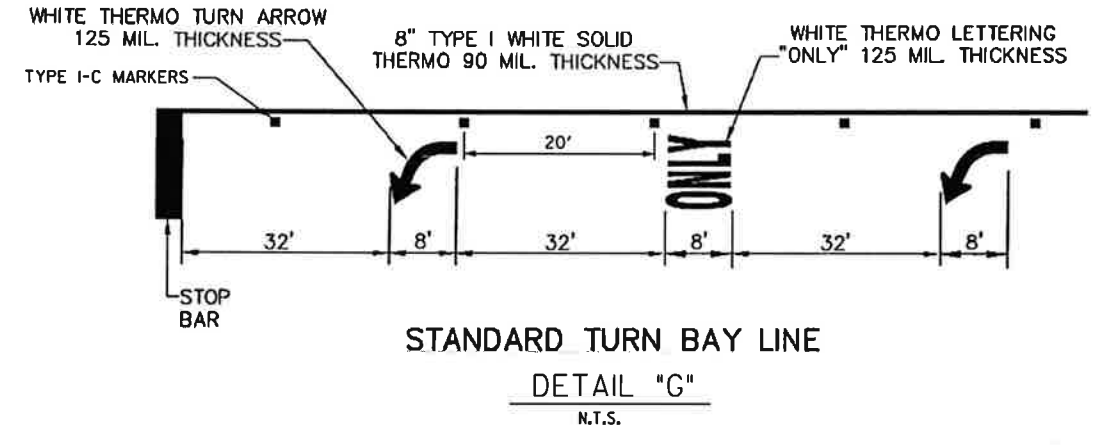
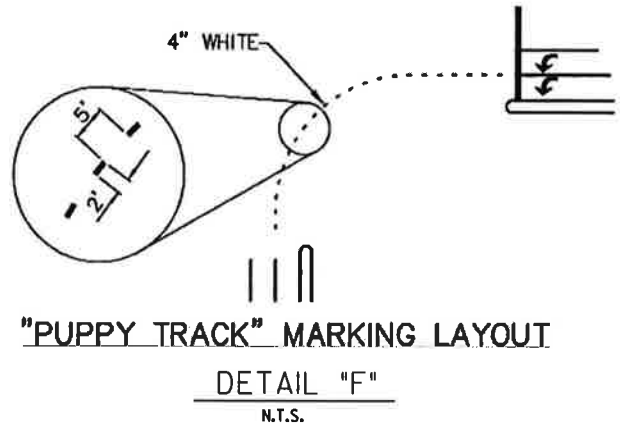
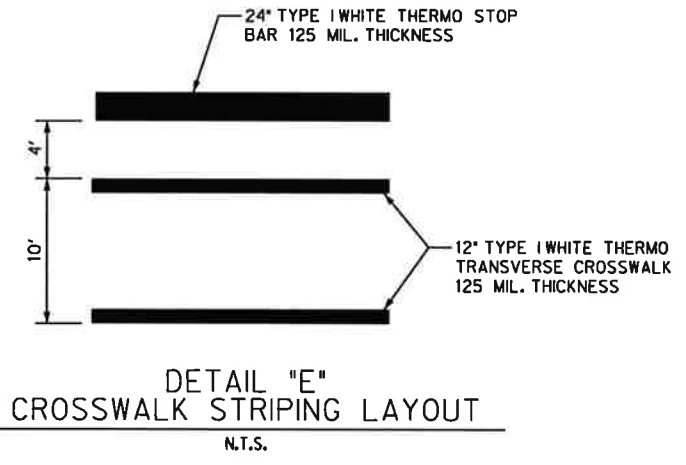
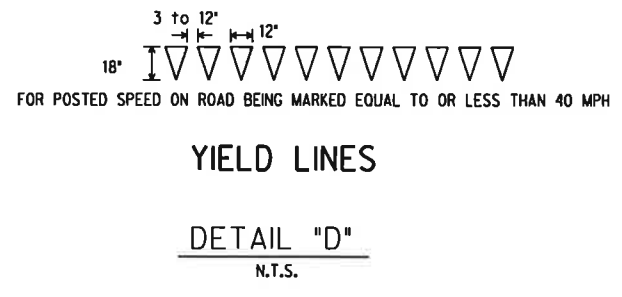
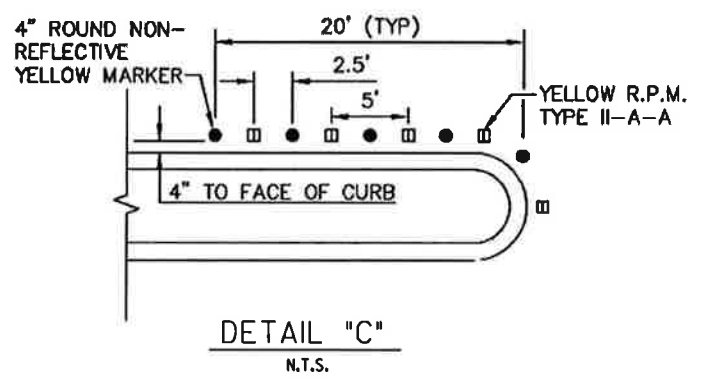
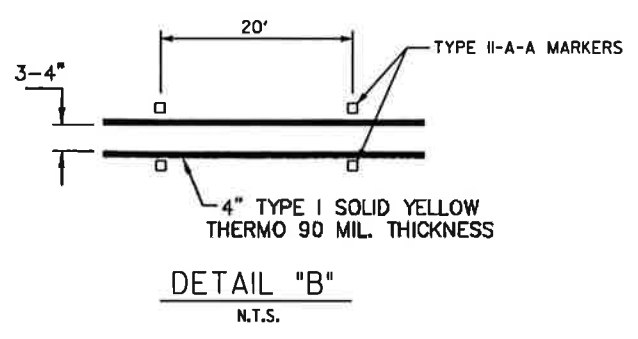
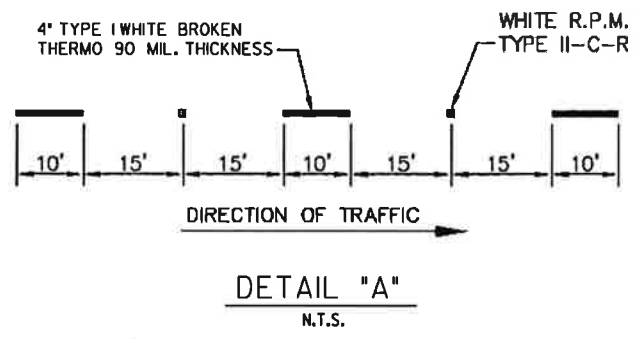



DATE: 10/24/2013 TIME: 3:12:51 PM FILE: 29350 DTSN 01.dgn PROJECT: 29350 OFFICE: RCH USER: oh1299




 Signature of Registrant: *M.E. Romanowski* Date: 10/25/13
 FIRM REGISTRATION NUMBER: 312

NO.	REVISION	BY	DATE
ADDISON TOWN OF ADDISON DALLAS COUNTY, TEXAS BELT LINE ROAD UNDERGROUND ELECTRICAL PAVEMENT MARKING DETAILS			
HALFF 1201 NORTH BOWSER ROAD, RICHARDSON, TEXAS 75081-2275 TEL (214) 346-6200 FAX (214) 738-0095			
PROJECT	DESIGN	DRAWN	DATE
29350	HALFF	HALFF	OCT. 2013
FILE	SHEET		
29530 DTSN 01	DT-PM		