

NOTE: CONTRACTOR TO VERIFY QUANTITY, TYPE, SIZE, AND LOCATION OF ALL ONCOR EQUIPMENT AND APPURTENANCES PRIOR TO INSTALLATION, INCLUDING, BUT NOT LIMITED TO: SWITCH GEARS, TRANSFORMERS, METERS, POWER POLES, PULL BOXES, AND MANHOLES.

USER: dh1854

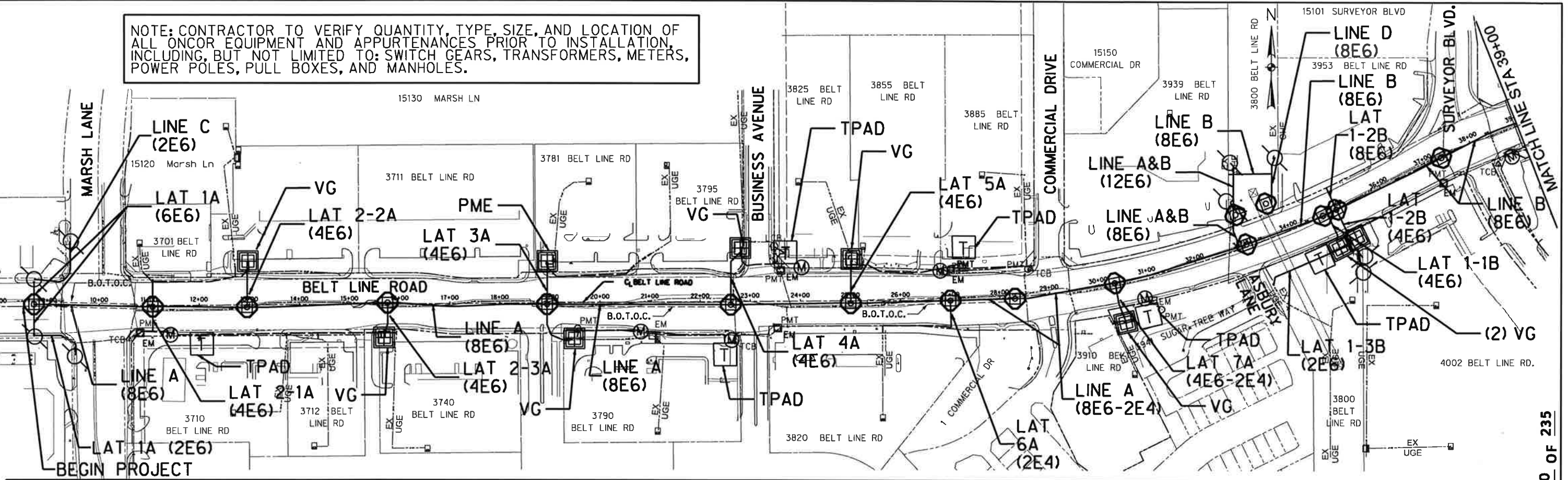
OFFICE: RCH

PROJECT: 29350

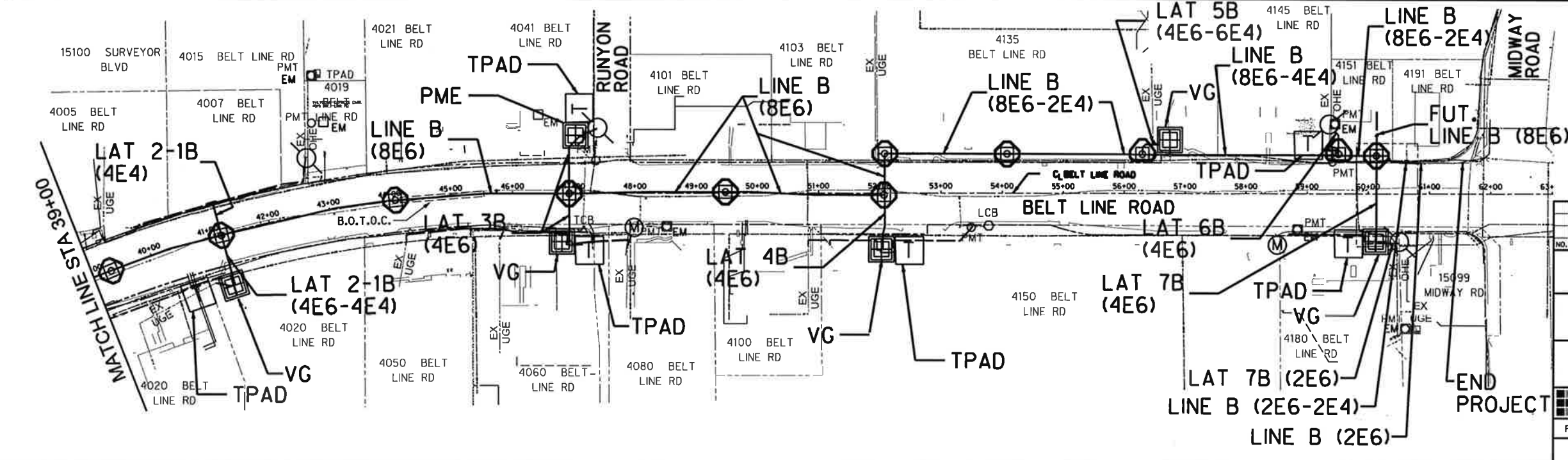
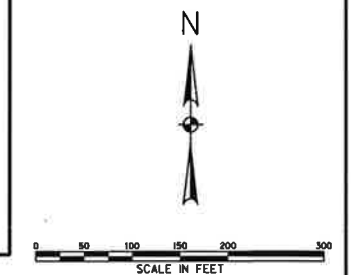
FILE: 29350_DCTB_01.dgn

TIME: 2:37:53 PM

DATE: 11/8/2013



<p> PROPOSED VISTA GEAR (VG) OR PME SWITCHGEAR AND PAD (SWITCHGEAR TO BE INSTALLED BY OTHERS)</p> <p> PROPOSED TRANSFORMER AND PAD (TRANSFORMER TO BE INSTALLED BY OTHERS)</p> <p> PROPOSED ELECTRICAL DUCT BANK MANHOLE 3-WAY 4-WAY</p> <p> PROPOSED RISER AND POWERPOLE (ONCOR TO INSTALL POWERPOLE)</p> <p> PROPOSED CABINET FOR ONCOR PROVIDED METER</p>	<p>LEGEND</p> <p> PROPOSED ELECTRIC DUCT BANK BY OTHER THAN OPEN CUT</p> <p> PROPOSED ELECTRICAL SOURCE DUCT BANK BY OPEN CUT</p> <p> PROPOSED ELECTRICAL LOAD CABLE DUCT BANK</p>	<p> EXISTING POLE MOUNTED TRANSFORMER</p> <p> EXISTING ELECTRIC METER</p> <p> EXISTING TRAFFIC SIGNAL CONTROL BOX</p> <p> EXISTING LIGHTING CONTROL BOX</p> <p> EXISTING TRANSFORMER (PAD MOUNTED)</p> <p> EXISTING UNDERGROUND ELECTRIC SERVICE</p>
---	---	--



Signature of Registrant: *Charles Barthell Morin* P.E. 11-8-2013
 Date: 11-8-2013
 FIRM REGISTRATION NUMBER: 312

NO.	REVISION	BY	DATE
TOWN OF ADDISON DALLAS COUNTY, TEXAS BELT LINE ROAD UNDERGROUND ELECTRICAL ONCOR DUCT BANK KEYMAP			
HALFF 1201 NORTH BOWSER ROAD, RICHARDSON, TEXAS 75081-2275 TEL. (214) 346-8200 FAX (214) 739-0095			
PROJECT	DESIGN	DRAWN	DATE
29350	HALFF	HALFF	NOV. 2013
FILE	SHEET		
29350 DCTB 01	DCB-1		

SHEET 70 OF 235