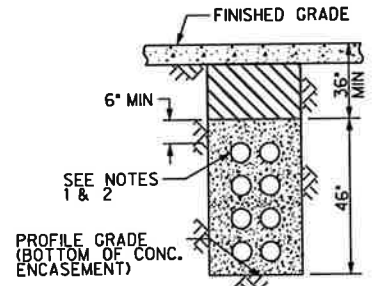


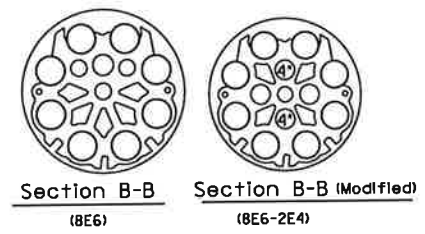
USER: ghl770
 OFFICE: DAL
 PROJECT #: 29350
 FILE: 29350 ELEC 00.dgn
 DATE: 12/19/2013
 TIME: 11:23:54 AM

LEGEND

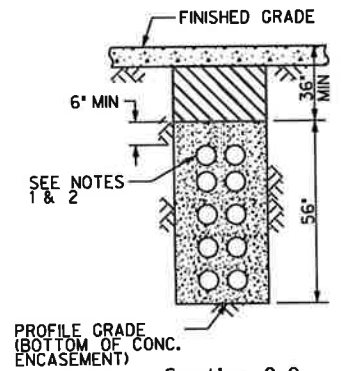
- 2WxH 2-6" SPACERS WIDE BY # OF 6" SPACERS HIGH FOR TRENCH SECTIONS
- *E6 NUMBER OF 6" ELECTRICAL CONDUITS
- *E4 NUMBER OF 4" ELECTRICAL CONDUITS
- *E2 NUMBER OF 2" ELECTRICAL CONDUITS



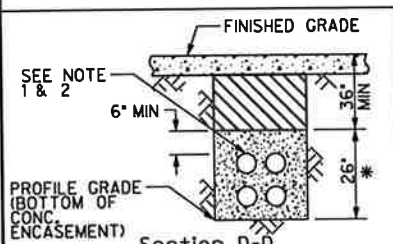
Section A-A
 Trench Embedment Detail (2Wx4H)
 (Refer to Oncor Details and Specs)
 N.T.S.
 4E6-2E4-2E2
 8E6



Section B-B (8E6)
Section B-B (Modified) (8E6-2E4)



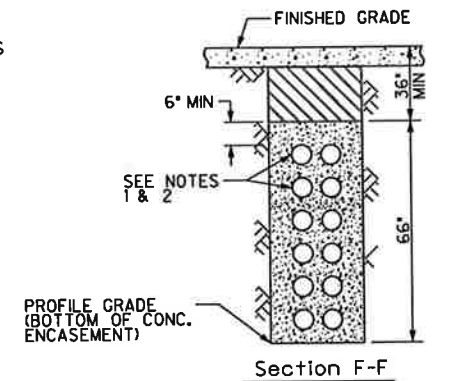
Section C-C
 Trench Embedment Detail (2Wx5H)
 (Refer to Oncor Details and Specs)
 N.T.S.
 8E6-2E4
 4E6-6E4



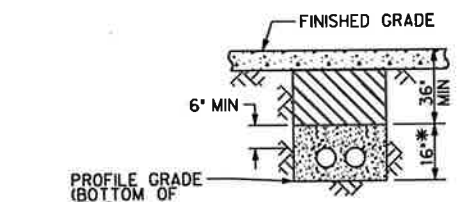
Section D-D
 Trench Embedment Detail (2Wx2H)
 (Refer to Oncor Details and Specs)
 N.T.S.
 *4E6
 *2E4-2E2
 *2E6-2E4
 4E4



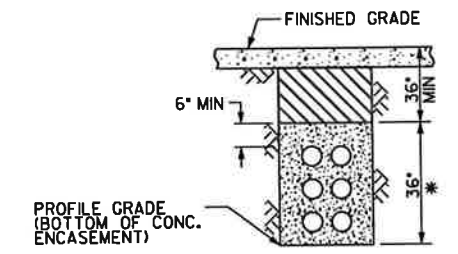
Section D-D (Alternative)
 Encasement Pipe Detail (4E6)
 (See Note 3)
 N.T.S.



Section F-F
 Trench Embedment Detail (2Wx6H)
 (Refer to Oncor Details and Specs)
 12E6
 8E6-4E4

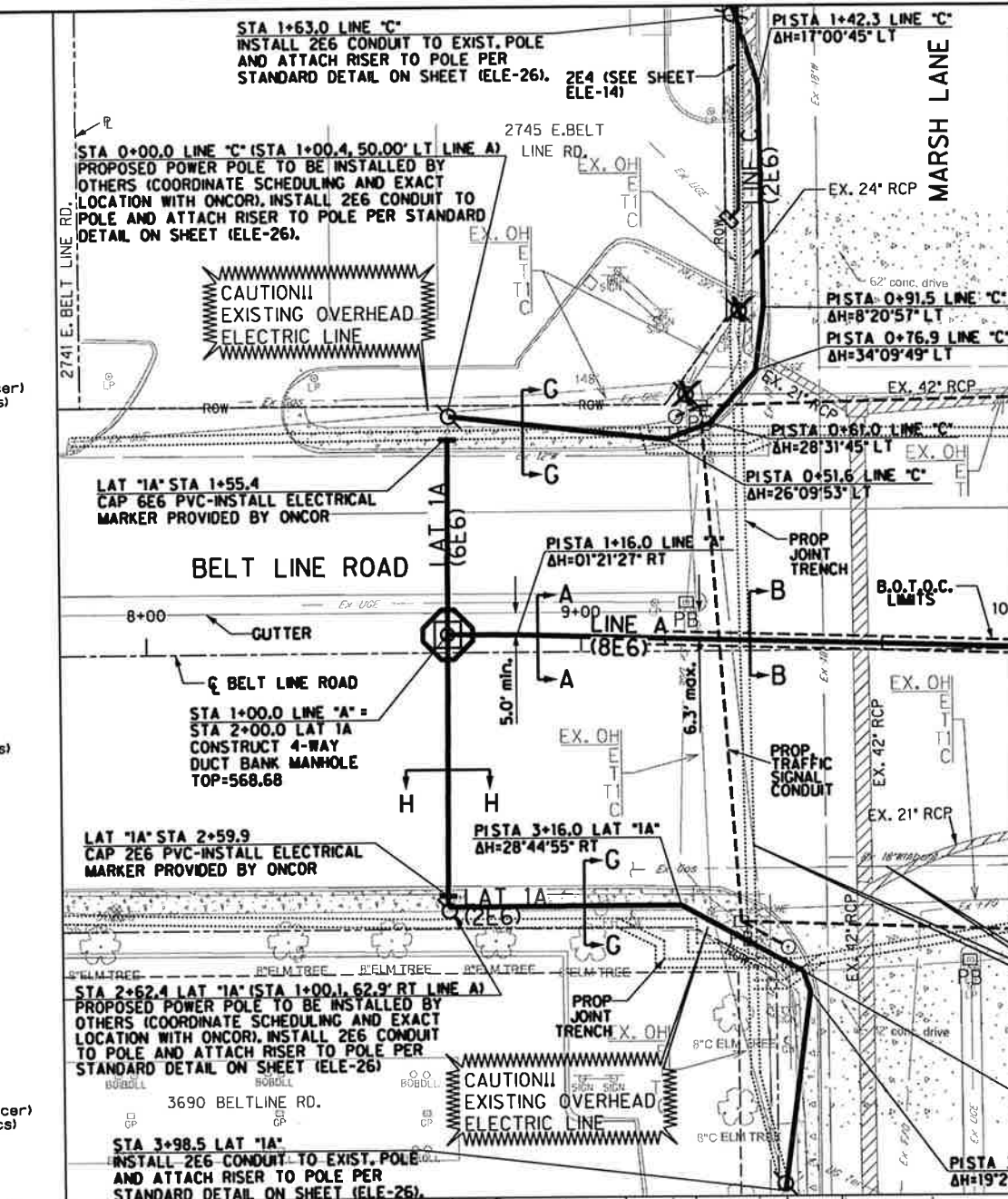


Section G-G
 Trench Embedment Detail (2E6)
 (Refer to Oncor Details and Specs)
 N.T.S.
 2E2
 2E4
 2E6*



Section H-H
 Trench Embedment Detail (2Wx3H)
 (Refer to Oncor Details and Specs)
 N.T.S.
 6E4
 6E6*
 4E6-2E4*

- 1 USE REDUCER TO INSTALL 4" PVC CONDUIT INSIDE 6" SPACER - WHERE E4 IS SPECIFIED FOR DUCT. QUANTITY AS SPECIFIED ON PLANS.
- 2 USE REDUCER TO INSTALL 2" PVC CONDUIT INSIDE 6" SPACER - WHERE E2 IS SPECIFIED FOR DUCT. QUANTITY AS SPECIFIED ON PLANS.
- 3 STEEL ENCASUREMENT PIPE SIZES SHOWN ARE APPROXIMATE AND SHALL BE AS REQUIRED FOR CONSTRUCTION AND RECOMMENDED BY PIPE SPACER MANUFACTURER. PIPE SPACERS SHALL BE DESIGNED AND SUPPLIED BY UNDERGROUND DEVICES, INC. OR APPROVED EQUAL.
- 4 SEE SHEET DT-P3 FOR PAVEMENT REPAIR AND TRENCH BACK-FILL REQUIREMENTS.
- 5 MINIMUM DEPTH TO TOP OF CONCRETE ENCASED DUCT BANK OR STEEL ENCASED PIPE SHALL BE 36" FOR THIS PROJECT. THIS REQUIREMENT SHALL SUPERSEDE THIS 30" MIN. DIMENSION NOTED ON DCS-5 SHEET 11 OF 19.
- 6 SPACERS SHALL PROVIDE 3" MINIMUM OF VERTICAL AND HORIZONTAL SEPARATION BETWEEN CONDUITS. ONCOR TO APPROVE ALL ELECTRICAL SPACERS PRIOR TO INSTALLATION.

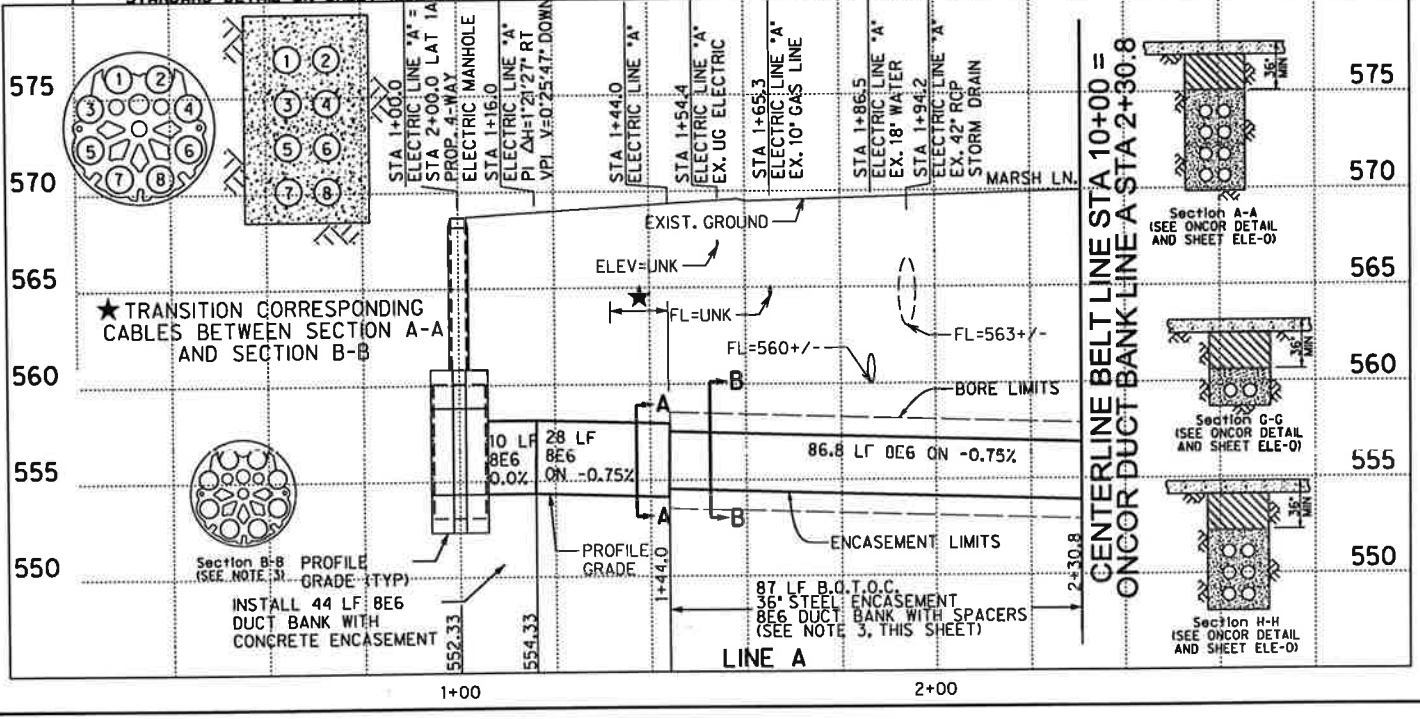


EXISTING UTILITY LOCATIONS SHOWN ARE SCHEMATIC IN NATURE AND MAY NOT ACCURATELY REFLECT THE SIZE AND LOCATION OF EACH PARTICULAR UTILITY. SOME UTILITY LINES MAY NOT BE SHOWN. CONTRACTOR SHALL ASSUME RESPONSIBILITY FOR ACTUAL FIELD LOCATION AND PROTECTION OF ALL EXISTING UTILITIES WHETHER SHOWN OR NOT. CONTRACTOR SHALL ALSO ASSUME RESPONSIBILITY FOR REPAIRS TO EXISTING UTILITIES, WHETHER SHOWN OR NOT. DAMAGED BY CONTRACTOR'S ACTIVITIES. DIFFERENCES IN HORIZONTAL OR VERTICAL LOCATION OF EXISTING UTILITIES SHALL NOT BE A BASIS FOR ADDITIONAL COMPENSATION. CALL 1-800-344-8377 TWO WORKING DAYS PRIOR TO CONSTRUCTION FOR ONSITE LOCATIONS.

LEGEND

- EXISTING POWER POLES TO BE REMOVED BY OTHERS (COORDINATE SCHEDULING AND EXACT LOCATION WITH ONCOR)
- PROPOSED PULL OR SERVICE BOX (AS NOTED)
- PROPOSED POWER POLE WITH RISER (POWER POLE BY OTHERS)
- PROPOSED TRANSFORMER PAD
- PROPOSED VISTA GEAR PAD
- PROPOSED PME PAD
- PROPOSED ELECTRICAL DUCT BANK MANHOLE
- PROPOSED ELECTRIC DUCT BANK BY OTHER THAN OPEN CUT
- PROPOSED ELECTRIC DUCT BANK BY OPEN CUT
- PROP JOINT TRENCH (FRANCHISE & ONCOR) (SEE NOTE 4)
- PROPOSED CABINET FOR ONCOR PROVIDED METER

- NOTE:
1. ALL PROFILE ELEVATIONS FOR ELECTRICAL DUCT BANK ARE FOR OUTSIDE BOTTOM OF DUCT BANK UNLESS OTHERWISE SPECIFIED.
 2. ALL PROFILE ELEVATIONS FOR ELECTRICAL MANHOLES ARE FOR OUTSIDE BOTTOM OF MANHOLE FLOOR UNLESS OTHERWISE SPECIFIED.
 3. STEEL ENCASUREMENT PIPE SIZES SHOWN ARE APPROXIMATE AND SHALL BE AS REQUIRED FOR CONSTRUCTION AND RECOMMENDED BY PIPE SPACER MANUFACTURER. PIPE SPACERS SHALL BE DESIGNED AND SUPPLIED BY UNDERGROUND DEVICES, INC. OR APPROVED EQUAL.
 4. ALL ELECTRIC LOAD CABLES TO BE INSTALLED IN JOINT TRENCH WITH RELOCATED FRANCHISE UTILITIES, EXCEPT AS NECESSARY TO CONNECT TO ELECTRICAL EQUIPMENT OR AS NOTED ON THE PLANS. FOR JOINT TRENCH SEE TELECOM RELOCATION PLAN SHEETS.



Ch Moran P.E. 12-19-2013
 Signature of Registrant Date
 FIRM REGISTRATION NUMBER: 312

NO.	REVISION	BY	DATE
TOWN OF ADDISON DALLAS COUNTY, TEXAS BELT LINE ROAD UNDERGROUND ELECTRICAL ONCOR DUCT BANK PLAN AND PROFILE BELT LINE RD BEGIN TO STA 10+00 HALFF 1201 NORTH BOWSER ROAD, RICHARDSON, TEXAS 75081-2275 TEL (214) 348-8200 FAX (214) 739-0095			
PROJECT	DESIGN	DRAWN	DATE
29350	HALFF	HALFF	NOV, 2013
FILE	SHEET		
29350 ELEC 00	ELE-0		