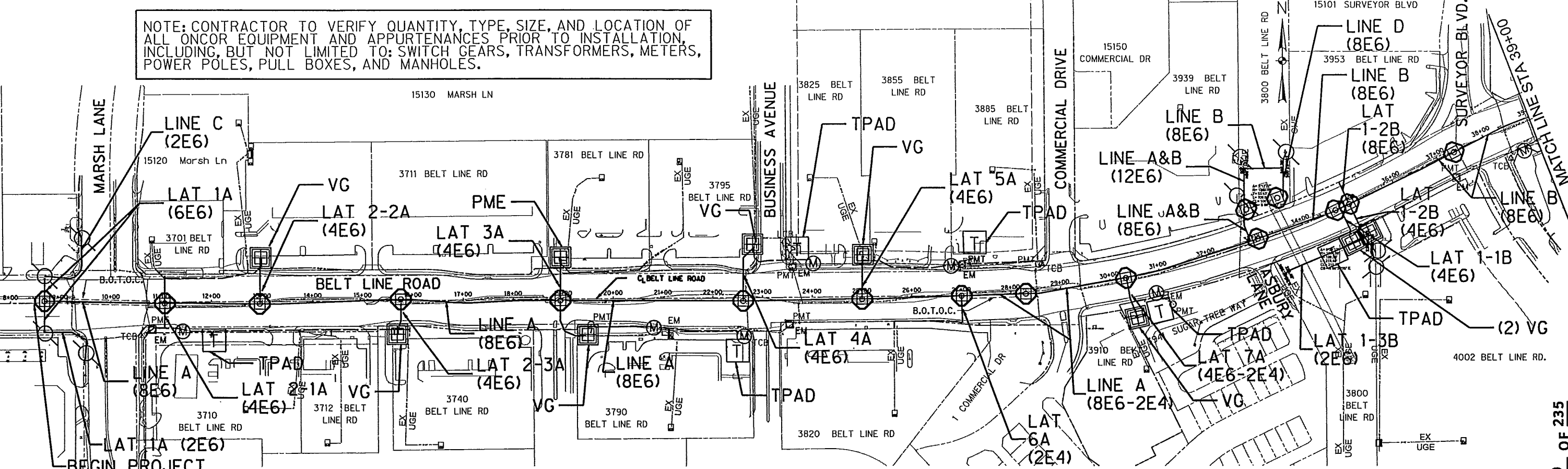


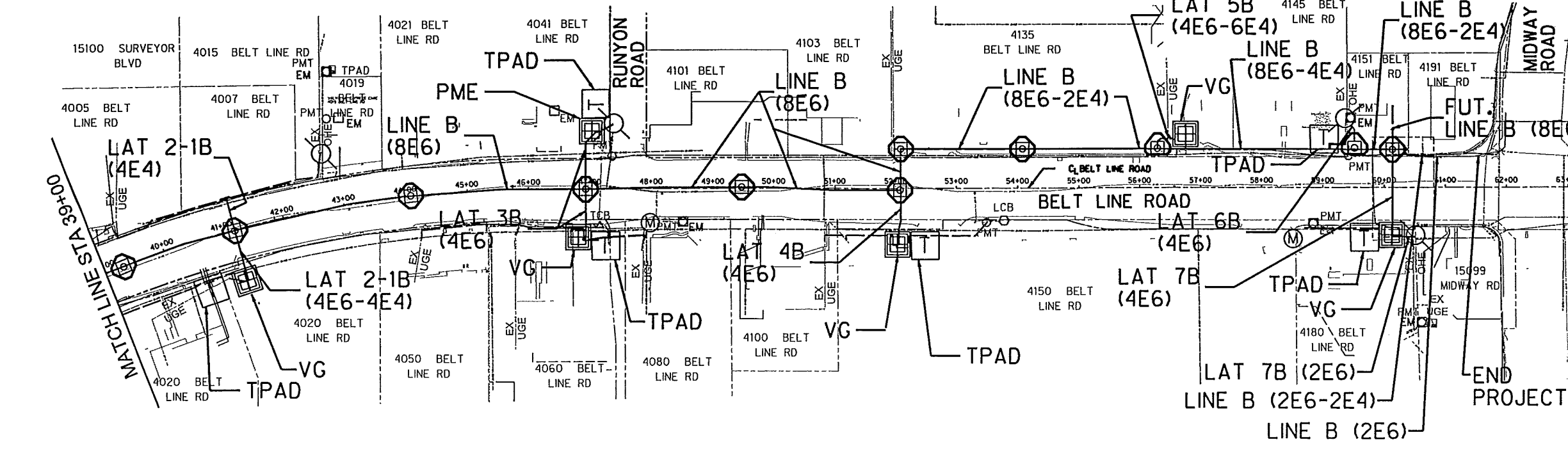
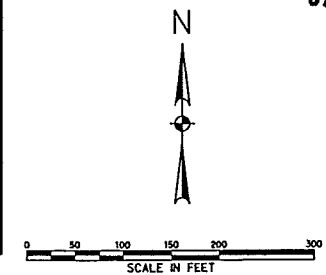
NOTE: CONTRACTOR TO VERIFY QUANTITY, TYPE, SIZE, AND LOCATION OF ALL ONCOR EQUIPMENT AND APPURTENANCES PRIOR TO INSTALLATION, INCLUDING, BUT NOT LIMITED TO: SWITCH GEARS, TRANSFORMERS, METERS, POWER POLES, PULL BOXES, AND MANHOLES.

PROJECT # 29350 OFFICE: RCH USER: dm1299  
 FILE: 29350 DCTB 01.dgn TIME: 2:49:04 PM DATE: 3/25/2014



**LEGEND**

	PROPOSED VISTA GEAR (VG) OR PME SWITCHGEAR AND PAD (TO BE INSTALLED BY OTHERS)		PMT EXISTING POLE MOUNTED TRANSFORMER
	PROPOSED TRANSFORMER AND PAD (TO BE INSTALLED BY OTHERS)		EM EXISTING ELECTRIC METER
	PROPOSED ELECTRICAL DUCT BANK MANHOLE		TCB EXISTING TRAFFIC SIGNAL CONTROL BOX
	PROPOSED RISER AND POWERPOLE (ONCOR TO INSTALL POWERPOLE)		LCB EXISTING LIGHTING CONTROL BOX
	PROPOSED CABINET FOR ONCOR PROVIDED METER		TPAD EXISTING TRANSFORMER (PAD MOUNTED)
	PROPOSED ELECTRIC DUCT BANK BY OTHER THAN OPEN CUT		EX UGE EXISTING UNDERGROUND ELECTRIC SERVICE
	PROPOSED ELECTRICAL SOURCE DUCT BANK BY OPEN CUT		
	PROPOSED ELECTRICAL LOAD CABLE DUCT BANK		



*Chloran* P.E. 3-25-14  
 Signature of Registrant Date  
 FIRM REGISTRATION NUMBER: 312

NO.	REVISION	BY DATE
	Addisom TOWN OF ADDISON DALLAS COUNTY, TEXAS BELT LINE ROAD UNDERGROUND ELECTRICAL ONCOR DUCT BANK KEYMAP	
1201 NORTH BOWSER ROAD, RICHARDSON, TEXAS 75081-2275 TEL (214) 346-6200 FAX (214) 739-0095		
PROJECT	DESIGN	FILE
29350	HALFF	29350 DCTB 01
DRAWN	DATE	SHEET
HALFF	MAR. 2014	DCB-1