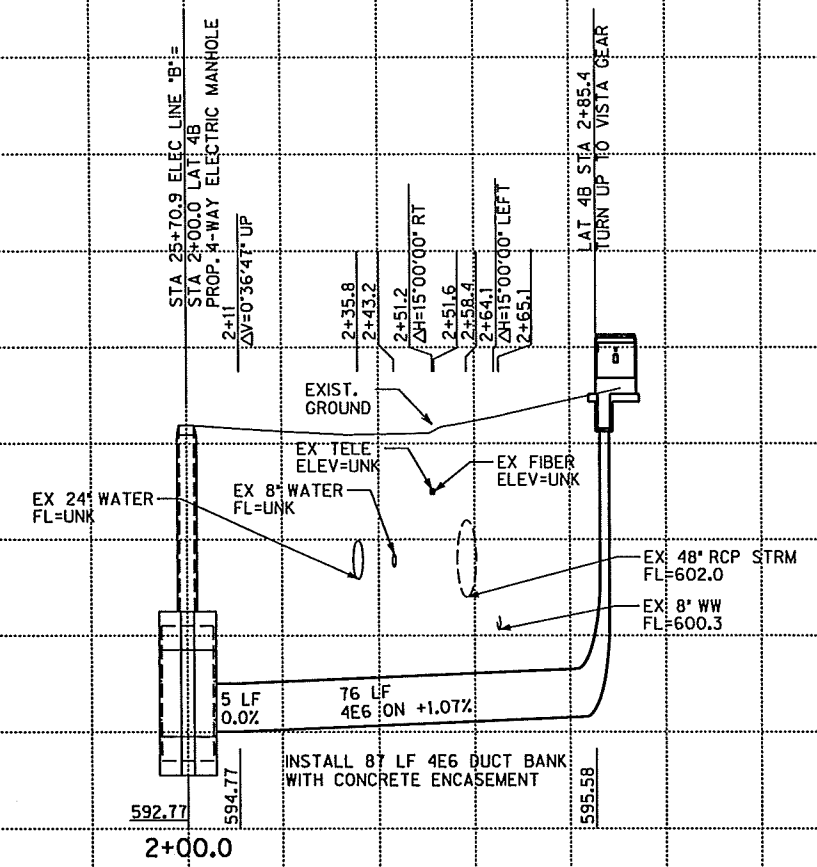


DATE: 11/8/2013 TIME: 1:59:01 PM FILE: 29350 ELEC 18x.dgn PROJECT # 29350 OFFICE: RCH USER: gh1854

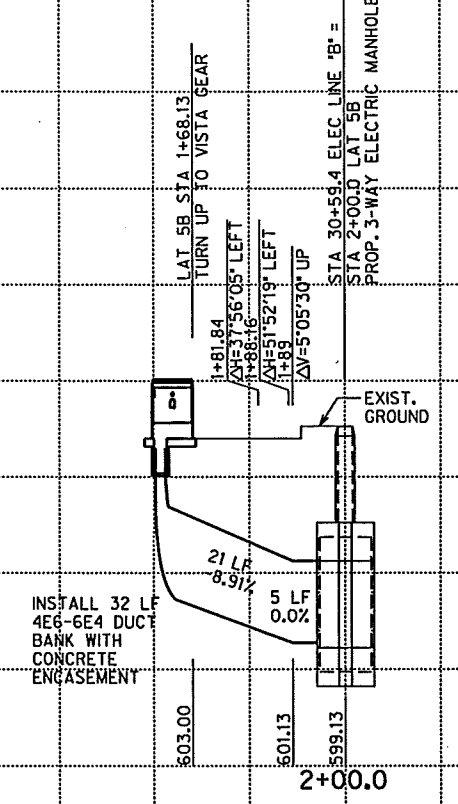
620
615
610
605
600
595
590



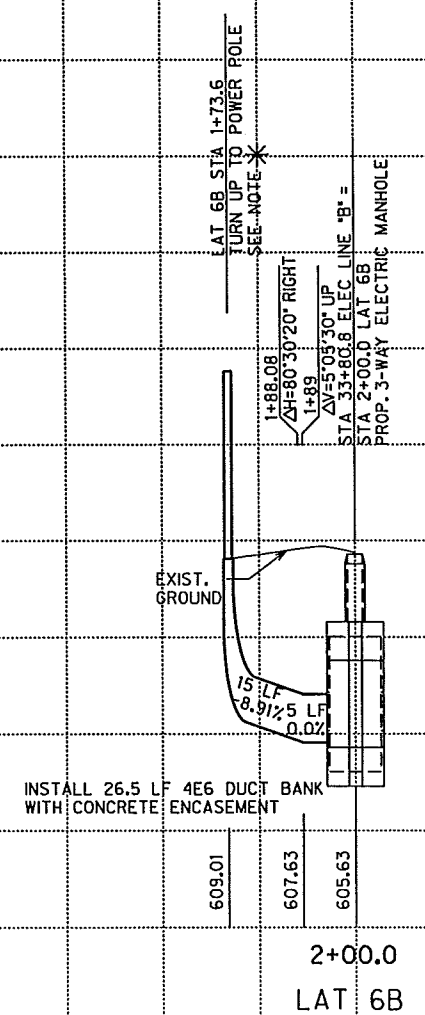
*NOTE
INSTALL CONDUIT TO PROP. POLE AND ATTACH RISER PER STANDARD DETAIL ON SHEET (ELE-26) (PROP. POLE BY OTHERS, COORDINATE SCHEDULING WITH ONCOR)

620
615
610
605
600
595
590

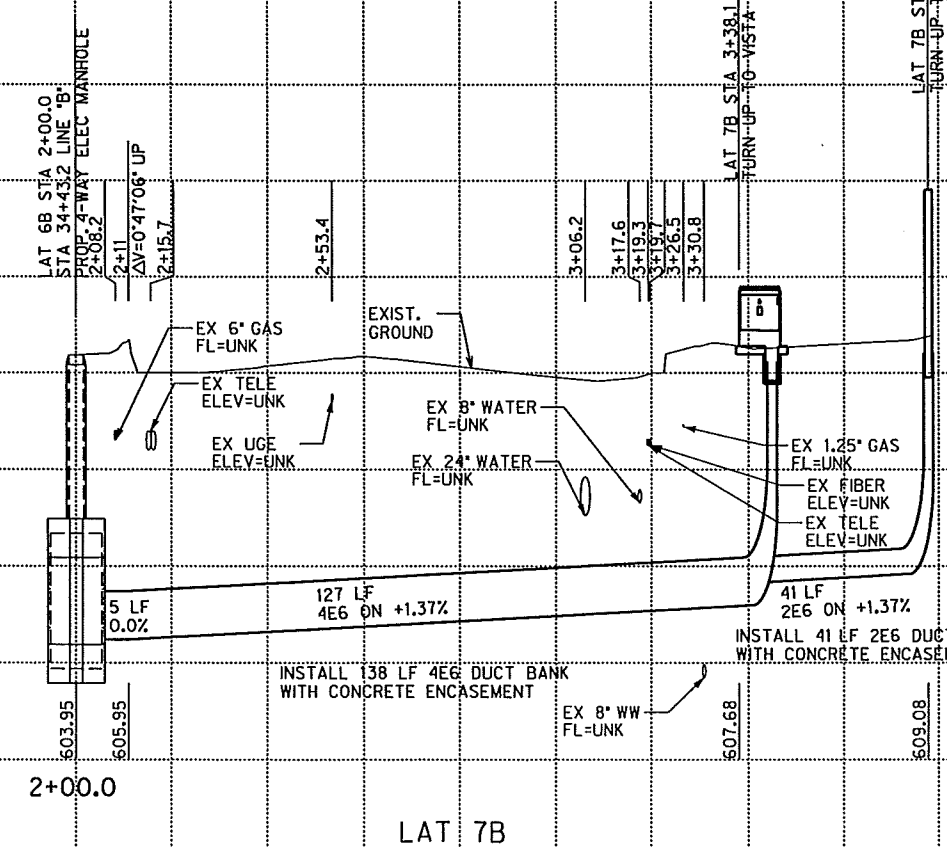
625
620
615
610
605
600
595



630
625
620
615
610
605
600



630
625
620
615
610
605
600



630
625
620
615
610
605
600

Chad M. Brown, P.E. 11-8-2013
Signature of Registrant Date
FIRM REGISTRATION NUMBER: 312

HALFF 1201 NORTH BOWSER ROAD, RICHARDSON, TEXAS 75081-2275
TEL (214) 346-6200 FAX (214) 739-0095

PROJECT	DESIGN	DRAWN	DATE	FILE	SHEET
29350	HALFF	HALFF	NOV. 2013	29350 ELEC 18x	ELE-18