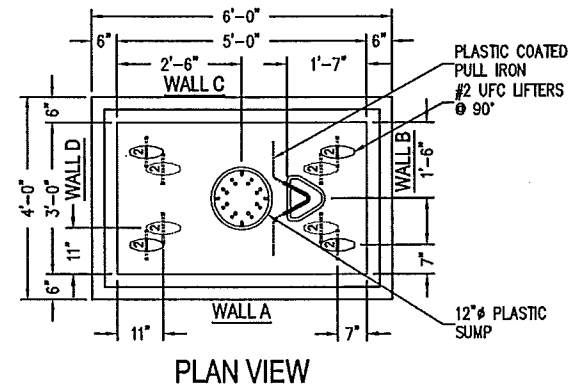
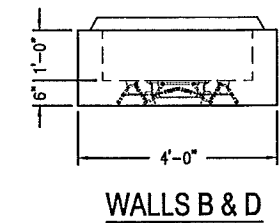
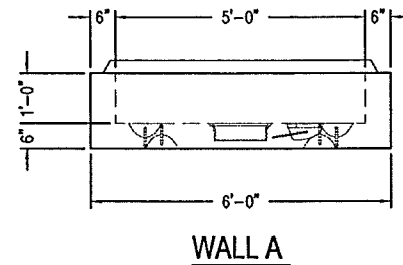


ITEM# 1041910

- TO INCLUDE:
4 - #2 UFC LIFTERS @ 90°
12 - 1/2" PLASTIC INSERTS

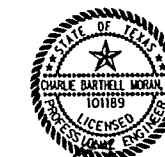
Oldcastle Precast, Inc.		1100 HERITAGE PKWY. MAHNSFIELD, TX 75063 PHONE: (817) 453-1054 FAX: (817) 453-4007		PRODUCT	ITEM#	PRODUCTION CHECKLIST	ROOF SLAB	#	yd ³	MANHOLE TOP	3'-0" x 5'-0" x 3'-0"
CHECKED:	DATE:	APPROVED:	DATE:	REBAR	BOND RIBBON	TOP	5,546	#	1,372		
ORDER#	DRAWN BY: SR	SOLD BY: DM	SCALE: 3/8" = 1'	MOLD/PALLET	GROUND ROD	EXTENSION					
				TERMINATOR	SUMP	BOTTOM					
				LIFTERS	PVC	FLOOR SLAB					
				PULL IRONS	DR/RIG/GR	TOTALS:	5,546	#	1,372	DATE: 08/19/04	PAGE 1 OF 2



ITEM# 1041830

- TO INCLUDE:
8 - #2 UFC LIFTERS
1 - 12" PLASTIC SUMP
1 - PLASTIC COATED PULL IRON

Oldcastle Precast, Inc.		1100 HERITAGE PKWY. MAHNSFIELD, TX 75063 PHONE: (817) 453-1054 FAX: (817) 453-4007		PRODUCT	ITEM#	PRODUCTION CHECKLIST	ROOF SLAB	#	yd ³	MANHOLE BOTTOM	3'-0" x 5'-0" x 1'-0"
CHECKED:	DATE:	APPROVED:	DATE:	REBAR	BOND RIBBON	TOP					
ORDER#	DRAWN BY: SR	SOLD BY: DM	SCALE: 3/8" = 1'	MOLD/PALLET	GROUND ROD	EXTENSION					
				TERMINATOR	SUMP	BOTTOM	3,150	#	.778		
				LIFTERS	PVC	FLOOR SLAB					
				PULL IRONS	DR/RIG/GR	TOTALS:	3,150	#	.778	DATE: 08/19/04	PAGE 1 OF 2



Charles Moran P.E. 3-25-14
Signature of Registrant Date

FIRM REGISTRATION NUMBER: 312

NO.	REVISION	BY	DATE
ADDISON TOWN OF ADDISON DALLAS COUNTY, TEXAS BELT LINE ROAD UNDERGROUND ELECTRICAL TIME WARNER CABLE DETAILS			
1201 NORTH BOWSER ROAD, RICHARDSON, TEXAS 75081-2275 TEL (214) 346-6200 FAX (214) 739-0095			
PROJECT	DESIGN	DRAWN	DATE
29350	HALFF	HALFF	MAR. 2014
FILE	SHEET		
29350 TEL 07D	TEL-7D		