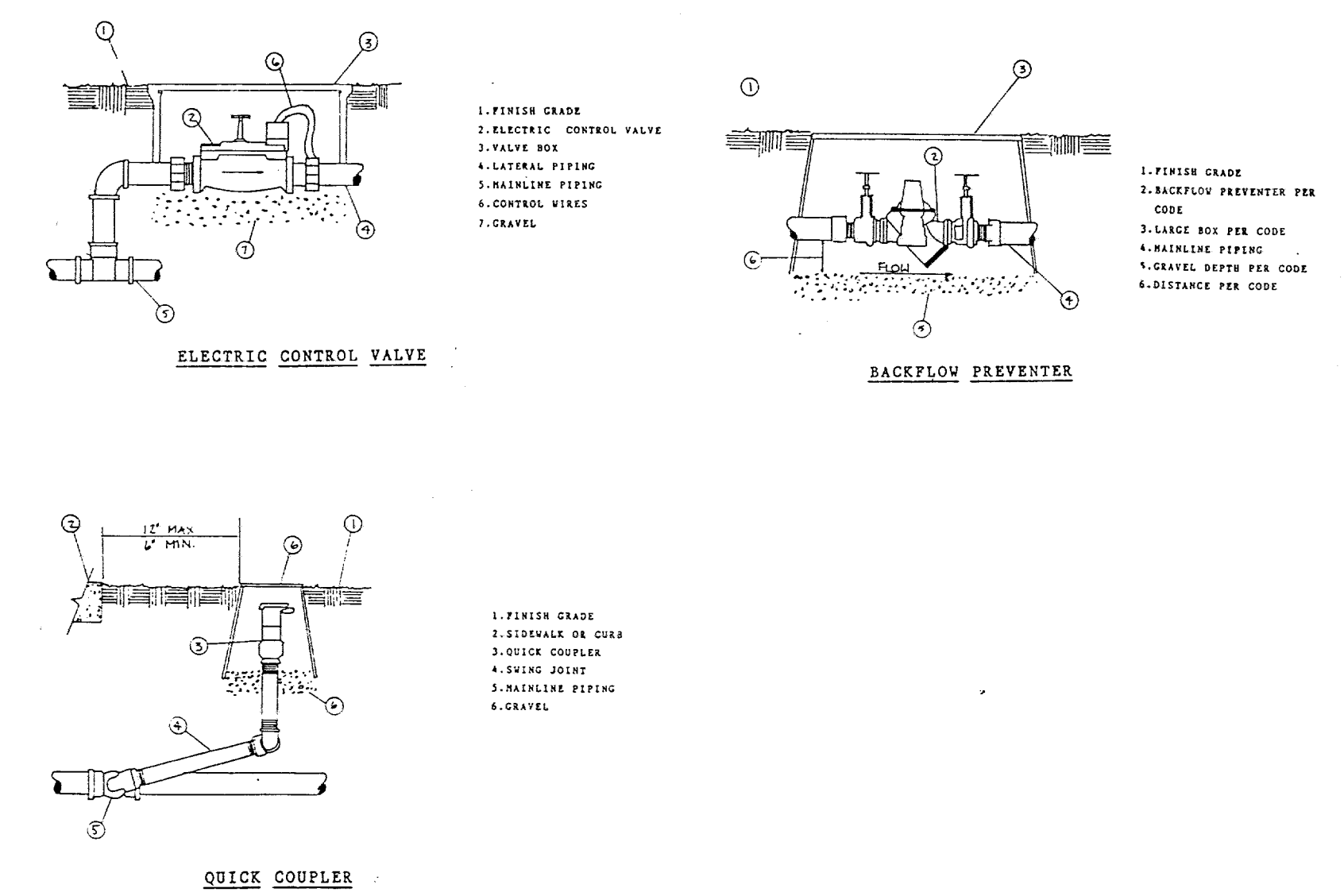


IRRIGATION DETAILS



MATCH LINE STA. S 0+75.71
SEE SHEET 3

NOTES

- TOWN OF ADDISON
IRRIGATION SPECIFICATIONS
Revision 5/93
- All main line pipe to be Schedule 40 galvanized PVC. Do not more than two (2) pipes in any one trench. Class 200 lateral piping is subject to prior approval by the Town.
 - Fittings: No crosses are permitted. Separate tee and/or elbows be at least 12". Reduction tees are preferred over use of reducer bushings. Only Spans and/or Lasso are permitted. Allow 18" outside of sleeve before first fitting.
 - Wiring: 14 ga. UF, Red - Control wires. White - Ground. Anytime wiring changes direction, such as at an elbow or tee, allow a loop at least one hand width (10 inches) alongside the fitting at that location.
 - Use King connectors for all wire splices. Allow at least 36" of pigtailed wire at each splice. All splices are to be housed in standard (large) rectangular plastic valve boxes, including valves.
 - Only Weathermatic 11000 Series plastic valves are permitted. They are to be located within standard (large) rectangular plastic valve boxes with 4"-6" of pea gravel placed underneath the valve in such a manner as to prevent soil infiltration into the box.
 - Only Buckner Model 30A single leg 3/4" QC's are permitted. They are to be connected to a threaded fitting. Teflon paste and appropriate length gray Schedule 40 nipples, and Schedule 40 fittings are to be used. House QC's in a 10" round plastic valve box.
 - All heads are to be attached to threaded fittings via 5' polyethylene nipples cut to the appropriate length. All nozzle sizes will be designated on the plan.
- Pop-ups: Only Toro 570C Series are permitted, unless otherwise noted. Install 3/4" above finished grade. Turf - 4" (includes tree bobbles within turf areas, use Toro SB-PC nozzles). Very low ground cover (<5" mature height) - 6". Ground cover and low growing shrubs - 12" HP. Fancy pipe for 12" HP installations with owner approval is acceptable if conditions warrant.
- Bubblers: Red areas only. Use Toro 500 Series stream or flood bubblers.
- Rotaries: Only Hunter POP Series are permitted, unless otherwise noted. Install 3/4" above finished grade.
- Risers: Use Tropic's copper with soldered male ends for Toro 570-S shrub adaptors and female ends to attach to short polyethylene nipples screwed into threaded fittings. Owner reserves the right to determine placement of risers versus pop-ups.
- Only Honey MVR meters with (1) brass flanges are acceptable. Stainless steel bolts and nuts must be used in the installation along with appropriate gaskets. House in appropriate size, to be determined by Owner, concrete box with lid. To bring box to ground level use bricks or pavers, and backfill inside below water base with at least 6" of pea gravel. Connection to main must be done by the Town's Water Department and all tap materials must be approved by them.

IRRIGATION NOTES

- All sprinkler equipment numbers reference the Rainbird equipment catalog unless otherwise indicated.
- BUBBLER HEADS are #1404 pressure compensating full circle umbrellas pattern. Installed as per detail.
- ELECTRIC CONTROL VALVES shall be Weathermatic 11000 series installed per detail shown. Size valves as shown on plans. Valves shall be installed in valve boxes large enough to permit manual operation, removal of solenoid and/or valve cover without any earth excavation.
- QUICK COUPLING VALVES shall be #380 installed per detail shown. Swing joints shall be constructed using 3/4" schedule 80 elbows. Contractor shall supply cover with three (3) #33K couplers and three (3) #5H-0 swivel hose ends as part of this contract.
- AUTOMATIC CONTROLLER shall be installed at location shown. Power (120V) shall be located in a junction box within five feet (5') of controller location by other trades.
- All 24 volt valve wiring is to be UF 14 single conductor. All wire splices are to be permanent and waterproof.
- SLEEVES shall be installed by General Contractor. Sleeve material shall be Sch. 40 PVC, sized as shown on plans.
- Ten days prior to start of construction, Contractor shall verify static water pressure. If static pressure is less than 50 PSI, do not start work until notified to do so by owner.
- All main line and lateral piping shall have a minimum of 12 inches of cover. All piping under paving shall have a minimum of 18 inches of cover.
- The irrigation contractor shall coordinate installation of the system with the landscape contractor so that all plant material will be watered in accordance with the intent of the plans and specifications.
- All bubbler heads shall be installed on a 1/2" at 90 all and offset at least 1 foot from lateral feeder. See detail #1.
- Pipe stringing guidelines:

size	gpm capacity
1/2"	1
3/4"	12
1"	18
1 1/4"	25
1 1/2"	45
- Contractor shall install the piping grid according to these guidelines.
- Mainline and other equipment shown in pavement areas for clarity only.
- Contractor shall install one extra white wire and one extra blue wire from controller to backflow preventer. Coil up approx. 20' extra and locate in 10" valve box.

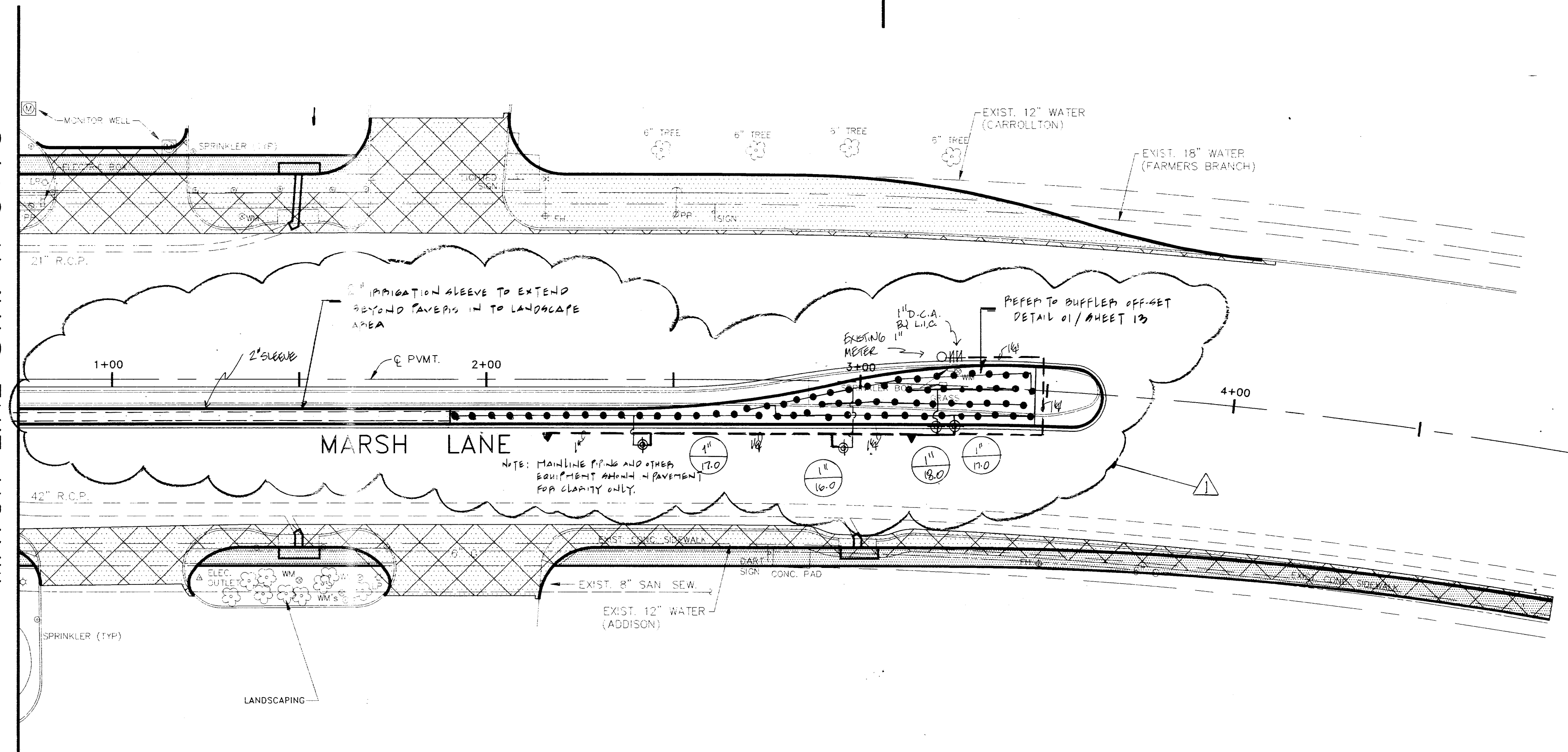
NOTE: REFERENCE SHEETS 12, 13, 22, & 23 FOR IRRIGATION PLANS, NOTES, DETAILS, ETC.

INSTALL BUBBLER HEAD 1'-6" ABOVE FINISH GRADE USING (2) OR MORE 1/2" x 6" POLY NIPPLES CONNECTED W/ THREADED COUPLERS.

IRRIGATION LEGEND

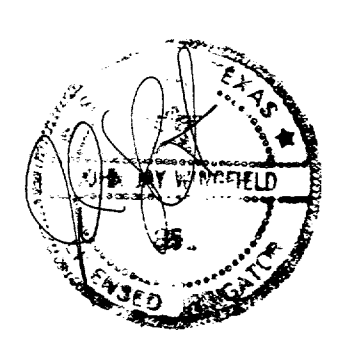
- PRO DIA-30 STEAM BUBBLER PRESSURE COMPENSATING UMBRELLA PATTERN 1 GPM
- WEATHERMATIC #11000 SERIES ELECTRIC VALVE
- RAINBIRD #380 QUICK COUPLER
- VALVE SIZE GPM

SEE SHEET 13
MATCH LINE STA. N 0+75



NO.	TOWN OF ADDISON COMMENTS	REVISION	BY	DATE
			J.W.	5.9.94

DESIGNED BY: J.W.
 DRAWN BY: J.W.
 CHECKED BY: BA/PP
 SCALE: 1" = 20'
 DATE: MAR. 22, 1994
 FILE:



E&H Espey, Huston & Associates, Inc.
 Engineering & Environmental Consultants
 13800 Montfort Drive, Suite 230
 Dallas, Texas 75240 (214) 387-0771

SMR
 Landscape Architects
 703 McKinney, LB 107
 Suite 403
 Dallas, Texas 75202
 (214) 871 0083
 Steven M. Rahn, ASLA

IRRIGATION PLAN
 MARSH LANE NORTH OF BELT LINE ROAD
 PAVING AND DRAINAGE IMPROVEMENTS
 BELT LINE ROAD AT MARSH LANE
 for
 THE TOWN OF ADDISON

SHEET NO. 12
 OF 46 SHEETS
 JOB NO. 13921