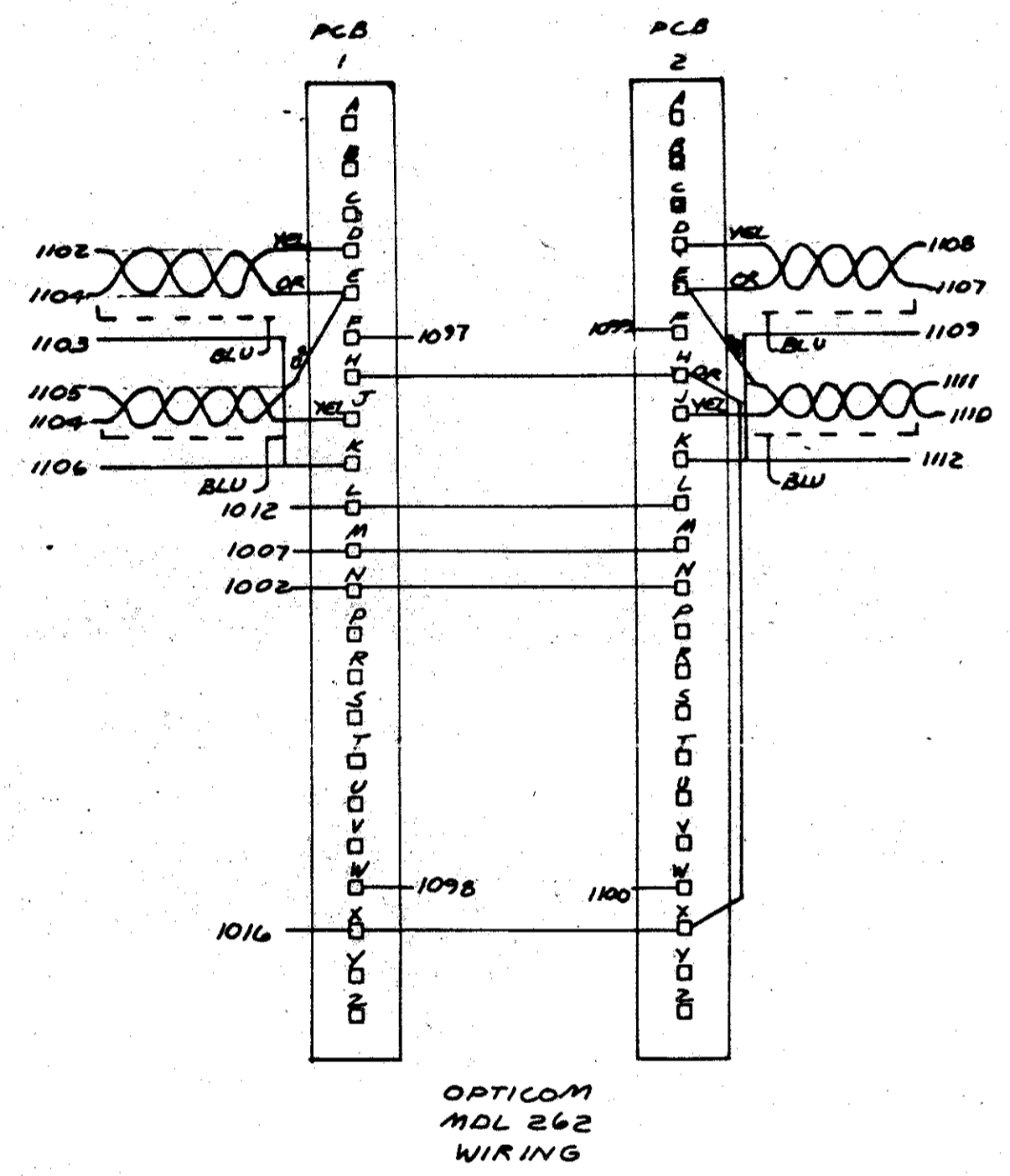
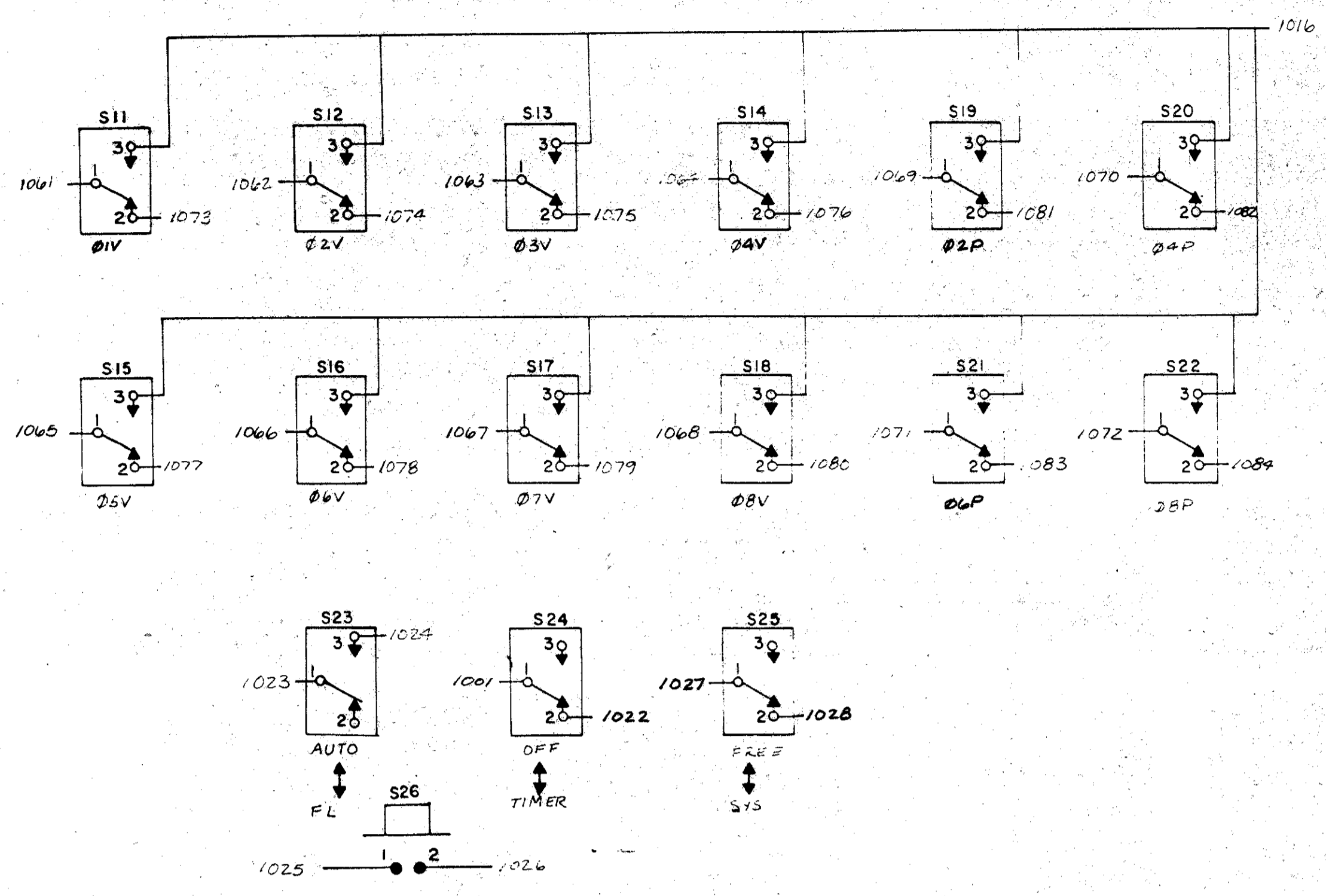


MARK	A	B	C	D	E	F	G	H	I	J
* 01	* 01	* 1007*1017*1002*1031*1032*1073*	NC	*1033*1073*1085*						
* 02	* 02-1	*1008*1018*1003*1034*1035*1074*	NC	*1036*1074*1086*						
* 03	* 02-2	*1009*1019*1004*1036*1037*1074*	NC	*1038*1074*1086*						
* 04	* 02-3	*1010*1020*1005*1039*1040*1074*	NC	*1038*1074*1086*						
* 05	* 03	*1007*1017*1002*1041*1042*1075*	NC	*1043*1075*1087*						
* 06	* 04-1	*1008*1018*1003*1044*1045*1076*	NC	*1043*1076*1088*						
* 07	* 04-2	*1009*1019*1004*1046*1047*1076*	NC	*1043*1076*1088*						
* 08	* 04-3	*1010*1020*1005*1049*1050*1076*	NC	*1043*1076*1088*						
* 09	* 05	*1007*1017*1002*1051*1052*1077*	NC	*1053*1077*1089*						
* 10	* 06-1	*1008*1018*1003*1054*1055*1078*	NC	*1053*1078*1090*						
* 11	* 06-2	*1009*1019*1004*1056*1057*1078*	NC	*1053*1078*1090*						
* 12	* 06-3	*1010*1020*1005*1059*1060*1078*	NC	*1053*1078*1090*						
* 13	* 07	*1007*1017*1002*1113*1114*1079*	NC	*1043*1079*1091*						
* 14	* 08-1	*1008*1018*1003*1115*1116*1080*	NC	*1043*1080*1092*						
* 15	* 08-2	*1009*1019*1004*1117*1118*1080*	NC	*1053*1080*1092*						
* 16	* 08-3	*1010*1020*1005*1119*1120*1080*	NC	*1053*1080*1092*						

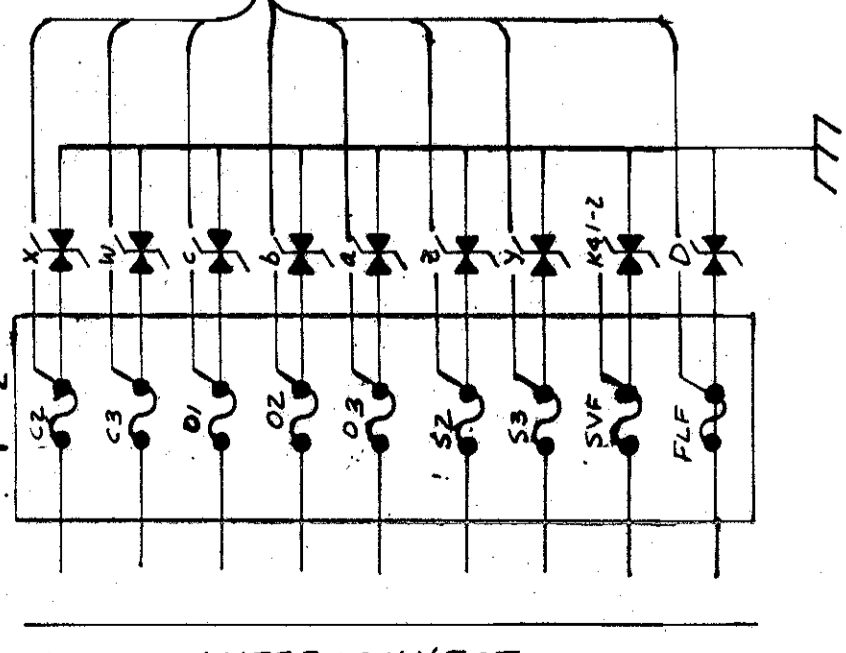
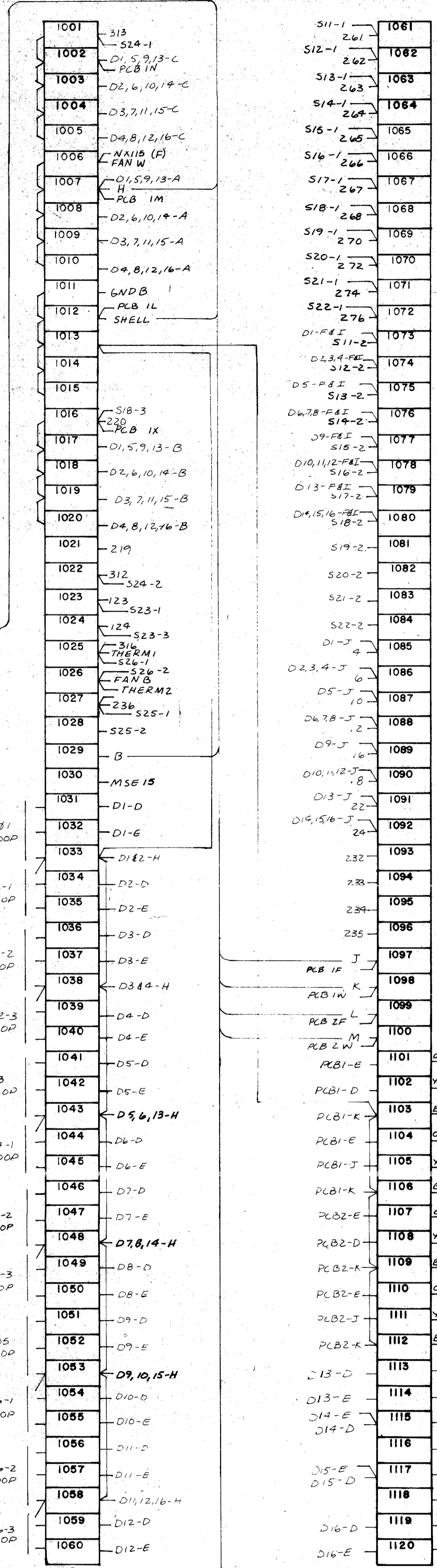
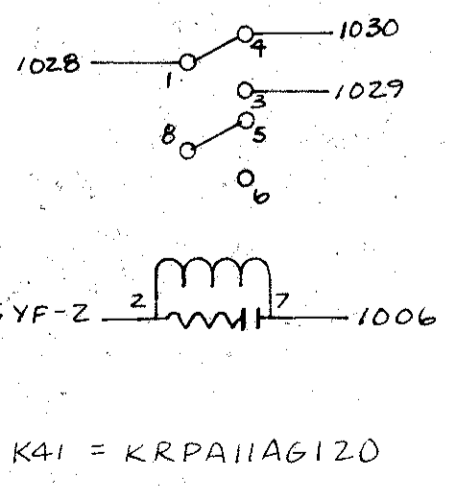


MSD HARNESS

PIN	TO FUNCTION
A	CAP MSTR/SCDY
B	1029 SYSTEM IN
C	CAP FLASH
D	FLF2 SYSTEM FLASH
E	NO WIRE
F	CAP DUAL ENTRY
G	NO WIRE
H	1007 INT. COMMON
J	1097 PE1 IN
K	1098 PE2 IN
L	1099 PE3 IN
M	1100 PE4 IN
N	CAP PEO
P	247 SYSTEM OUT
R	CAP REM FL OUT
S	CAP OFFSET 1 OUT
T	CAP OFFSET 2 OUT
U	CAP OFFSET 3 OUT
V	CAP HOLD OUT
W	C3F2 CYCLE 3 IN
X	C2F2 CYCLE 2 IN
Y	S3F2 SPLIT 3 IN
Z	S2F2 SPLIT 2 IN
a	03F2 OFFSET 3 IN
b	02F2 OFFSET 2 IN
c	01F2 OFFSET 1 IN
SHELL	1012 GROUND

MS E

PIN	TO
1 THRU 13	CAP 22 BLUE
15	1030 "



NOTE:
CONNECT
BLUE WIRE
TO SHIELD
ON FIELD
CONDUCTORS

ORIGINAL DATE	6/17/86	<p>Traffic & Transportation Supply, Inc.</p>
DRAWING DATE	11-3-86	
DRAWN BY	DJW	SEE DETECTOR PANEL
CHECKED		
DEPT. SUPV.		
DESIGNED BY	DAW	SEE HARNESS TOWN OF ADDISON
ENGINEER	RMC	SEE HARNESS BELTLINE & MARSH
REV. 1		2254-01402
REV. 2		
REV. 3		
REV. 4		
REV. 5		
REV. 6		
REV. 7		
REV. 8		
REV. 9		
REV. 10		
REV. 11		
REV. 12		
REV. 13		
REV. 14		
REV. 15		
REV. 16		
REV. 17		
REV. 18		
REV. 19		
REV. 20		
REV. 21		
REV. 22		
REV. 23		
REV. 24		
REV. 25		
REV. 26		
REV. 27		
REV. 28		
REV. 29		
REV. 30		
REV. 31		
REV. 32		
REV. 33		
REV. 34		
REV. 35		
REV. 36		
REV. 37		
REV. 38		
REV. 39		
REV. 40		
REV. 41		
REV. 42		
REV. 43		
REV. 44		
REV. 45		
REV. 46		
REV. 47		
REV. 48		
REV. 49		
REV. 50		
REV. 51		
REV. 52		
REV. 53		
REV. 54		
REV. 55		
REV. 56		
REV. 57		
REV. 58		
REV. 59		
REV. 60		
REV. 61		
REV. 62		
REV. 63		
REV. 64		
REV. 65		
REV. 66		
REV. 67		
REV. 68		
REV. 69		
REV. 70		
REV. 71		
REV. 72		
REV. 73		
REV. 74		
REV. 75		
REV. 76		
REV. 77		
REV. 78		
REV. 79		
REV. 80		
REV. 81		
REV. 82		
REV. 83		
REV. 84		
REV. 85		
REV. 86		
REV. 87		
REV. 88		
REV. 89		
REV. 90		
REV. 91		
REV. 92		
REV. 93		
REV. 94		
REV. 95		
REV. 96		
REV. 97		
REV. 98		
REV. 99		
REV. 100		