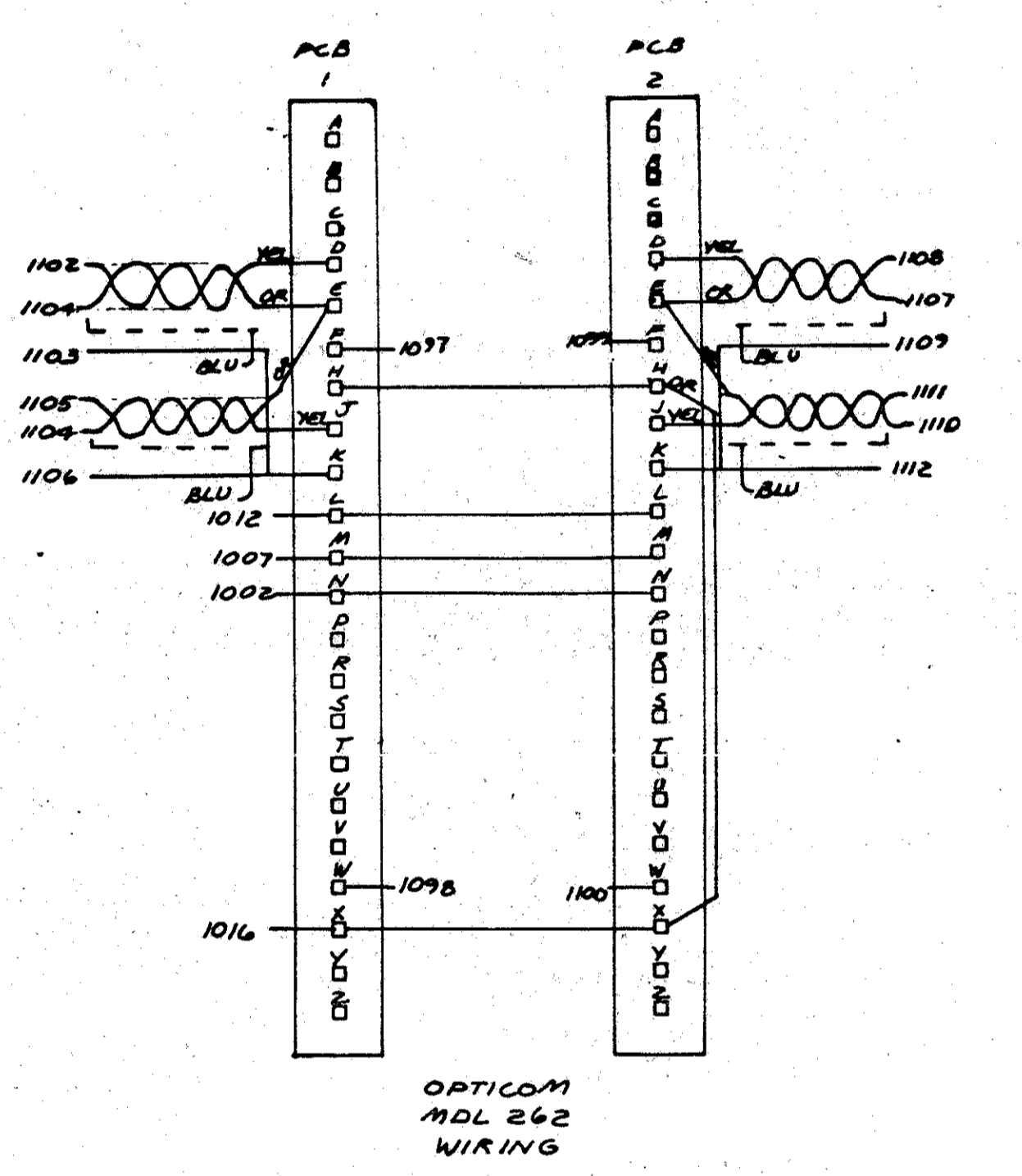
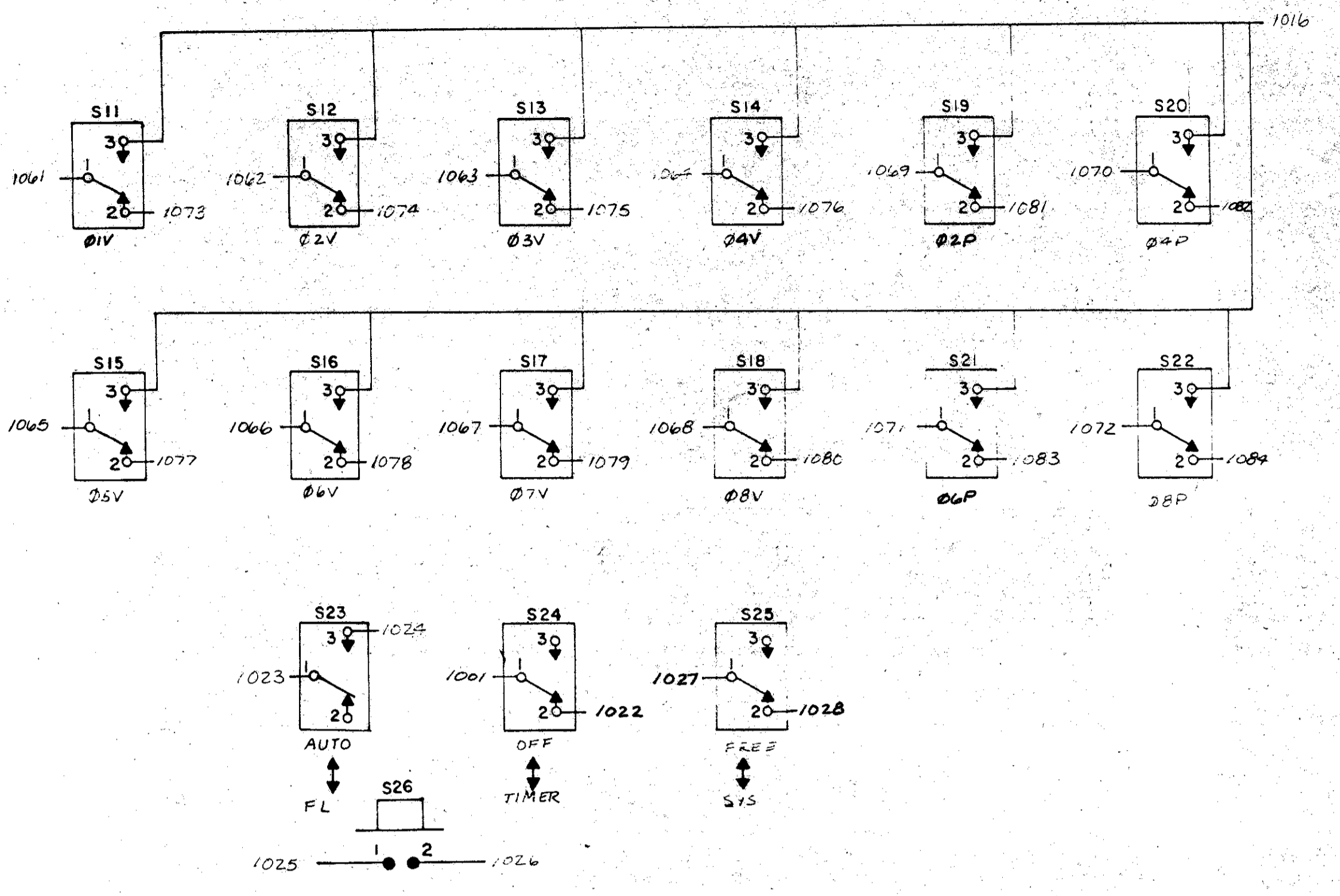


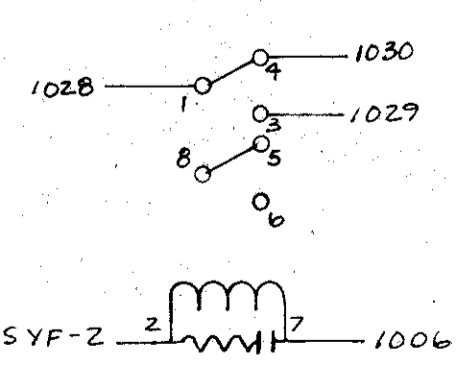
MARK	A	B	C	D	E	F	G	H	I	J
*01	*01	*1007*1017*1002*1031*1032*1073*	NC	*1033*1073*1085*						
*02	*02-1	*1008*1018*1003*1034*1035*1074*	NC	*1033*1074*1086*						
*03	*02-2	*1009*1019*1004*1036*1037*1074*	NC	*1038*1074*1086*						
*04	*02-3	*1010*1020*1005*1039*1040*1074*	NC	*1038*1074*1086*						
*05	*03	*1007*1017*1002*1041*1042*1075*	NC	*1043*1075*1087*						
*06	*04-1	*1008*1018*1003*1044*1045*1075*	NC	*1043*1075*1088*						
*07	*04-2	*1009*1019*1004*1046*1047*1075*	NC	*1048*1076*1088*						
*08	*04-3	*1010*1020*1005*1049*1050*1075*	NC	*1048*1076*1088*						
*09	*05	*1007*1017*1002*1051*1052*1077*	NC	*1053*1077*1090*						
*10	*04-1	*1008*1018*1003*1054*1055*1078*	NC	*1053*1078*1090*						
*11	*04-2	*1009*1019*1004*1057*1057*1078*	NC	*1058*1078*1090*						
*12	*04-3	*1010*1020*1005*1059*1060*1078*	NC	*1058*1078*1090*						
*13	*07	*1007*1017*1002*1113*1114*1079*	NC	*1043*1079*1091*						
*14	*08-1	*1008*1018*1003*1115*1115*1080*	NC	*1048*1080*1092*						
*15	*08-2	*1009*1019*1004*1117*1117*1080*	NC	*1053*1080*1092*						
*16	*08-3	*1010*1020*1005*1119*1120*1080*	NC	*1058*1080*1092*						



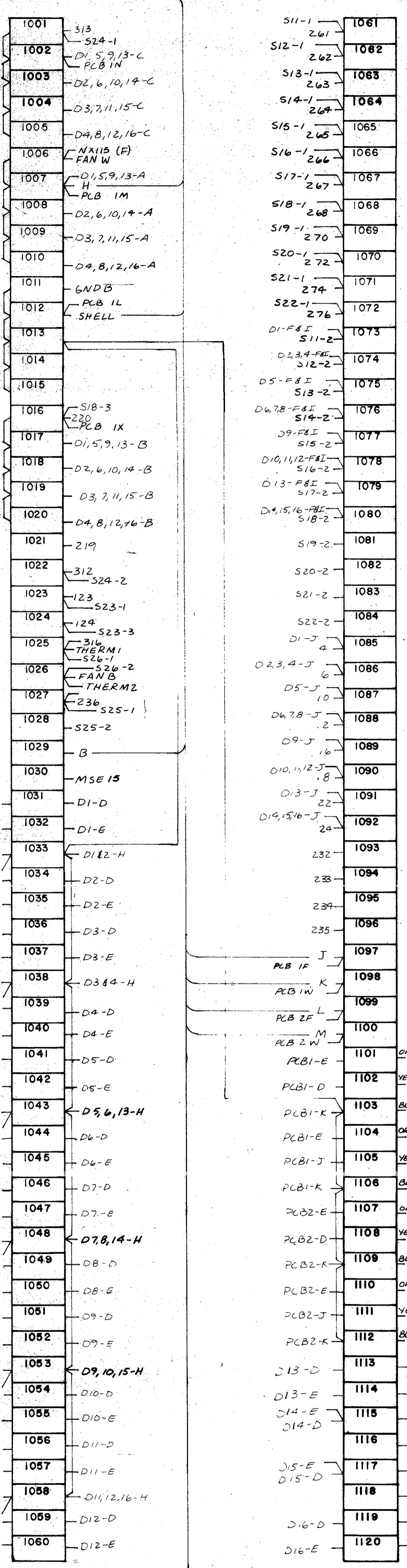
MSD HARNESS

PIN	TO FUNCTION
A	CAP MSTR/SCDY
B	1029 SYSTEM IN
C	CAP FLASH
D	FLF2 SYSTEM FLASH
E	NO WIRE
F	CAP DUAL ENTRY
G	NO WIRE
H	1007 INT. COMMON
J	1097 PE1 IN
K	1098 PE2 IN
L	1099 PE3 IN
M	1100 PE4 IN
N	CAP PEO
P	247 SYSTEM OUT
R	CAP REM FL OUT
S	CAP OFFSET 1 OUT
T	CAP OFFSET 2 OUT
U	CAP OFFSET 3 OUT
V	CAP HOLD OUT
W	C3F2 CYCLE 3 IN
X	C2F2 CYCLE 2 IN
Y	S3F2 SPLIT 3 IN
Z	S2F2 SPLIT 2 IN
a	O3F2 OFFSET 3 IN
b	O2F2 OFFSET 2 IN
c	O1F2 OFFSET 1 IN
SHELL	1012 GROUND

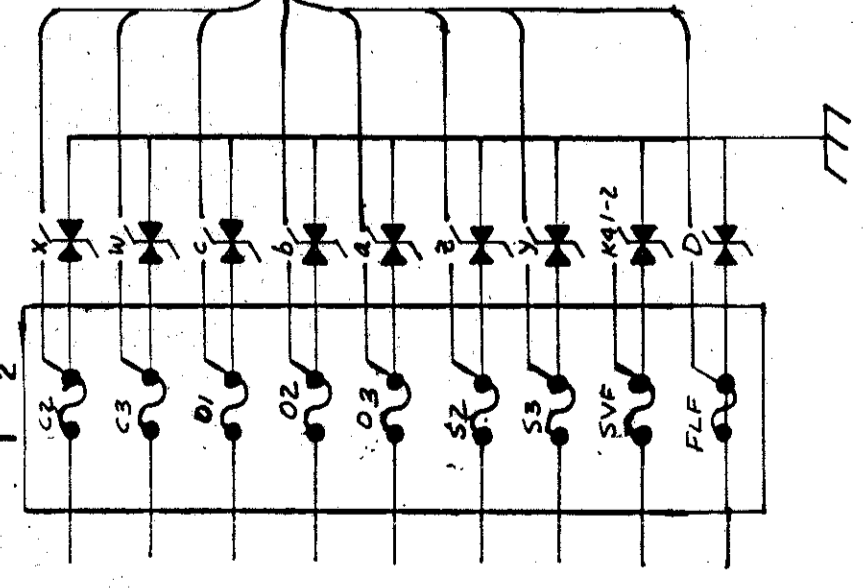
MS E	TO
1	THRU 13 CAP 22 BLUE
15	1030 "



K41 = KRPA11A6120



NOTE:
CONNECT
BLUE WIRE
TO SHIELD
ON FIELD
CONDUCTORS



INTERCONNECT

ORIGINAL DATE	6/17/86		Traffic & Transportation Supply, Inc.
DESIGN DATE	11-3-86		2254-01402
DRAWN BY	DJW	DETECTOR PANEL TOWN OF ADDISON BELTUNE & MARSH BELTUNE & COMMERCIAL	
CHECKED BY			
DESIGNED BY	DAW		
ENGINEER	RMC		
DATE			
© 1986 TTS, Inc.			