

Table with columns for connector, wire number, and function. Includes sections for Connector A (22-555), Connector B (22-556), and Connector C (22-61P).

Table with columns for connector, wire number, and function. Includes sections for Connector A (22-555), Connector B (22-556), and Connector C (22-61P).

Table with columns for connector, wire number, and function. Includes sections for Connector A (22-555), Connector B (22-556), and Connector C (22-61P).

Table with columns for connector, wire number, and function. Includes sections for Connector A (22-555), Connector B (22-556), and Connector C (22-61P).

Table with columns for connector, wire number, and function. Includes sections for Connector A (22-555), Connector B (22-556), and Connector C (22-61P).

Table with columns for wire, pin, mon funct, cont funct, wire, pin, mon funct, cont funct. Includes sections for Wire List for M12 Conflict Monitor and Notes for M12 Conflict Monitor.

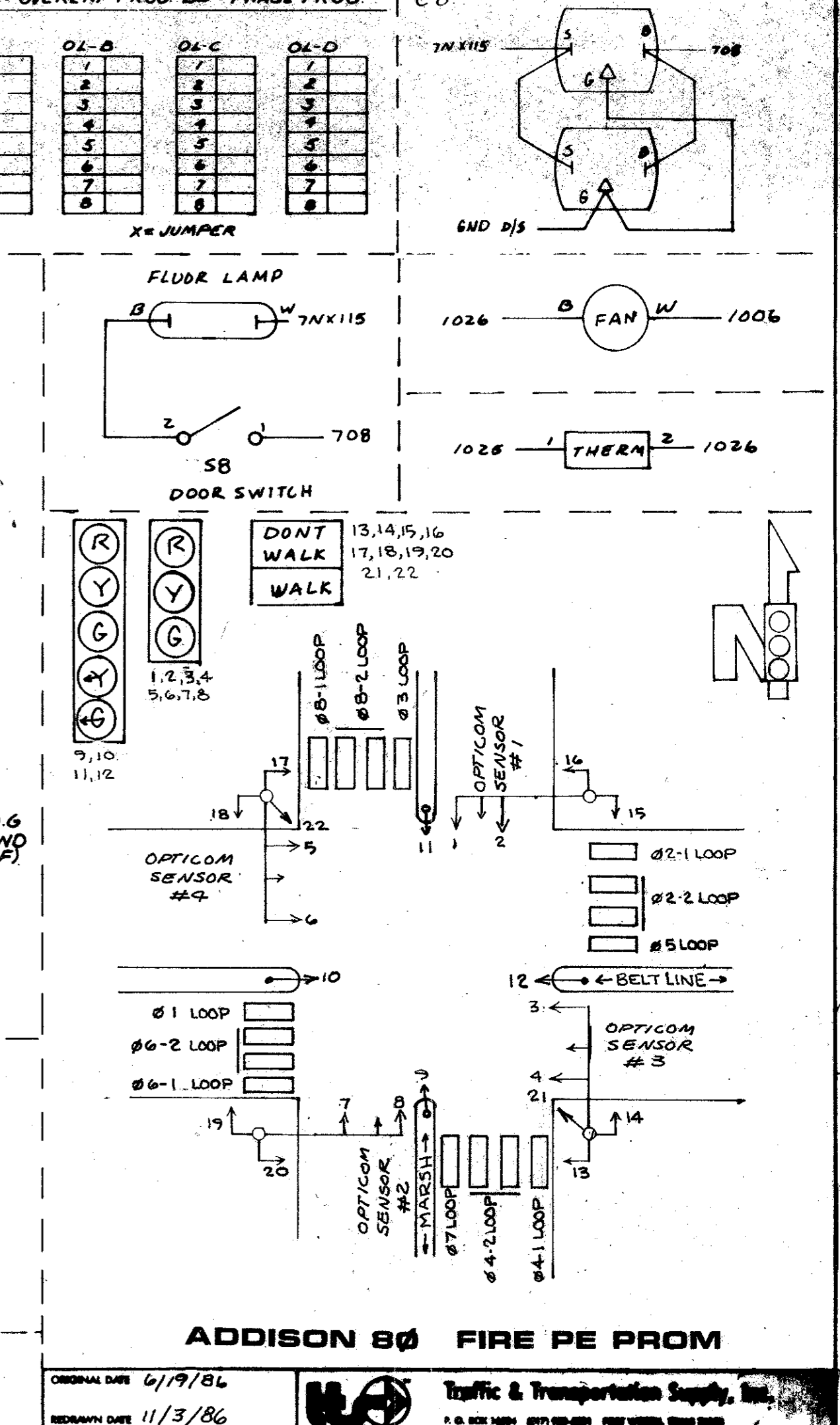
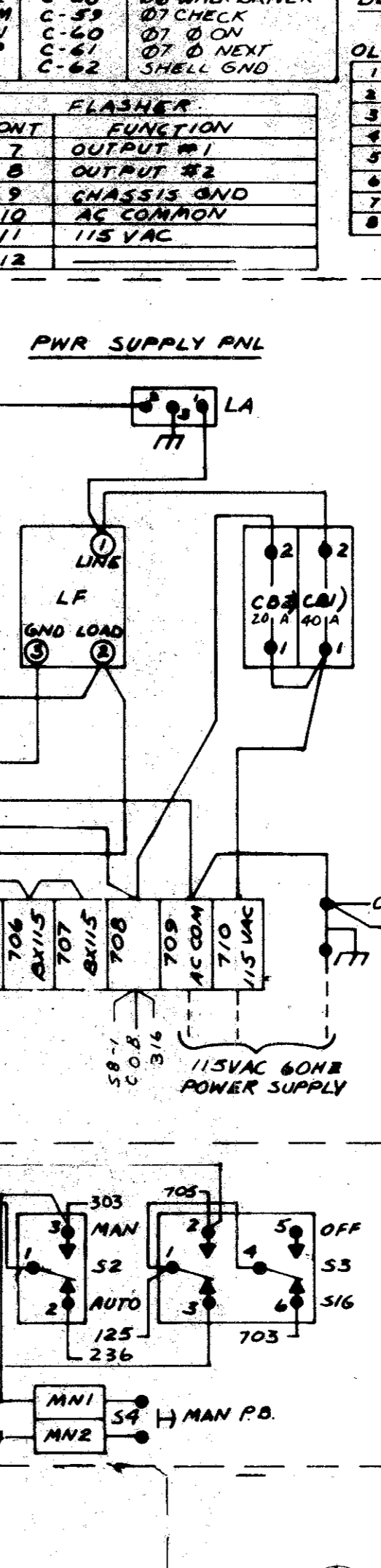
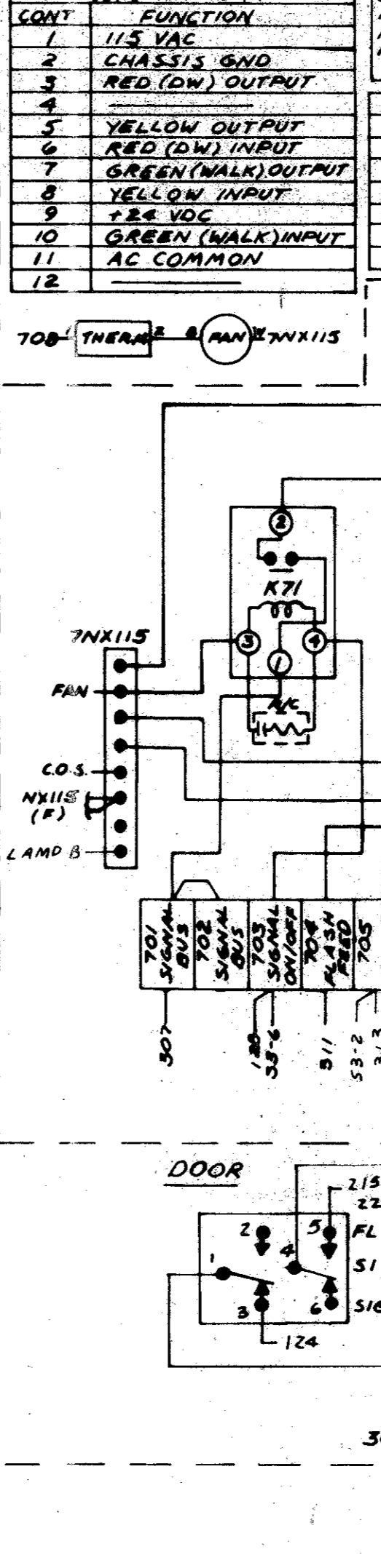
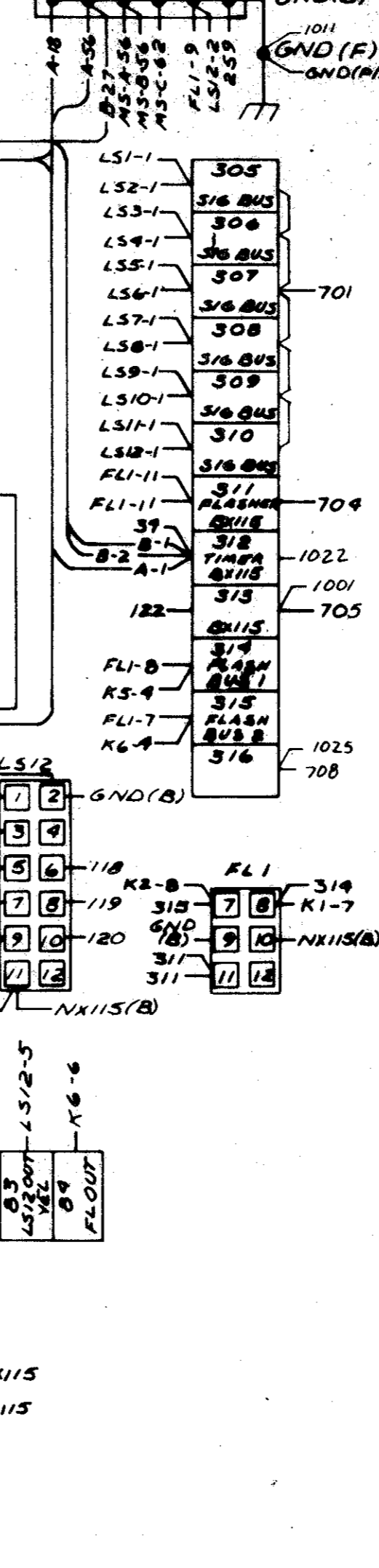
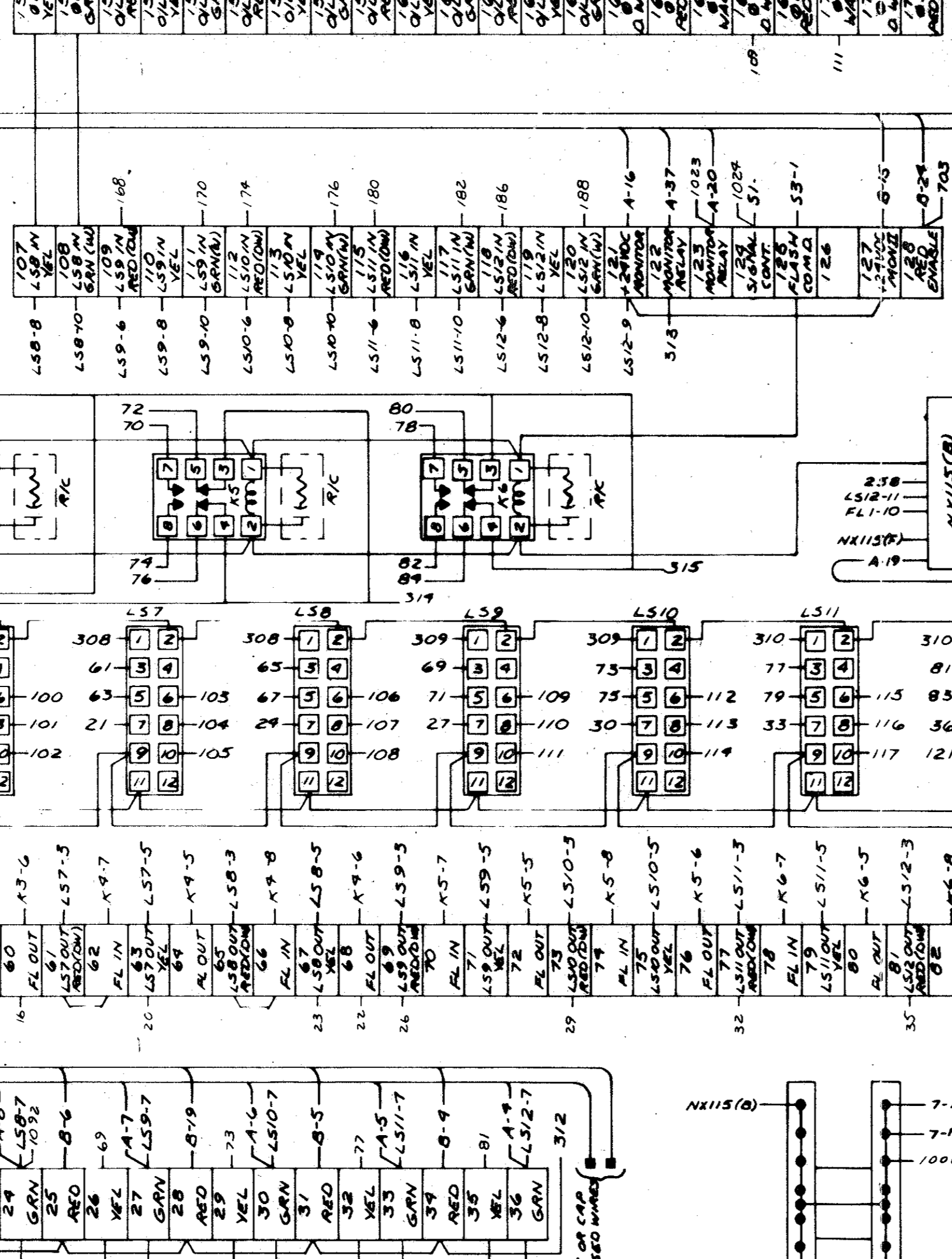
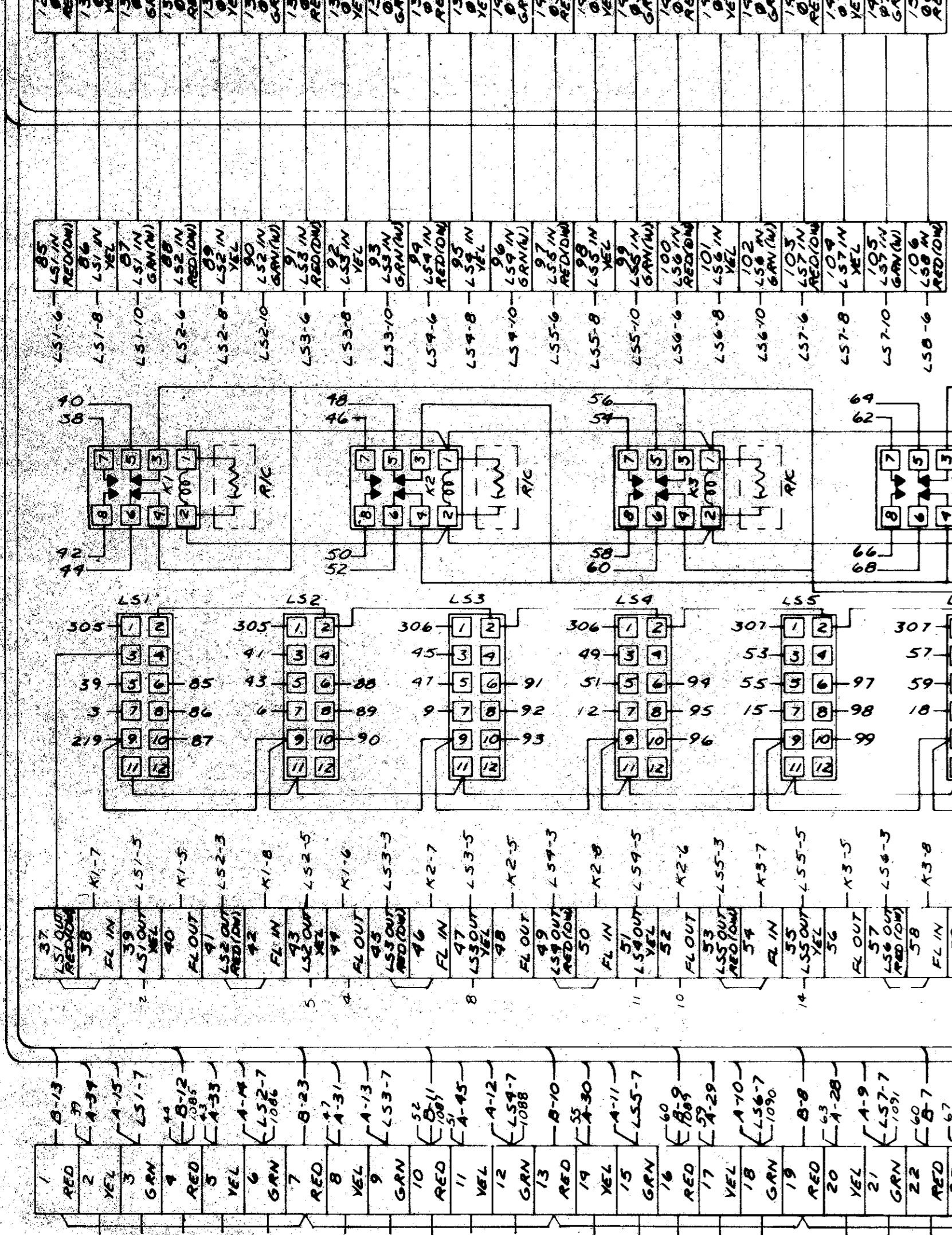


Table with columns for signal, wire number, and function. Includes sections for Signal 12, Signal 9, Signal 11, Signal 10, Signal 11, Signal 10, Signal 11, Signal 10.

Table with columns for signal, wire number, and function. Includes sections for Signal 12, Signal 9, Signal 11, Signal 10, Signal 11, Signal 10, Signal 11, Signal 10.

Table with columns for signal, wire number, and function. Includes sections for Signal 12, Signal 9, Signal 11, Signal 10, Signal 11, Signal 10, Signal 11, Signal 10.

Table with columns for signal, wire number, and function. Includes sections for Signal 12, Signal 9, Signal 11, Signal 10, Signal 11, Signal 10, Signal 11, Signal 10.

Table with columns for signal, wire number, and function. Includes sections for Signal 12, Signal 9, Signal 11, Signal 10, Signal 11, Signal 10, Signal 11, Signal 10.

Table with columns for signal, wire number, and function. Includes sections for Signal 12, Signal 9, Signal 11, Signal 10, Signal 11, Signal 10, Signal 11, Signal 10.

ADDITION 80 FIRE PE PROM. Includes original date 6/19/86, redrawn date 11/3/86, and other project information.