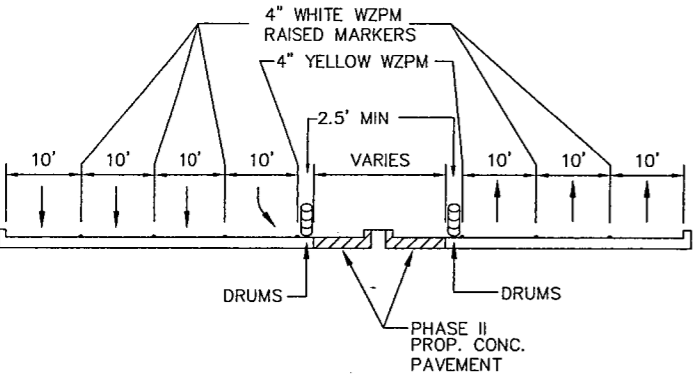
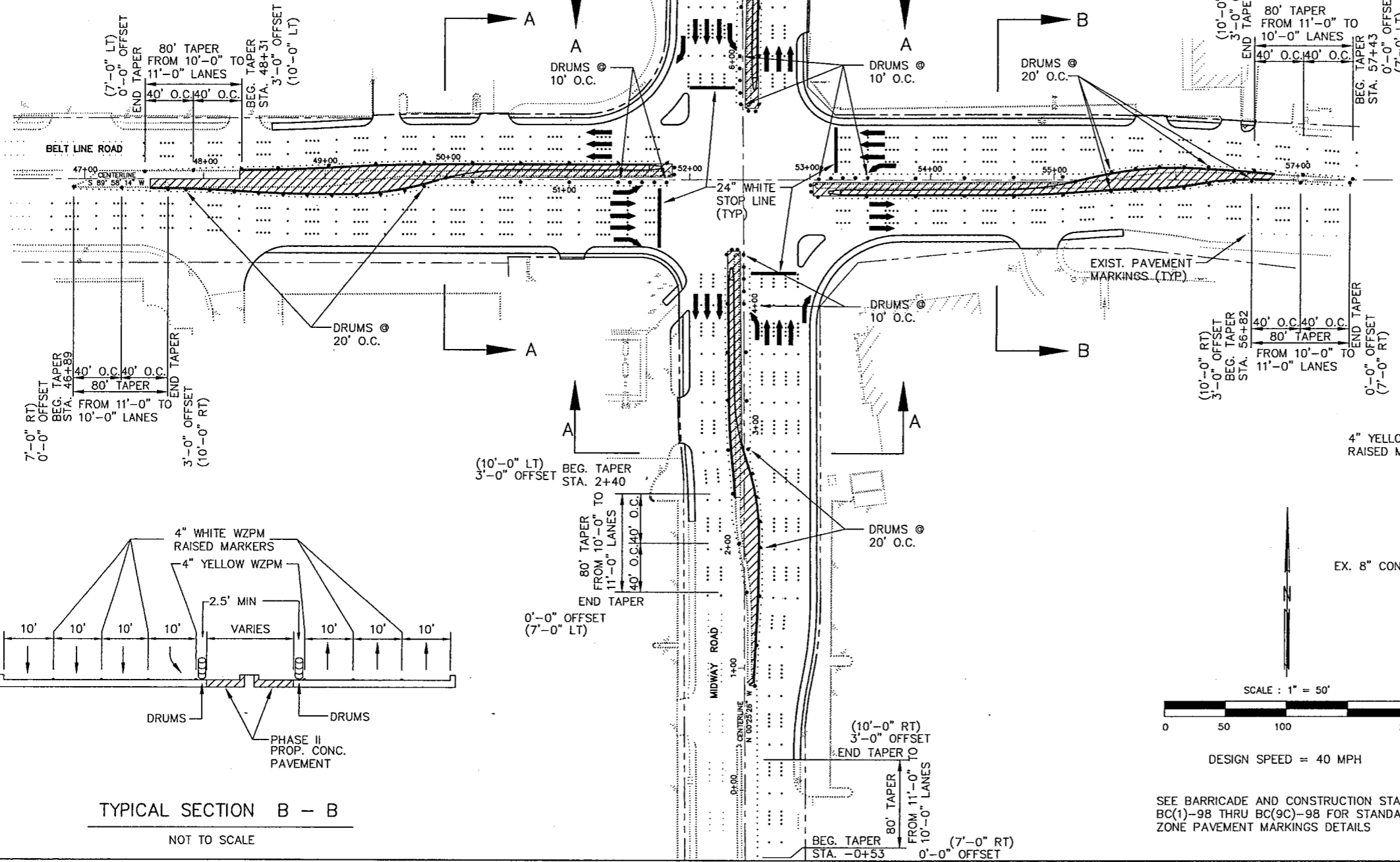
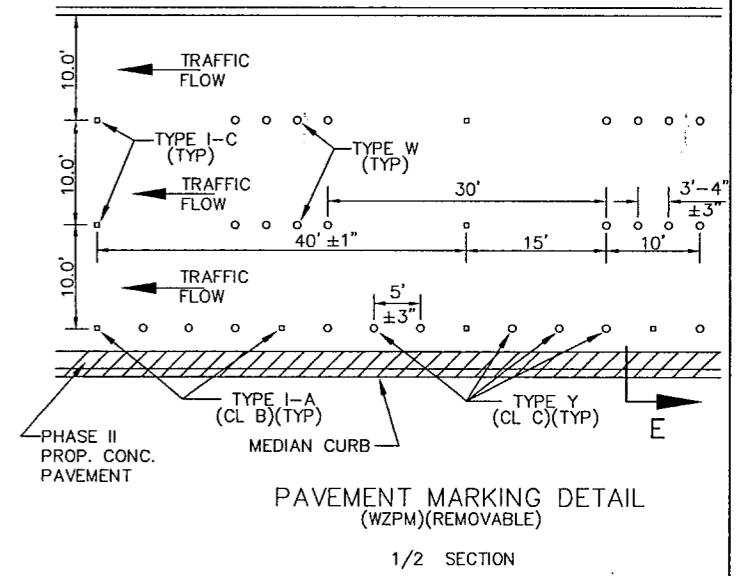


TYPICAL SECTION A - A
NOT TO SCALE



TYPICAL SECTION B - B
NOT TO SCALE



PAVEMENT MARKING DETAIL (WZPM)(REMOVABLE)
1/2 SECTION

LEGEND

- CONSTRUCTION AREA
- WZPM WORK ZONE PAVEMENT MARKINGS
- CONC. CONCRETE
- EXIST. EXISTING
- O.C. ON CENTER
- DRUMS @ 40' O.C.
- PAVEMENT MARKERS

SHEET 3 OF 4

BARTON-ASCHMAN ASSOCIATES, INC.

TRAFFIC CONTROL PLAN PHASE II BELT LINE ROAD AT MIDWAY ROAD ADDISON TRANSIT PASS ADDISON, TEXAS				
Texas Department of Transportation		DART		
REVISION	DATE	FED. ROAD DIV. No.	FEDERAL AID PROJECT No.	SHEET No.
		6	CM 97 (449)	//
		STATE	STATE DIST.	COUNTY
		TEXAS	DALLAS	DALLAS
DESIGNED BY:	R.A.Y.	CONT.	SECT.	JOB
DRAWN BY:	B.A.A.	8050	18	034 BELT LINE RD
CHECKED BY:	L.M.P.	BA FILE NAME :		

