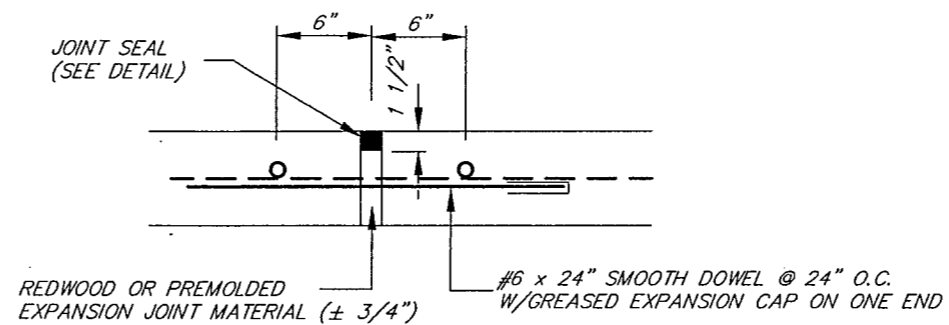
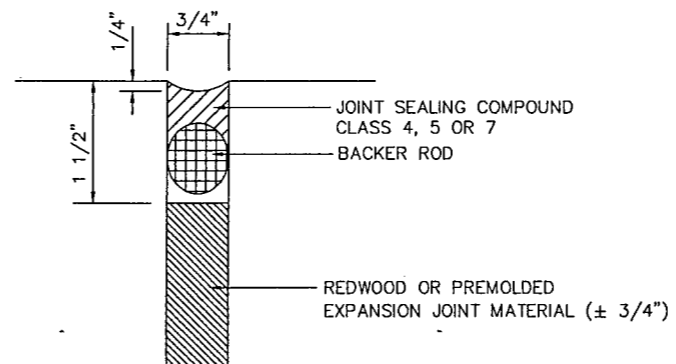


DUMMY JOINT



TRANSVERSE EXPANSION JOINT



JOINT SEAL

SHEET 2 OF 7

REVISED 9/2/97  
(Non Sheet) af

BARTON-ASCHMAN  
ASSOCIATES, INC.

MISCELLANEOUS DETAILS SHEET  
PAVEMENT JOINTS  
ADDISON TRANSIT PASS  
ADDISON, TEXAS

Texas Department of Transportation		DART	
REVISION	DATE	FED. ROAD DIV. No.	FEDERAL AID PROJECT NO.
		6	CM 97 (449)
		STATE	STATE DIST. COUNTY
		TEXAS	DALLAS DALLAS
		CONT.	SECT. JOB HIGHWAY No.
DESIGNED BY:	R.A.Y.	8050	18 034 BELT LINE RD
DRAWN BY:	B-A		
CHECKED BY:	L.M.P.		BA FILE NAME :

8/20/97  
9/2/97