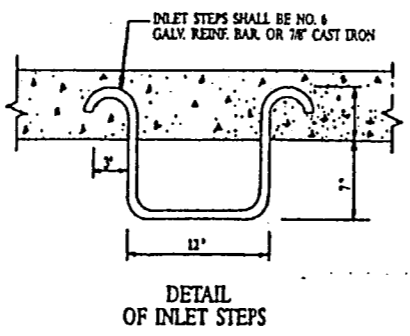
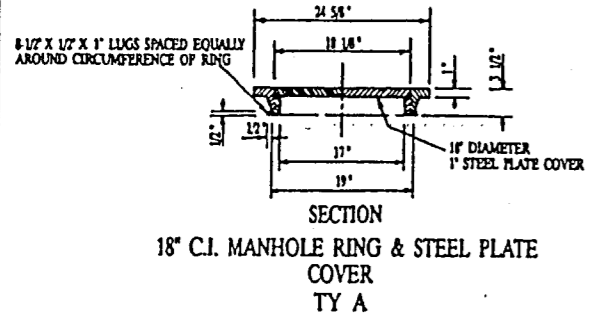
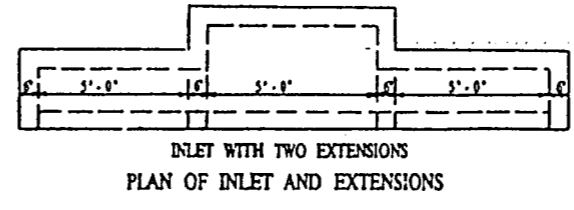
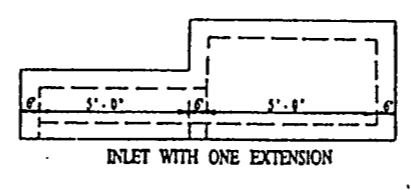
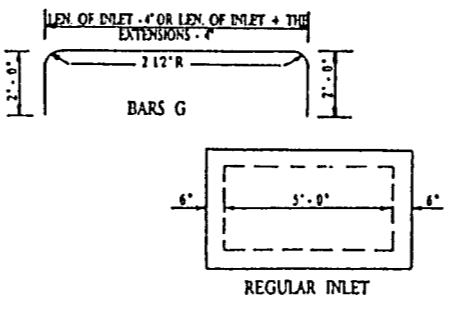
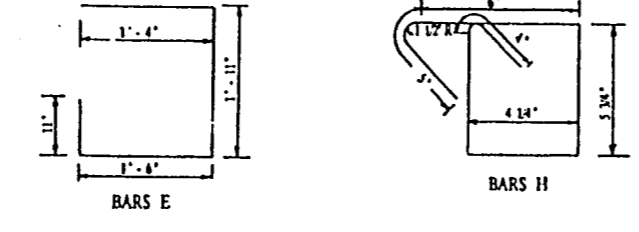
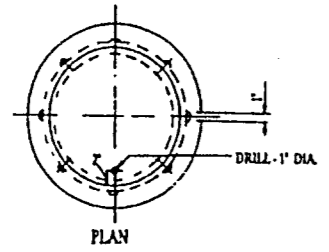
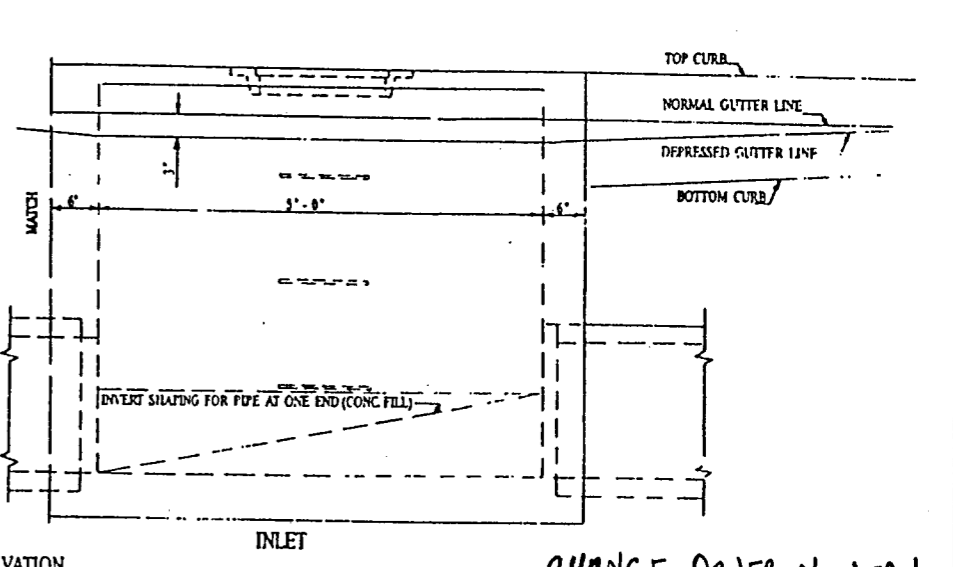
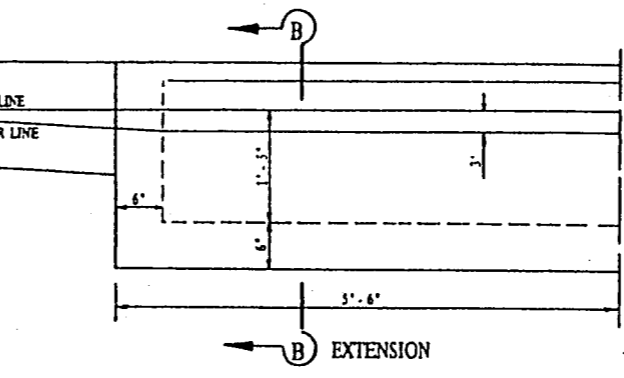
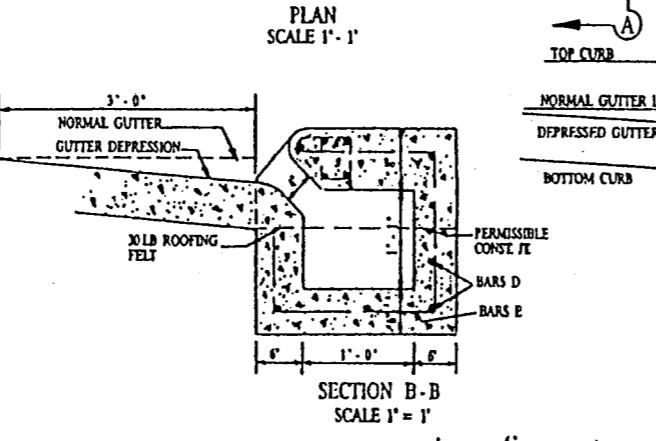
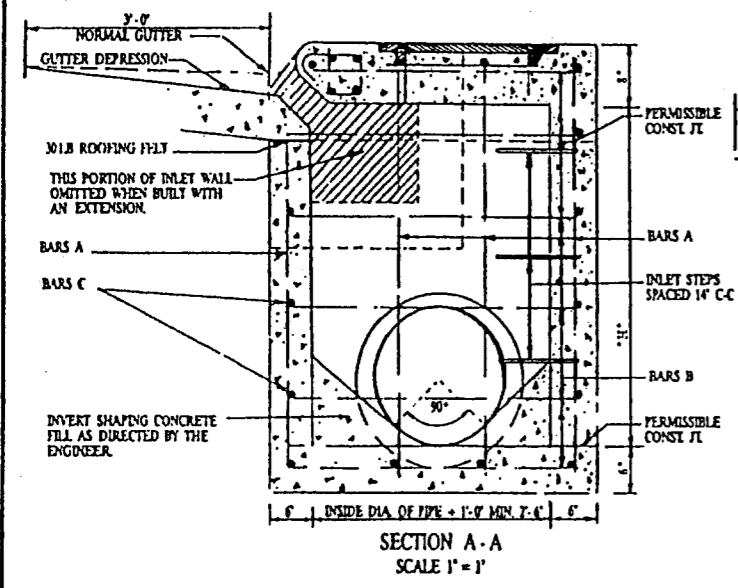
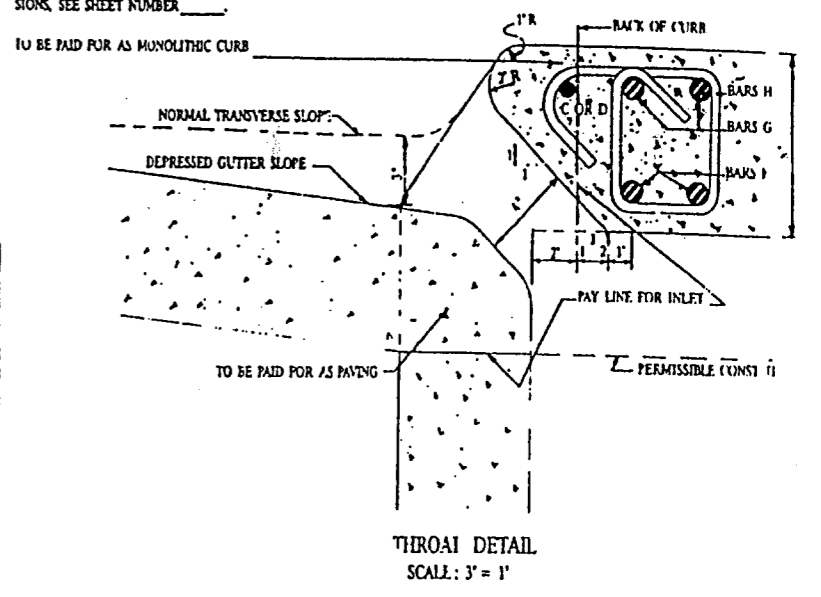
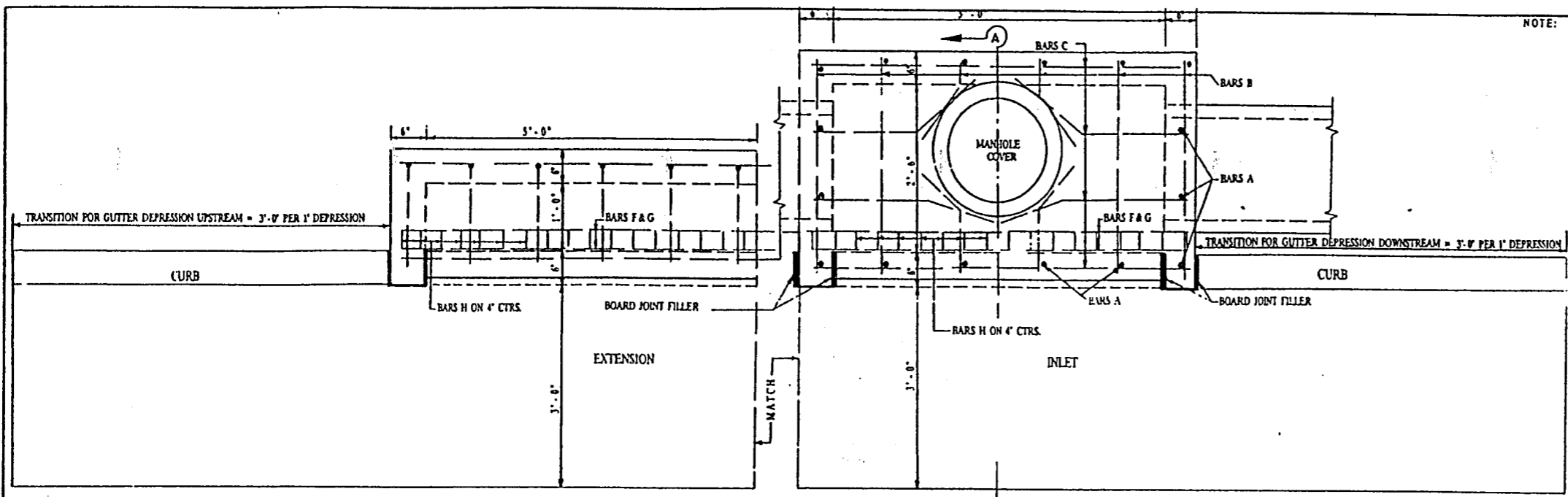


NOTE: DIMENSIONS FOR CURB SECTIONS VARY ACCORDING TO LIMITS OF PROPOSED CURB TYPES. FOR APPROPRIATE CURB DIMENSIONS, SEE SHEET NUMBER.



- GENERAL NOTES:
1. ALL CONCRETE SHALL BE CLASS A. ALL EXPOSED CORNERS SHALL BE CHAMFERED 3/4".
 2. CAST IRON STEPS, SPACED 14" AND LOCATED AS DIRECTED BY THE ENGINEER, SHALL BE PROVIDED AND INSTALLED IN ALL INLETS WHERE THE DEPTH EXCEEDS 4'-0".
 3. PAYMENT OF CURB INLETS AND EXTENSIONS THERETO AS SHOWN ON THE PLANS WILL BE MADE AT THE UNIT PRICE BID FOR 'INLET (COMPLETE) (TYPE I)', 'INLET EXTENSION'.
 4. DIMENSIONS RELATING TO REINFORCING STEEL ARE TO CENTERS OF BARS.
 5. SEE SHEET NO. _____ FOR INLET SUMMARY OF CONCRETE AND REINFORCING STEEL.

CURB INLET TYPE I DETAILS

TxDOT DISTRICT 18 STANDARD

CHANGE ORDER Number 10

FED. AID PROJ. NO.	SHEET NO.
6	33A
STATE	COUNTY
TEXAS	DALLAS
CONTROL SECTION	JOB
8056 18	024 BELTLINE