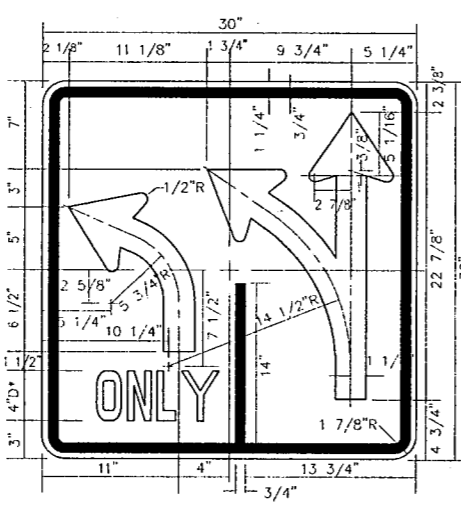
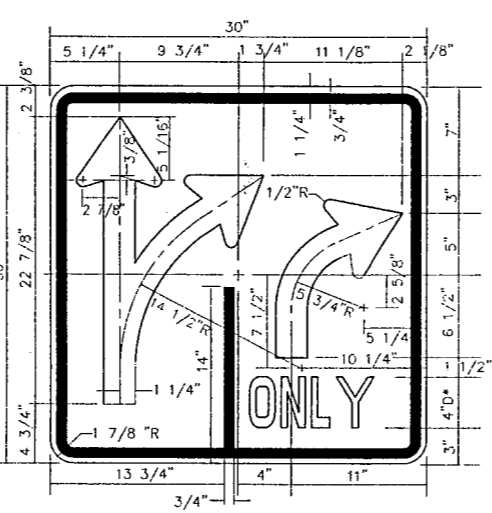


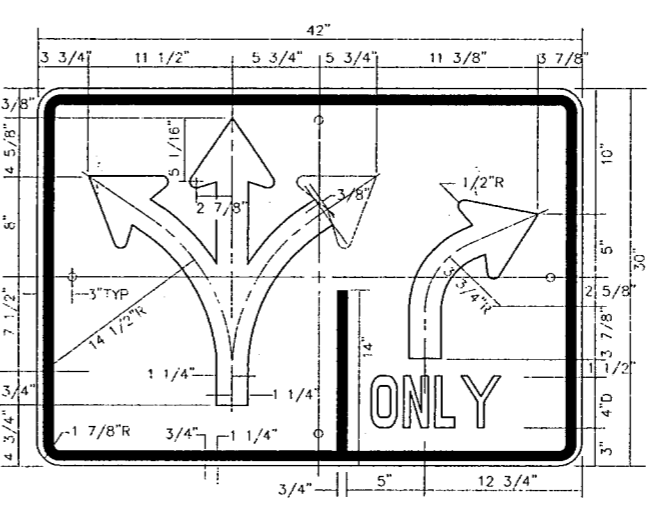
R3-8RR  
30"x 30"



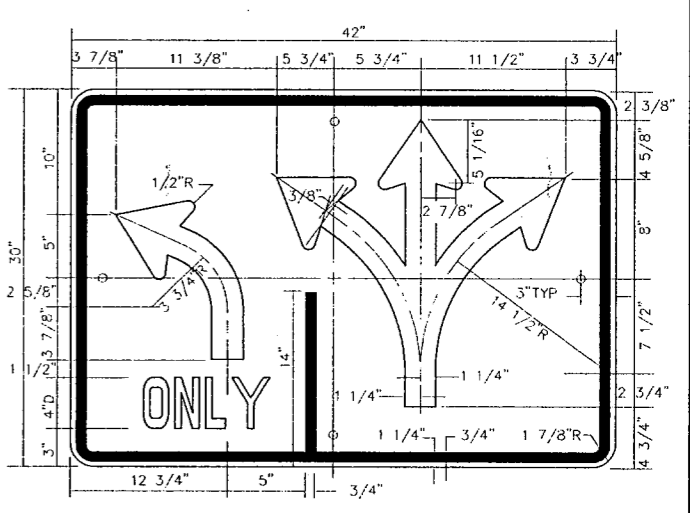
\* SPACING REDUCED 50%  
R3-8L  
30"x 30"



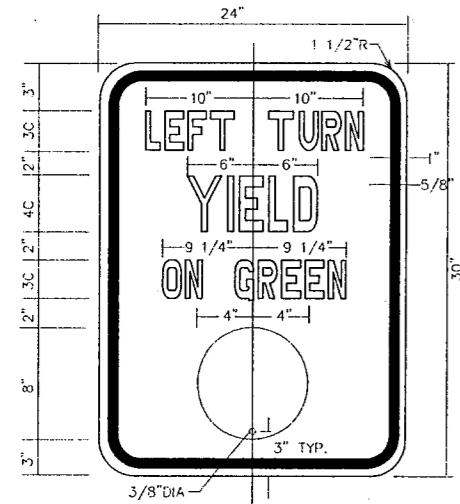
R3-8R  
30"x 30"



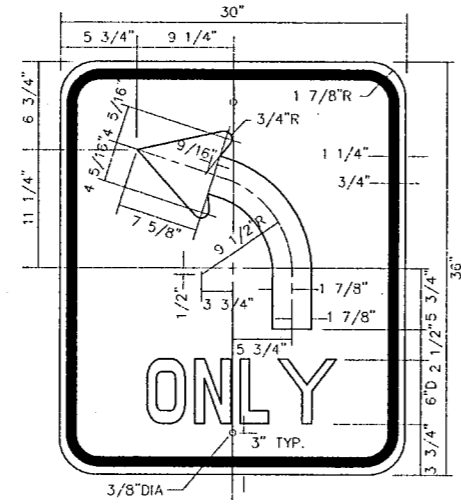
R3-8R(SPL)  
42"x 30"



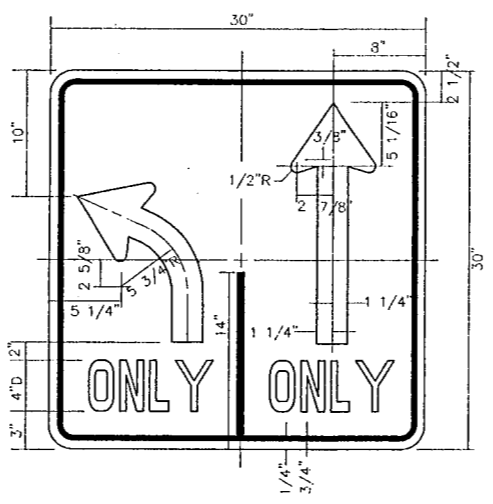
R3-8L(SPL)  
42"x 30"



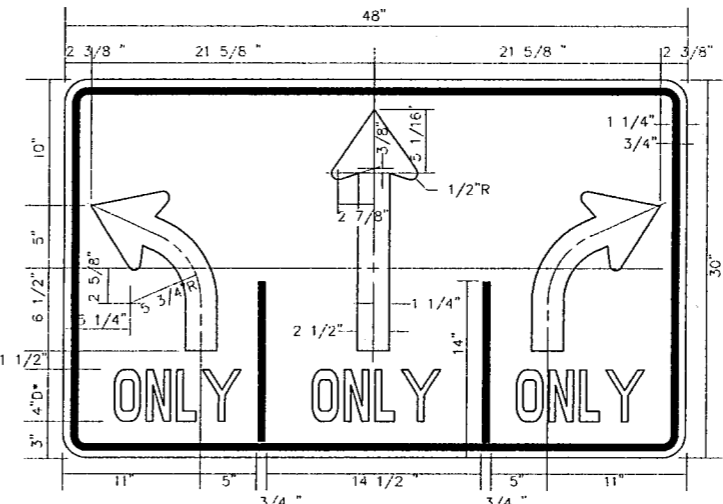
R10-12  
24"x 30"  
LEGEND BLACK(NON-REFLECTIVE)  
BACKGROUND WHITE(REFLECTIVE)  
CIRCULAR GREEN(REFLECTIVE)



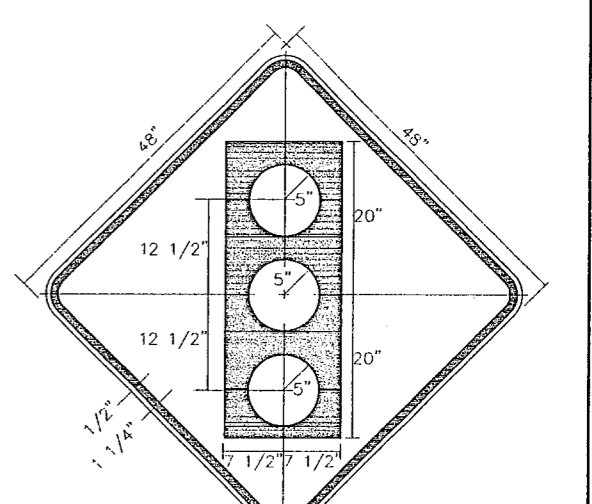
R3-5L  
R3-5R(RT. ARROW)  
30"x 36"



R3-8LS  
30"x 30"



R3-8RSL  
48"x 30"

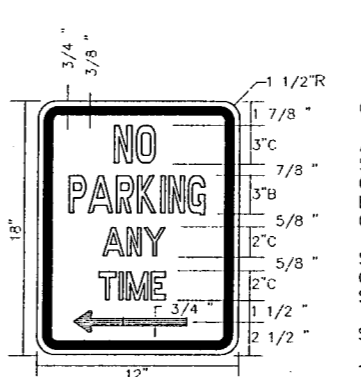
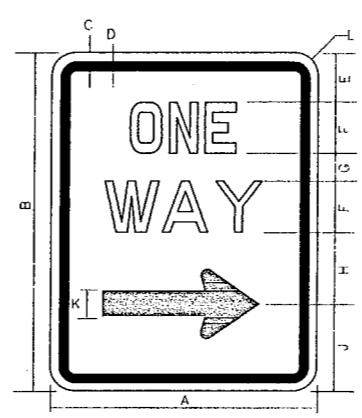


SW3-3  
48"x 48"

COLORS  
SYMBOL & LEGEND- BLACK (NON-REFL.)  
TOP CIRCLE - RED (REFL.)  
BOTTOM CIRCLE - GREEN (REFL.)  
BACKGROUND - YELLOW (REFL.)  
TYPE C REFLECTIVE SHEETING



CIRCLE AND DIAGONAL - RED  
SYMBOL & BORDER - BLACK  
BACKGROUND - WHITE



R7-1L  
R7-1R(RT ARROW)  
R7-1L(DBL ARROW)  
12"x 18"

GENERAL NOTES:  
ALPHABETS AND LATERAL SPACING BETWEEN LETTERS AND NUMERALS SHALL CONFORM WITH THE FEDERAL HIGHWAY ADMINISTRATION'S "MANUAL ON UNIFORM TRAFFIC CONTROL DEVICES FOR STREETS AND HIGHWAYS", LATEST EDITION AND ANY APPROVED CHANGES THERETO. LATERAL SPACING OF TEXT SHALL BE SUCH AS TO PROVIDE A BALANCED APPEARANCE.  
SIGN BACKGROUNDS SHALL BE OF FLAT SURFACE REFLECTIVE SHEETING CONFORMING WITH THE SPECIFICATIONS (TYPE A) UNLESS OTHERWISE SPECIFIED IN THE PLANS.  
SIGN LEGENDS SHALL BE APPLIED BY THE SCREENING PROCESS.  
THE SIGN BLANKS SHALL BE ONE PIECE 5/8 INCH THICK PLYWOOD (TYPE A) CONFORMING TO THE SPECIFICATIONS UNLESS ATTACHED TO SIGNAL POLES.  
THE SIGN BLANKS SHALL BE ONE PIECE SHEET ALUMINUM ALLOY 0.080 INCH THICK CONFORMING TO THE ITEM "ALUMINUM SIGNS (TYPE A)" WHEN ATTACHED TO SIGNAL POLES.

SIGN NO.	SIGN	DIMENSIONS (INCHES)								
		A	B	C	D	E	F	G	H	
R10-9	STD.	12	18	3/8	3/4	2	2	C	1	1 1/2
SR10-9S	EXPWY.	18	30	3/8	3/4	3	3	C	1 1/2	1 1/2
SR10-9	FRWY.	24	36	5/8	1	4	4C*	2	1 1/2	

\* - REDUCE SPACING 40%

SIGN NO.	SIGN	DIMENSIONS (INCHES)												
		A	B	C	D	E	F	G	H	J				
R9-3a	STD.	18	1	5/8	3	1/25	1/2	6	3/8	7	7/8	1 1/2	1 1/2	
ER9-3a	EXPWY.	24	1	5/8	4	1/27	1/2	8	1/2	10	1/2	2	1 1/2	
FR9-3a	FRWY.	30	1	1/4	3/4	5	3/49	1/4	10	5/8	13	1/8	2 1/2	7/8

SIGN NO.	SIGN	DIMENSIONS (INCHES)														
		A	B	C	D	E	F	G	H	J	K	L				
R6-2	STD.	18	24	1	5/8	2	1/2	5D	1 1/2	4	1/2	5	1/2	2	1/4	1 1/2
SR6-2	SPEC.	24	30	1	5/8	3	6D	1	7/8	6	1/16	7	1/16	3	1	1/2

SIGNS

DALLAS DISTRICT STANDARD

FED. AID DIV. NO.		FEDERAL AID PROJECT NO.		SHEET NO.
6		CM 97 (449)		54
STATE	STATE DIST.	COUNTY		
TEXAS	DALLAS	DALLAS		
CONT.	SECT.	JOB	HIGHWAY NO.	
8050	18	034	BELT LINE	