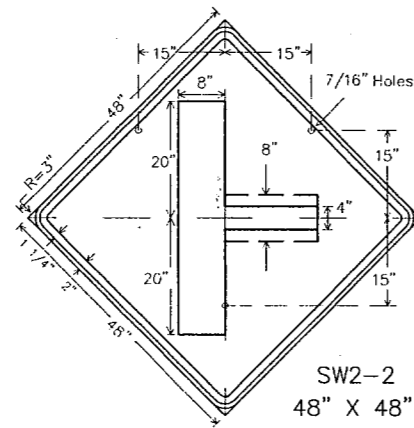
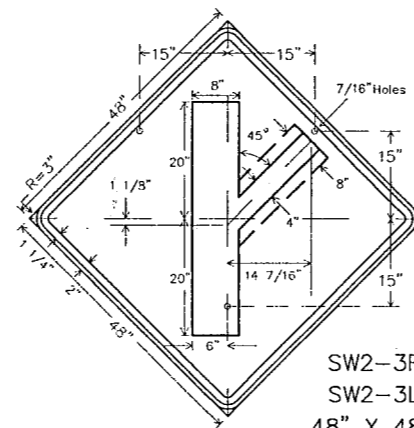


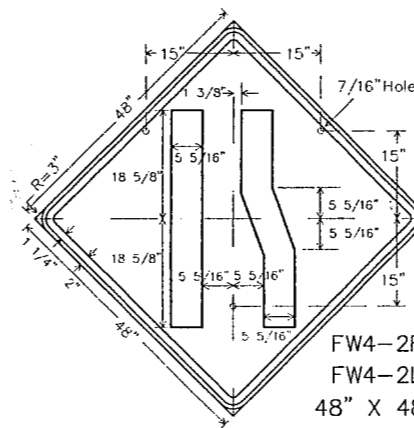
SW2-1
48" X 48"



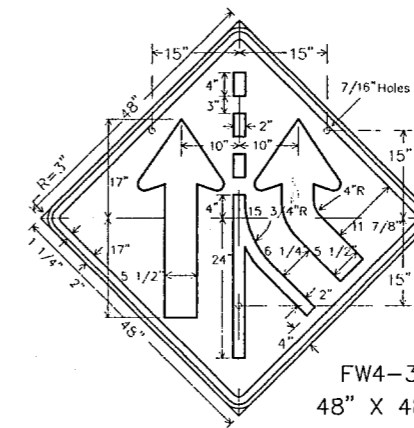
SW2-2
48" X 48"



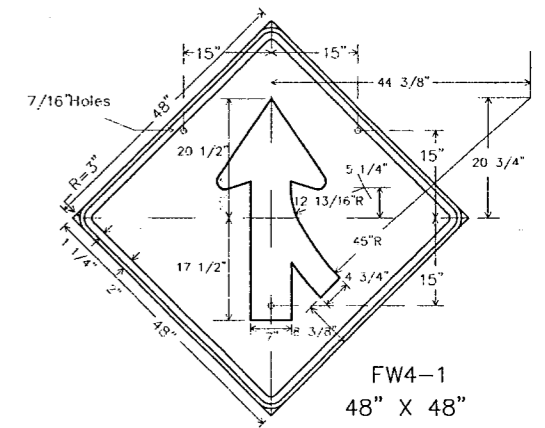
SW2-3R
SW2-3L
48" X 48"



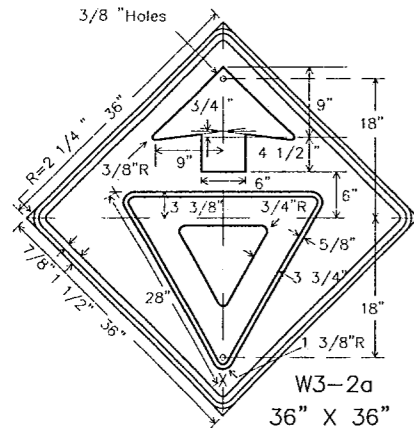
FW4-2R
FW4-2L
48" X 48"



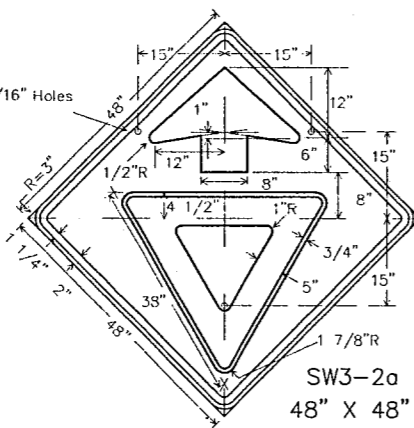
FW4-3
48" X 48"



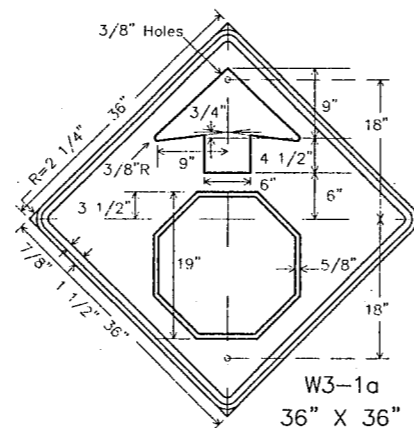
FW4-1
48" X 48"



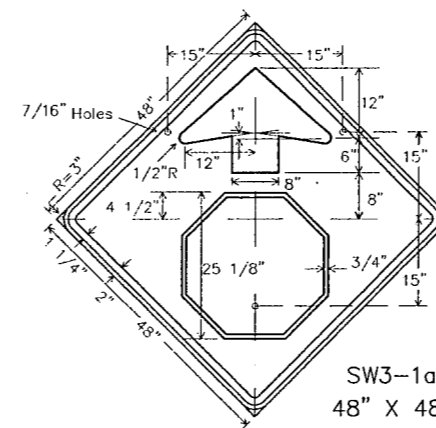
W3-2a
36" X 36"



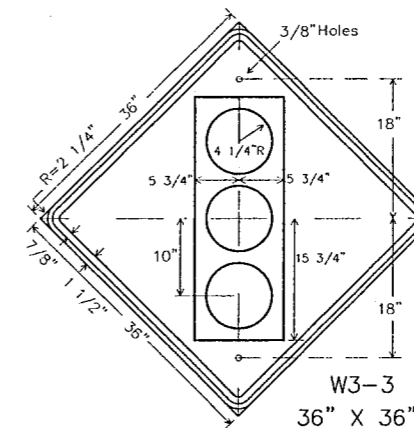
SW3-2a
48" X 48"



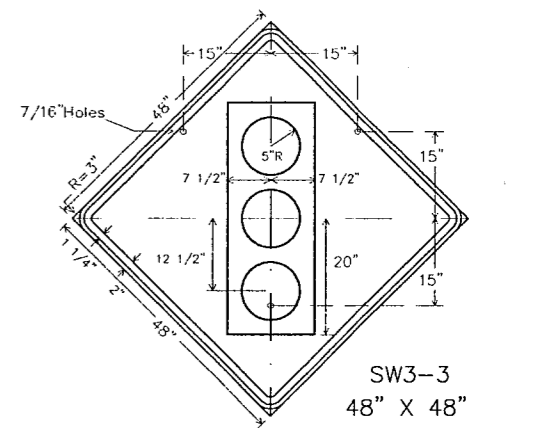
W3-1a
36" X 36"



SW3-1a
48" X 48"

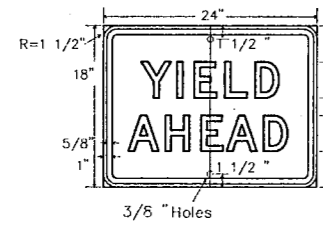


W3-3
36" X 36"

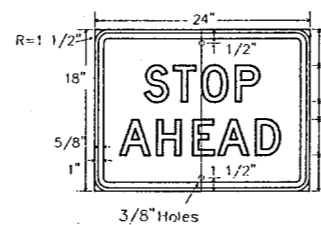


SW3-3
48" X 48"

Border and Arrow - Black
Symbol - Red Border Band on
White Background (Ref)
Background - Yellow Reflective



Border and Arrow - Black
Symbol - Red Border Band on
White Background (Ref)
Background - Yellow Reflective

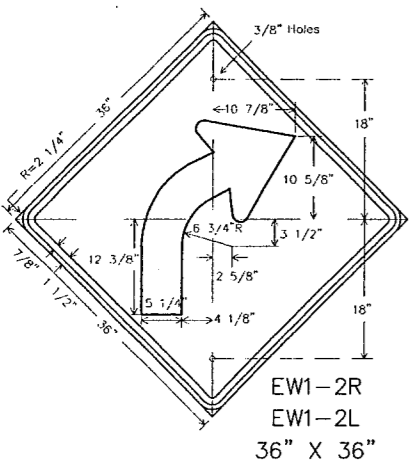


Border and Arrow - Black
Symbol - White Border on
Red Background (Ref)
Background - Yellow Reflective

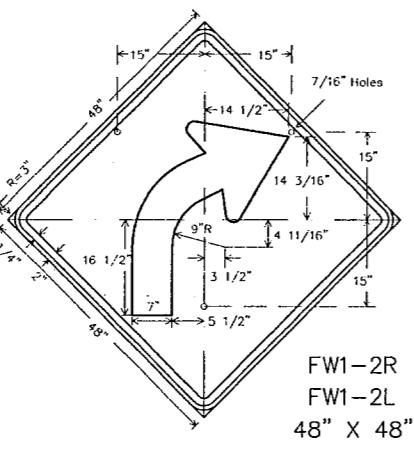
Border and Arrow - Black
Symbol - White Border on
Red Background (Ref)
Background - Yellow Reflective

Symbol and Border - Black
Top Circle - Red Reflective
Bottom Circle - Green Reflective
Background - Yellow Reflective

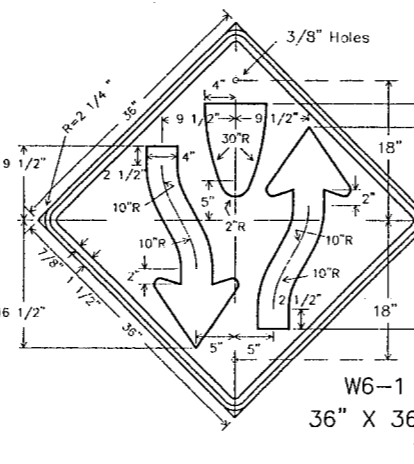
Symbol and Border - Black
Top Circle - Red Reflective
Bottom Circle - Green Reflective
Background - Yellow Reflective



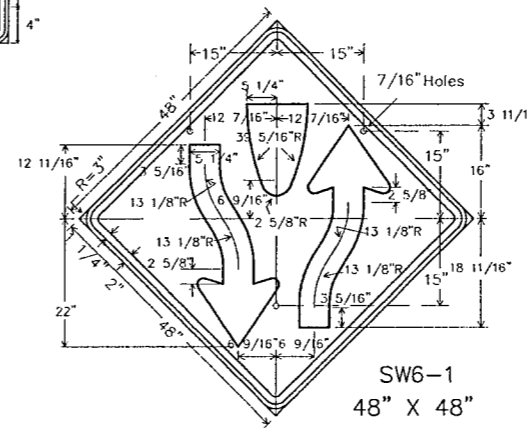
EW1-2R
EW1-2L
36" X 36"



FW1-2R
FW1-2L
48" X 48"



W6-1
36" X 36"



SW6-1
48" X 48"

SPECIFICATION REFERENCE TABLE		MATERIALS AND TESTS DIVISION SPECIFICATIONS	
PLYWOOD SIGN BLANKS	D-9-7100	REFLECTIVE SHEETING, TYPE C (HIGH SPECIFIC INTENSITY)	D-9-8300
VINYL NON-REFLECTIVE DECAL SHEETING	D-9-8320		

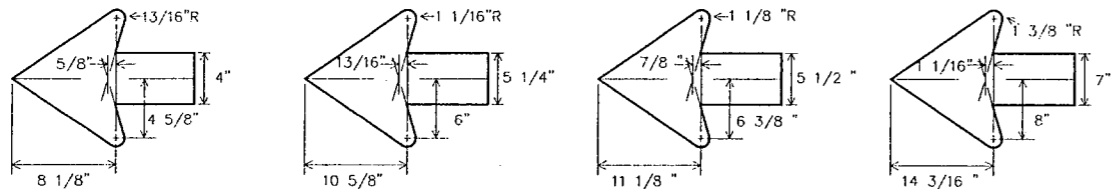
GENERAL NOTES:

The alphabets and lateral spacing between letters and numerals shall conform with the Texas "Manual on Uniform Traffic Control Devices for Streets and Highways", latest edition, and any approved changes thereto. Lateral spacing of text shall provide a balanced appearance. All materials shall conform to Department Specifications.
Legend (except where noted), shall be applied by screening process of black and/or reflective colored ink, cut-out black vinyl non-reflective decal sheeting and/or reflective sheeting or combination thereof. Background shall be yellow reflective sheeting (Type C).
Sign blanks shall be one piece 5/8 inch thick plywood (Type A), unless otherwise noted elsewhere in the plans.

DN: LR
CK: CW
DW: DN
CK: MT

DATE: 11/15/81
ACC: d58hplc/usr/d580504
FILE: 495051223232422627282930313233343536373839404142434445464748495051525354555657585960616263

ARROWHEAD DETAILS



STANDARD PLANS
TEXAS DEPARTMENT OF TRANSPORTATION
Traffic Operations Division

WARNING SIGNS

W(1)-95

ORD DRAW DATE: JAN. 1981	DN-LR	CK-	DW-DN	CK-	REV NO:
1-85	DALLAS	6	CM 97 (449)		58
7-90					
8-95					