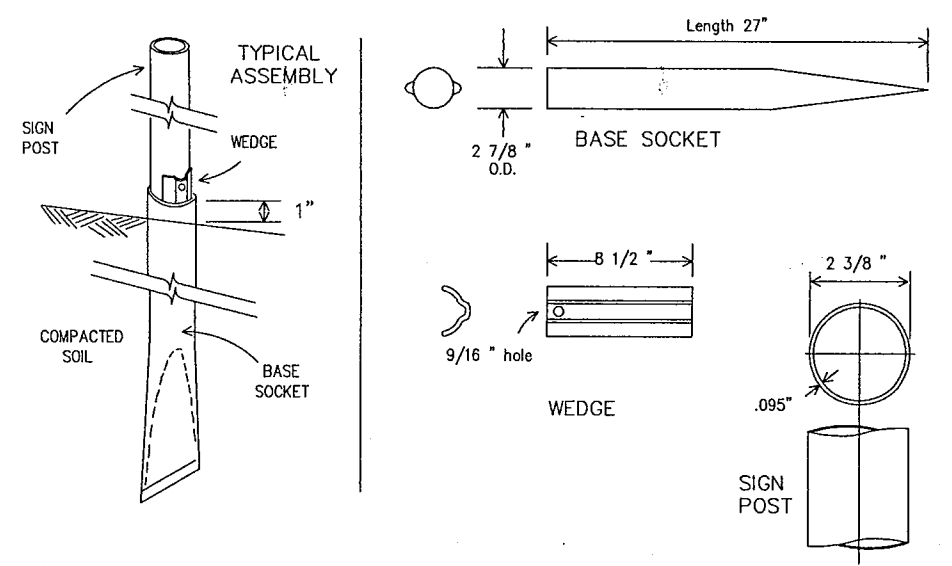


DISCLAIMER
 The use of this standard is governed by the "Texas Engineering Practice Act". No warranty of any kind is made by TxDOT for any purpose whatsoever. TxDOT assumes no responsibility for the conversion of this standard to other formats or for incorrect results or damages resulting from its use.

LEVELS DISPLAYED	DATE:
1 2 3 4 5 6 7 8 9 10 11 12 13 14 15 16	7/18/98
17 18 19 20 21 22 23 24 25 26 27 28 29 30 31 32	ACC:
33 34 35 36 37 38 39 40 41 42 43 44 45 46 47 48	FILE:
49 50 51 52 53 54 55 56 57 58 59 60 61 62 63	

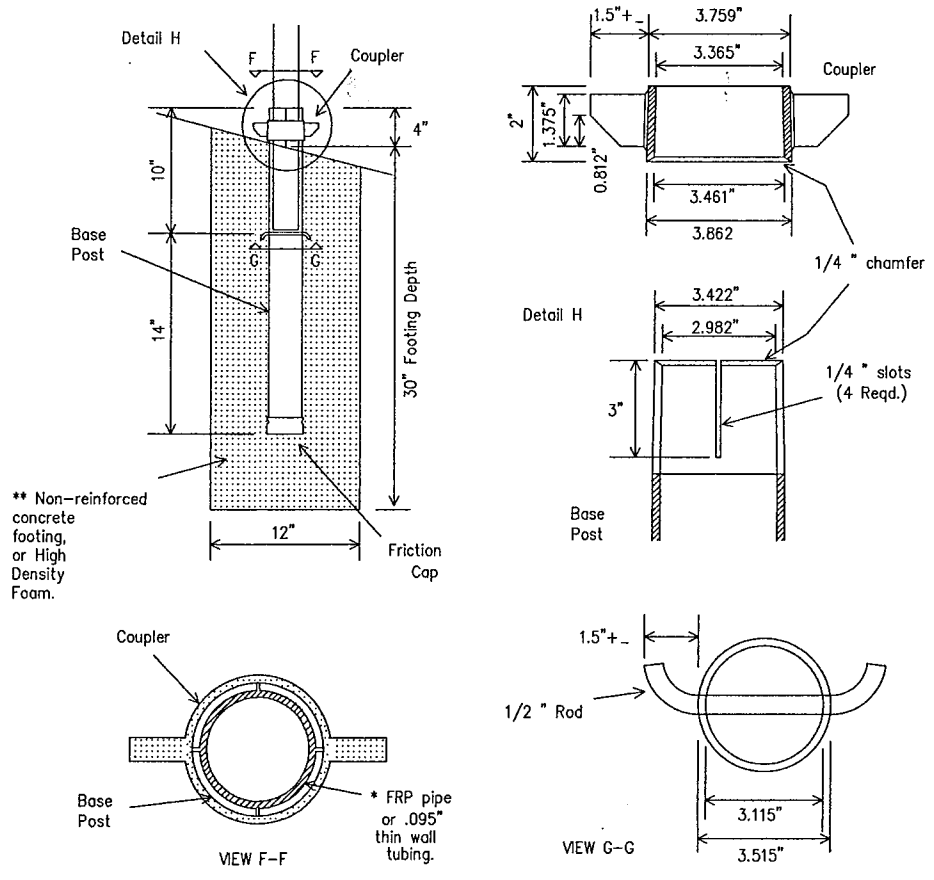
POZ-LOC (Driveable) TYPE III BARRICADE (POST TYPE)



GENERAL NOTES FOR THIN WALL TUBE TYPE SIGN SUPPORT:

1. The BASE SOCKET is formed from 2 7/8 " O.D. x 12 gauge galvanized pipe.
2. The WEDGE is formed from 11 gauge steel galvanized per ASTM A525.
3. The SIGN POST is 2.375" O.D. x 0.095" thin wall tubing.
4. Steel Supports shall be made from new material and shall be corrosion resistant. Steel supports shall be galvanized in accordance with ASTM Designations A123 or A525 (G-90 or better).
5. Supports shall be straight within 1/4 " per 5 feet of length and shall have a smooth, uniform finish free from defects affecting strength or appearance. Any bolt holes and sheared ends shall be free from burrs. Bases of multisection supports shall not extend more than 5 inches above ground when installed.
6. Bolts, nuts, screws, washers and other miscellaneous hardware shall be galvanized in accordance to ASTM Designation: A153 Class C or D, or B695 Class 50.
7. Barricade supports systems used on this sheet may be suitable for only certain soil types. The contractor is responsible for selecting the appropriate support system for soil conditions on each project.

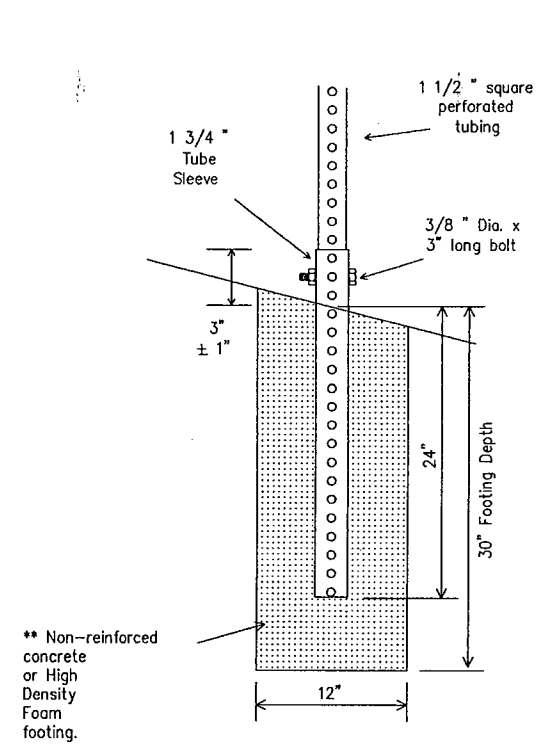
UNIVERSAL ANCHOR SYSTEM



** Non-reinforced concrete footing, or High Density Foam.

- * Plastic insert must be used with 1/16 " thin wall tubing.
- ** Footing shall be removed and backfilled when barricade is removed.

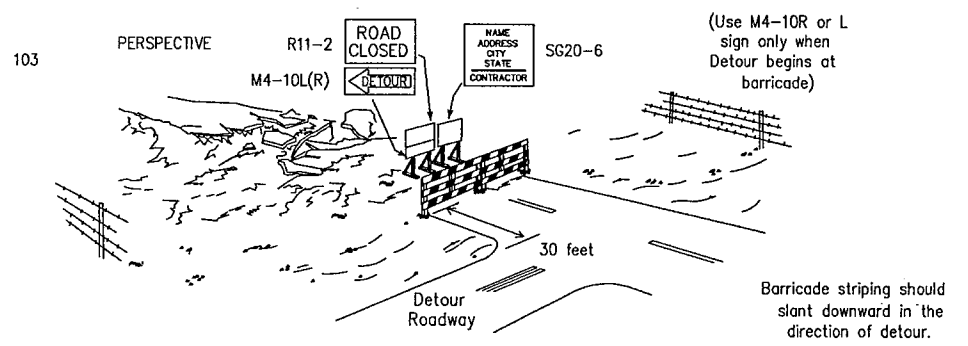
SQUARE TUBING



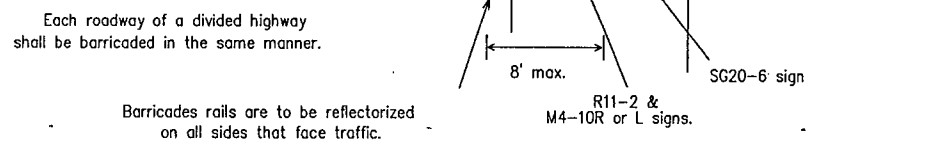
** Non-reinforced concrete or High Density Foam footing.

Barricades shall NOT be used as a sign support.

TYPE III BARRICADE (POST TYPE) TYPICAL APPLICATION

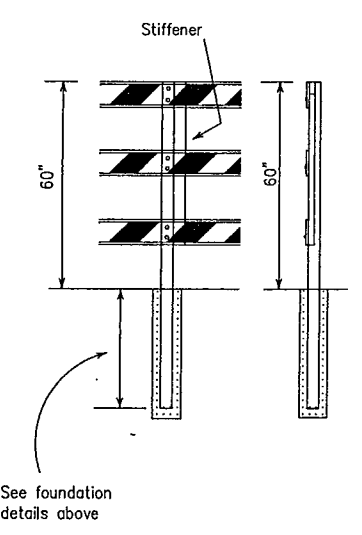


PLAN

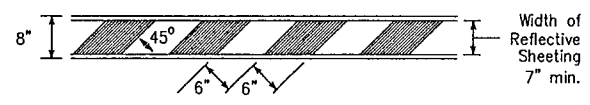


- 1). R11-2 and M4-10 signs should be mounted on independent supports at 7 foot mounting height in center of roadway.
- 2). Advance signing, including construction warning signs, and detour signing shall be as specified elsewhere in the plans.

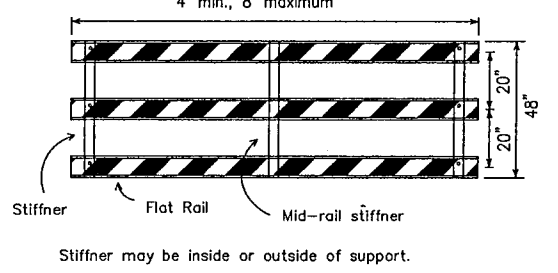
TYPE III BARRICADE (POST)



TYPICAL STRIPING DETAIL FOR BARRICADE RAIL



TYPICAL PANEL DETAIL FOR SKID OR POST TYPE BARRICADES



* For dimensions of components refer to TxDOT approved products list.

Barricades shall be made using pre-qualified materials. A list of compliant products and their sources may be obtained by writing or faxing:
 Standards Engineer
 Traffic Operations Division - TE
 Texas Department of Transportation
 125 East 11th Street
 Austin, Texas 78701-2483
 Phone (512) 416-3335
 Fax (512) 416-3161
 E-mail TRF-STANDARD@mailgw.dot.state.tx.us

STANDARD PLANS					
TEXAS DEPARTMENT OF TRANSPORTATION					
Traffic Operations Division					
BARRICADE AND CONSTRUCTION STANDARDS					
BARRICADES (POST TYPE) BC(3)-98					
© TxDOT February 1998					
REVISED	STATE PROJECT	DR- LR	CC- DTN	DR- DN	CC- GB
	DALLAS 6		CM 97 (449)		64
	COUNTY	CONTROL	SECTION	JOB	HIGHWAY
	DALLAS	8050	18	034	BELT LINE