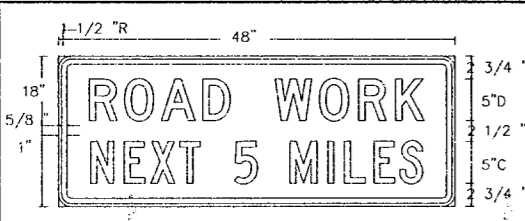
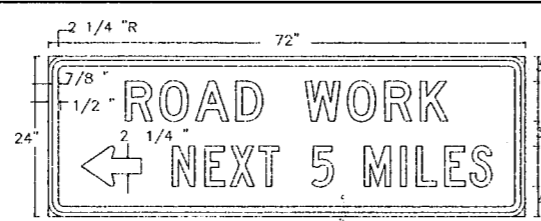


DISCLAIMER
The use of this standard is governed by the "Texas Engineering Practice Act". No warranty of any kind is made by TxDOT for any purpose whatsoever. TxDOT assumes no responsibility for the conversion of this standard to other formats or for incorrect results or damages resulting from its use.

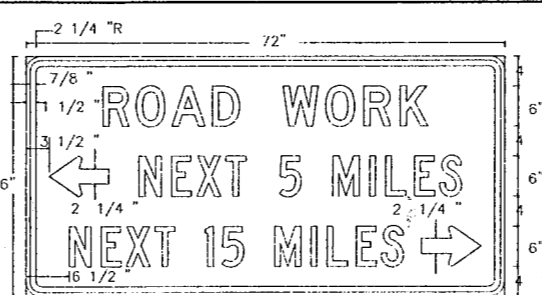
DN: 4
CK: 5
DW: 6
OK: 7
LEVELS DISPLAYED
1 4 5 6 7 8 9 10 11 12 13 14 15 16
DATE: 7/8/99
ACC: 2021223242526272829303132
FILE: 33343536373839404142434445464748
495051525354555657585960616263



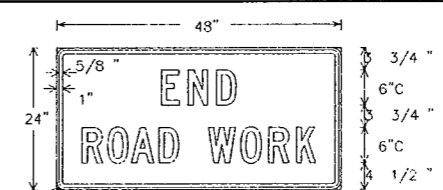
SG20-1
48" X 18"
Letters - Black
Numbers - Black
Border - Black
Background - Orange Refl.



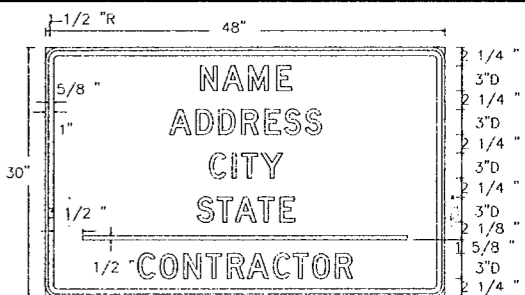
G20-1bL(R)
72" X 24"
Letters - Black
Numbers - Black
Border - Black
Background - Orange Refl.



G20-1a
72" X 36"
Letters - Black
Numbers - Black
Border - Black
Background - Orange Refl.

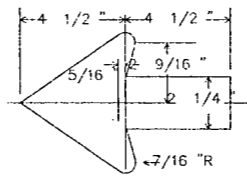


G20-2a
48" X 24"
Letters - Black
Border - Black
Background - Orange Refl.

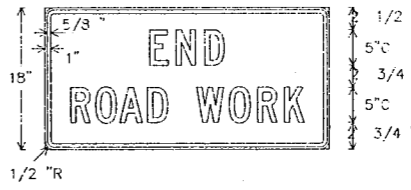


SG20-6
48" X 30"
Letters - Black
Border - Black
Background - Orange Refl. or White Refl. (optional)

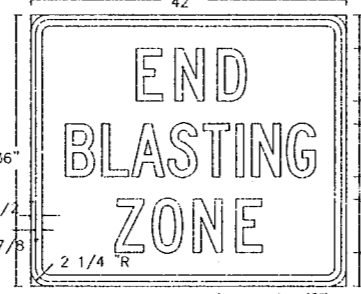
NOTE:
G20-1 Series signs shall show distances rounded to nearest whole mile. Fractions and decimal miles will not be used.



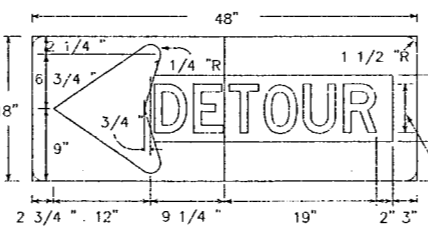
SG20-2a
36" X 18"
Letters - Black
Border - Black
Background - Orange Refl.



CW22-2a
60" X 36"
Letters - Black
Number - Black
Border - Black
Background - Orange Refl.



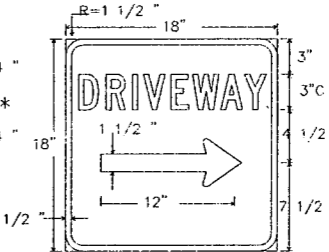
CW22-3
42" X 36"
Letters - Black
Border - Black
Background - Orange Refl.



M4-10L(R)
48" X 18"
Letters - Black
Arrow - Orange Refl.
Background - Black

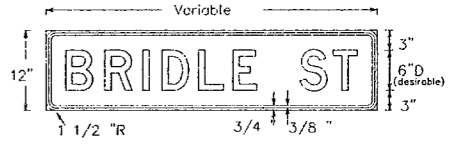


G20-4
36" X 18"
Letters - Black
Border - Black
Background - Orange (Refl. Optional)



D-70a
18" X 18"

Letters - White Refl.
Symbol - White Refl.
Border - White Refl.
Background - Blue Refl.



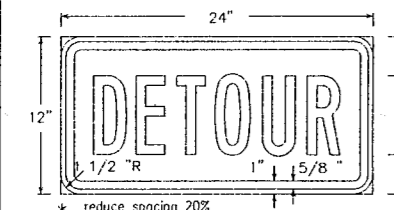
M4-9N
Variable X 12"
Letters - Black
Border - Black
Background - Orange Refl.

The M4-9R,L or S sign is to be used to detour local streets or roads that are not a State or Federal numbered highway; however, it should not be used in lieu of the M4-10 sign at the beginning of the detour.

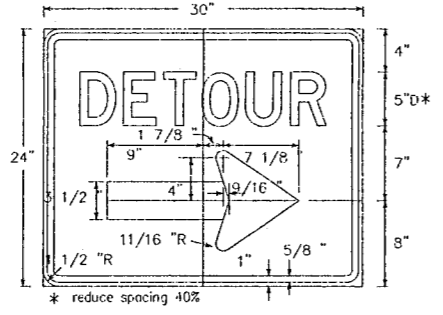
Also, when the M4-9R,L or S sign is used, a sign (M4-9N) with the name of the street being detoured may be mounted above it.

* Alternate first line legend for D-70S

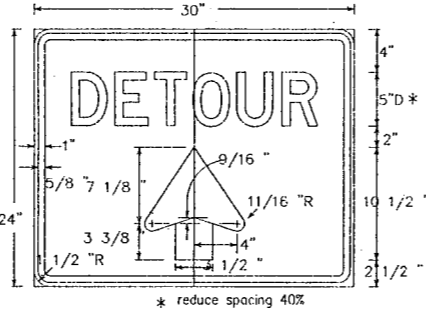
RESTAURANT | D70R
BUSINESS | D70B
MOTEL | D70M
GAS | D70C



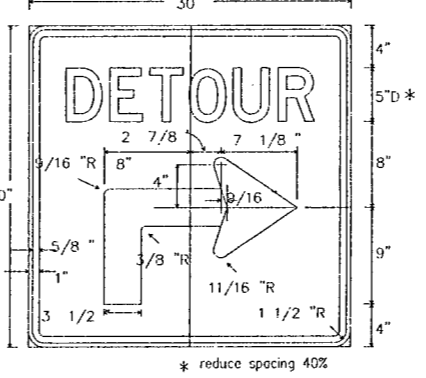
M4-8
24" X 12"
Letters - Black
Border - Black
Background - Orange Refl.



M4-9R(L)
30" X 24"
Letters - Black
Symbol - Black
Border - Black
Background - Orange Refl.



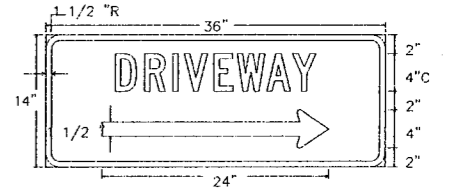
M4-9S
30" X 24"
Letters - Black
Symbol - Black
Border - Black
Background - Orange Refl.



M4-9AR(L)
30" X 30"
Letters - Black
Symbol - Black
Border - Black
Background - Orange Refl.

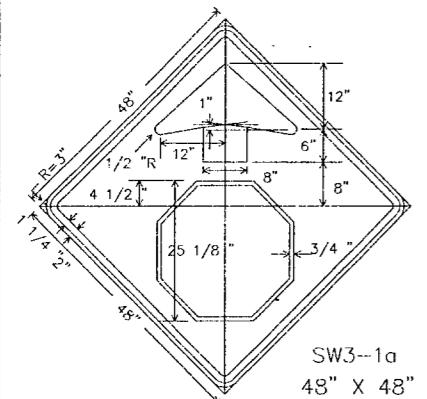


D-70S
42" X 14"
Letters - White Refl.
Symbol - White Refl.
Border - White Refl.
Background - Blue Refl.

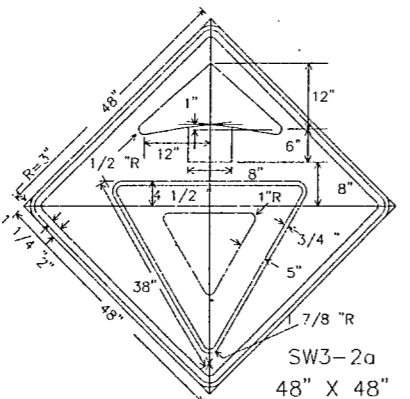


D-70
36" X 14"
Letters - White Refl.
Symbol - White Refl.
Border - White Refl.
Background - Blue Refl.

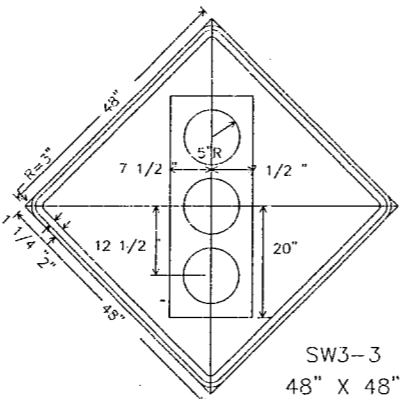
NOTE:
STOP, YIELD, and SIGNAL AHEAD symbol signs should be yellow background.



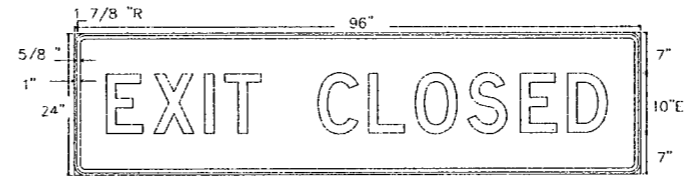
SW3-1a
48" X 48"
Border and Arrow - Black
Symbol - White Border on Red Background (Refl)
Background - Yellow Reflective



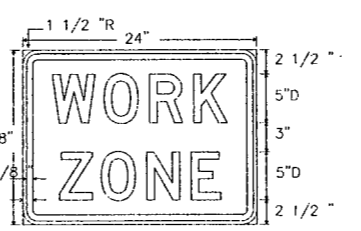
SW3-2a
48" X 48"
Border and Arrow - Black
Symbol - Red Border Band on White Background (Refl)
Background - Yellow Reflective



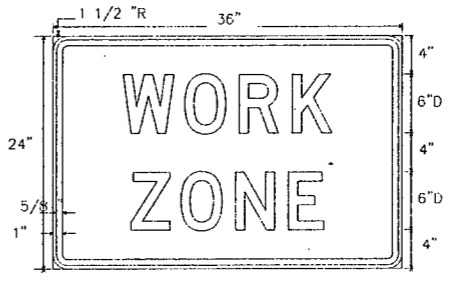
SW3-3
48" X 48"
Symbol and Border - Black
Top Circle - Red Reflective
Bottom Circle - Green Reflective
Background - Yellow Reflective



CW26-1T
96" X 24"
Letters - Black
Border - Black
Background - Orange Refl.



G20-9
24" X 18"
Letters - Black
Border - Black
Background - Orange Refl.



EG20-9
36" X 24"
Letters - Black
Border - Black
Background - Orange Refl.

STANDARD PLANS
TEXAS DEPARTMENT OF TRANSPORTATION
Traffic Operations Division

BARRICADE AND CONSTRUCTION STANDARDS

CONTRACTOR INFORMATION, DETOURS & WARNING SIGNS BC(9A)-98

REVISIONS	DATE	BY	DESCRIPTION	SHEET
				77

STATE	FEDERAL PROJECT	SECTION	JOB	ROUTE
DALLAS	CM 97 (449)	8050	18	034
DALLAS				BELT LINE