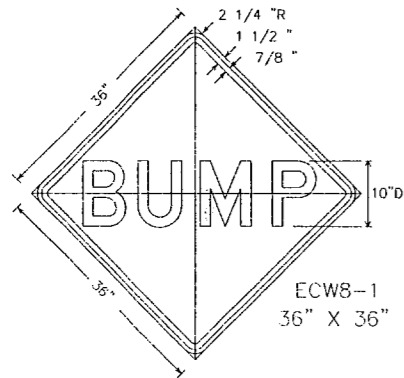
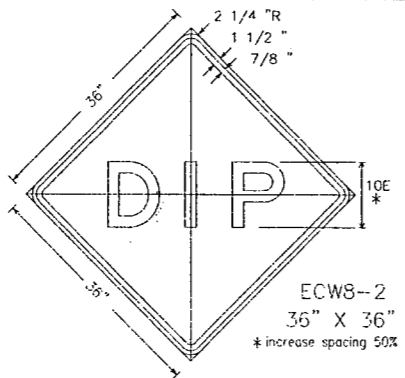


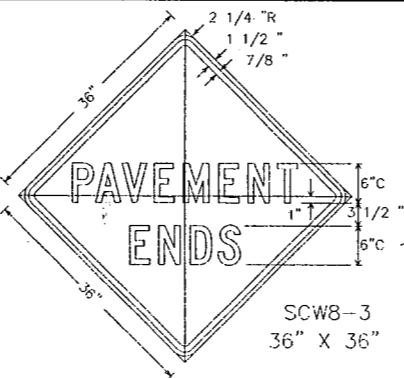
DISCLAIMER  
The use of this standard is governed by the "Texas Engineering Practice Act". No warranty of any kind is made by TxDOT for any purpose whatsoever. TxDOT assumes no responsibility for the conversion of this standard to other formats or for incorrect results or damages resulting from its use.



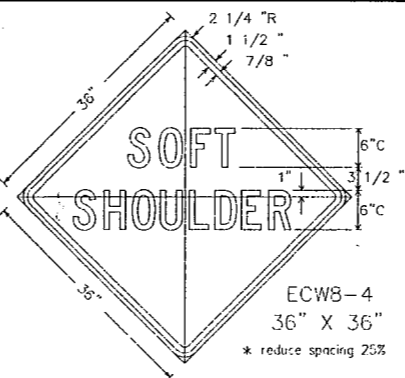
ECW8-1  
36" X 36"



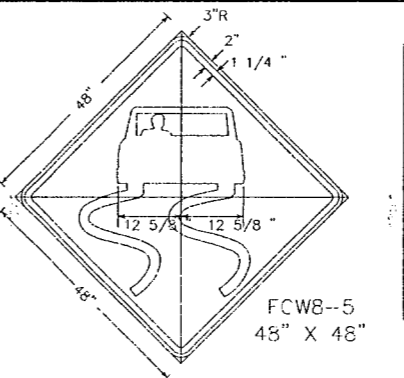
ECW8-2  
36" X 36"  
\* increase spacing 50%



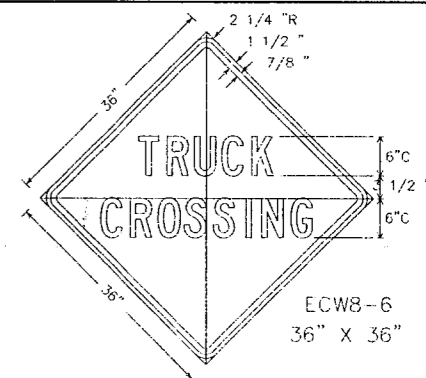
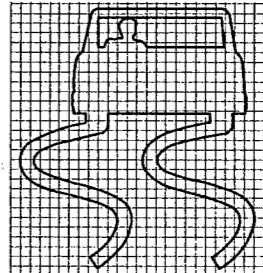
SCW8-3  
36" X 36"



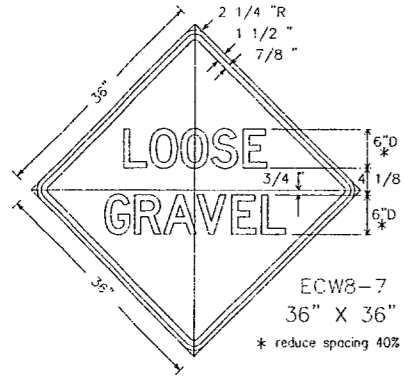
ECW8-4  
36" X 36"  
\* reduce spacing 25%



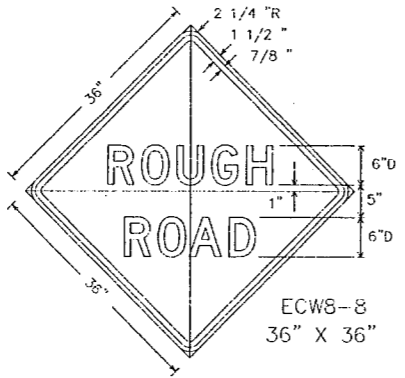
FCW8-5  
48" X 48"



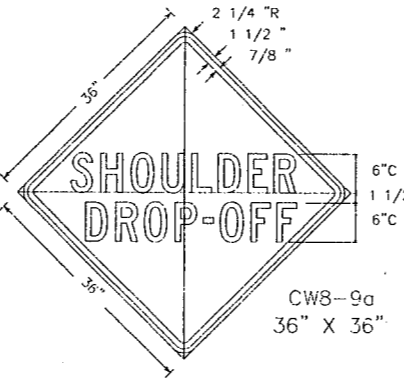
ECW8-6  
36" X 36"



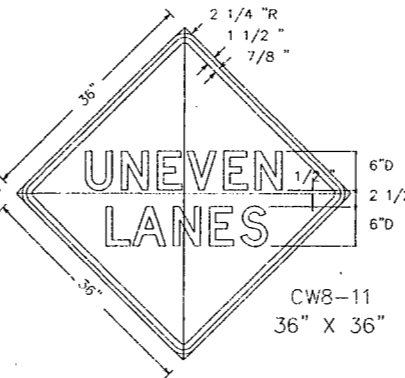
ECW8-7  
36" X 36"  
\* reduce spacing 40%



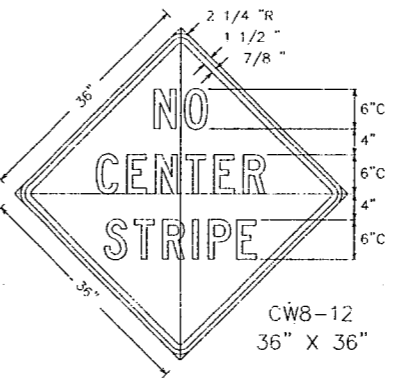
ECW8-8  
36" X 36"



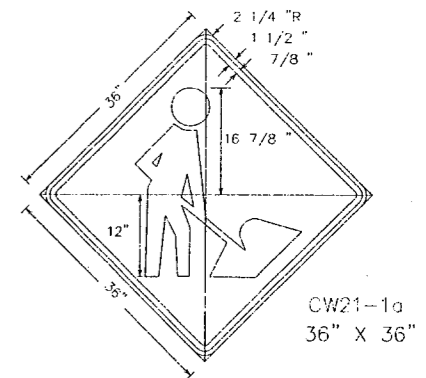
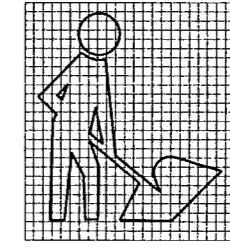
CW8-9a  
36" X 36"



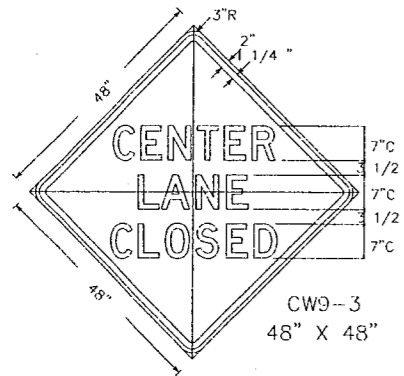
CW8-11  
36" X 36"



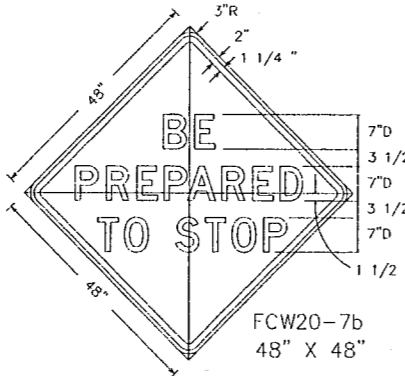
CW8-12  
36" X 36"



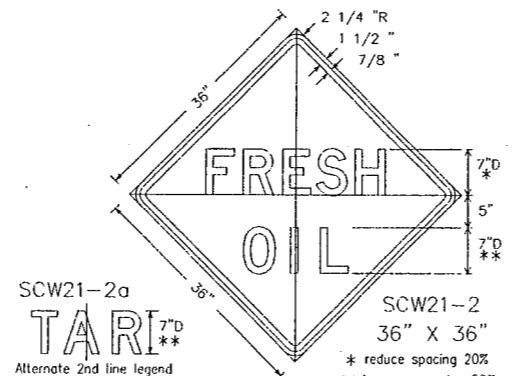
CW21-1a  
36" X 36"



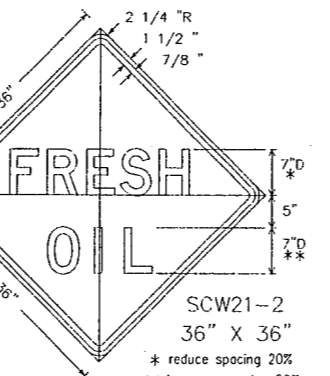
CW9-3  
48" X 48"



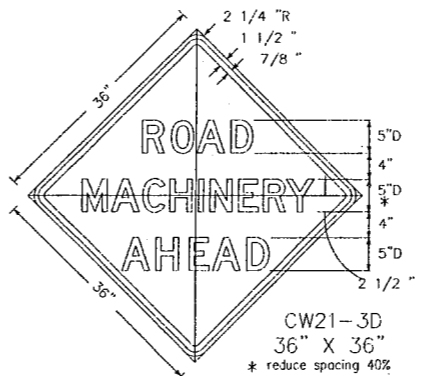
FCW20-7b  
48" X 48"



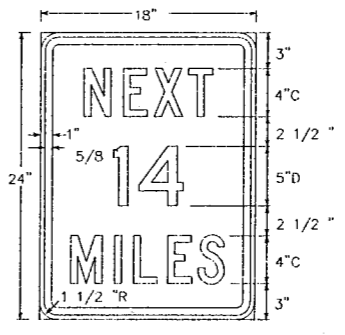
SCW21-2a  
TARI  
Alternate 2nd line legend



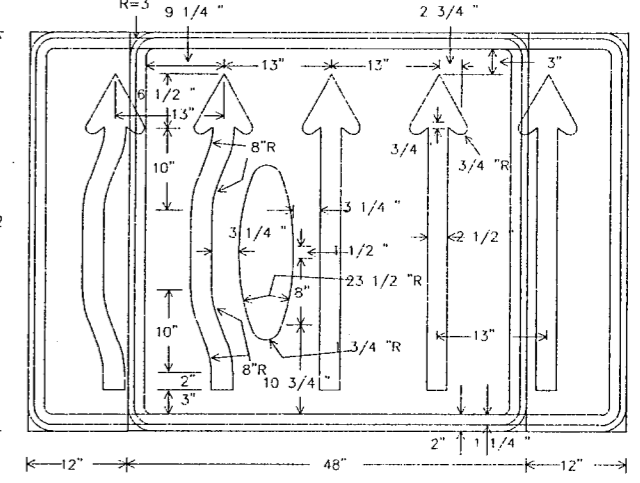
SCW21-2  
36" X 36"  
\* reduce spacing 20%  
\*\* increase spacing 50%



CW21-3D  
36" X 36"  
\* reduce spacing 40%

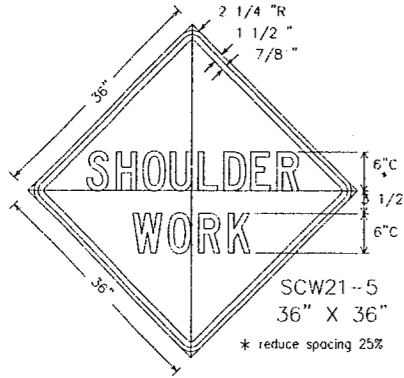


CW21-16  
18" X 24"

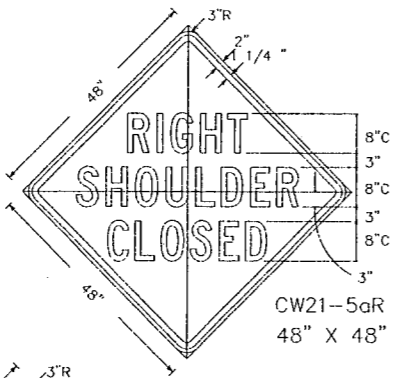


CW24-2  
Var. X 48"

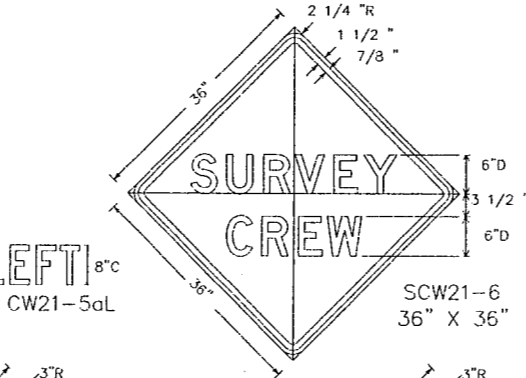
A mirror image may be used to show proper lane alignment.



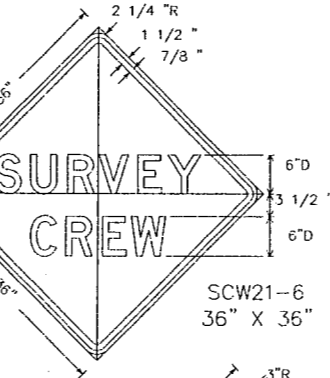
SCW21-5  
36" X 36"  
\* reduce spacing 25%



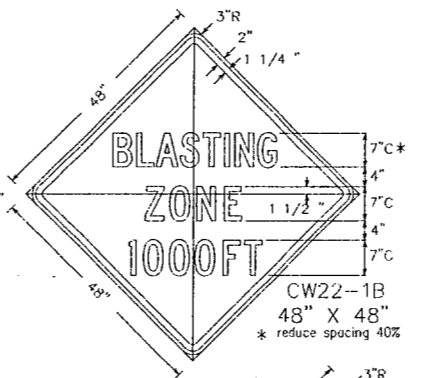
CW21-5aR  
48" X 48"



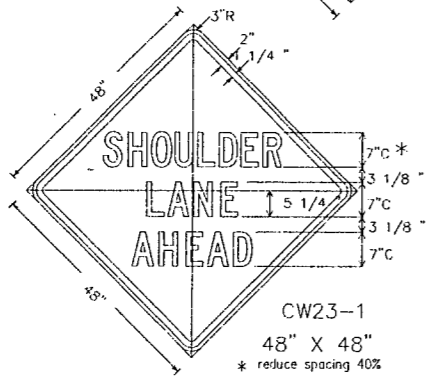
CW21-5aL  
48" X 48"



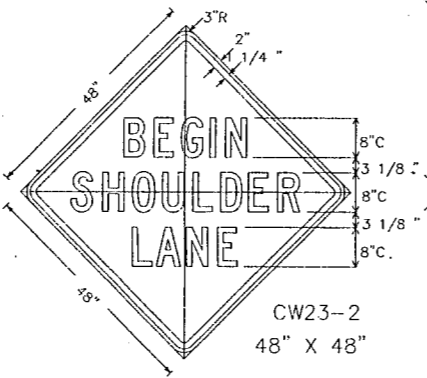
SCW21-6  
36" X 36"



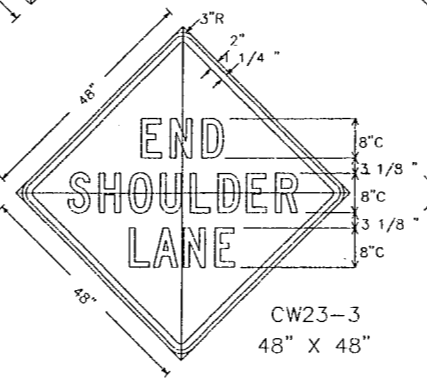
CW22-1B  
48" X 48"  
\* reduce spacing 40%



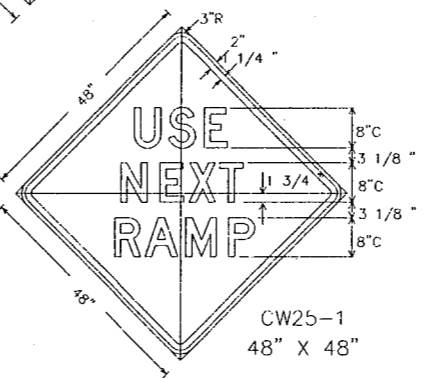
CW23-1  
48" X 48"  
\* reduce spacing 40%



CW23-2  
48" X 48"



CW23-3  
48" X 48"



CW25-1  
48" X 48"

GENERAL NOTES:  
All signs detailed on this sheet shall have black border, legend and/or symbol on an orange Type C reflective background.

LEVELS DISPLAYED	DATE
1 1/2	10/11/12
2 1/2	10/11/12
3 1/2	10/11/12
4 1/2	10/11/12
5 1/2	10/11/12
6 1/2	10/11/12
7 1/2	10/11/12
8 1/2	10/11/12
9 1/2	10/11/12
10 1/2	10/11/12
11 1/2	10/11/12
12 1/2	10/11/12
13 1/2	10/11/12
14 1/2	10/11/12
15 1/2	10/11/12
16 1/2	10/11/12
17 1/2	10/11/12
18 1/2	10/11/12
19 1/2	10/11/12
20 1/2	10/11/12
21 1/2	10/11/12
22 1/2	10/11/12
23 1/2	10/11/12
24 1/2	10/11/12
25 1/2	10/11/12
26 1/2	10/11/12
27 1/2	10/11/12
28 1/2	10/11/12
29 1/2	10/11/12
30 1/2	10/11/12
31 1/2	10/11/12
32 1/2	10/11/12
33 1/2	10/11/12
34 1/2	10/11/12
35 1/2	10/11/12
36 1/2	10/11/12
37 1/2	10/11/12
38 1/2	10/11/12
39 1/2	10/11/12
40 1/2	10/11/12
41 1/2	10/11/12
42 1/2	10/11/12
43 1/2	10/11/12
44 1/2	10/11/12
45 1/2	10/11/12
46 1/2	10/11/12
47 1/2	10/11/12
48 1/2	10/11/12
49 1/2	10/11/12
50 1/2	10/11/12

STANDARD PLANS  
TEXAS DEPARTMENT OF TRANSPORTATION  
Traffic Operations Division

BARRICADE AND CONSTRUCTION STANDARDS

CONSTRUCTION WARNING SIGNS BC(9C)-98

© TxDOT February 1998	ONE-GB	ONE-DTN	ONE-DN	ONE-GB	ONE-NO
STATE REGION	FEDERAL REGION	FEDERAL AID PROJECT	SHEET		
DALLAS	6	CM 97 (449)	7/8		
COUNTY	CONTROL	SECTION	JOB	HIGHWAY	
DALLAS	8050	18	034	BELT LINE	

109C