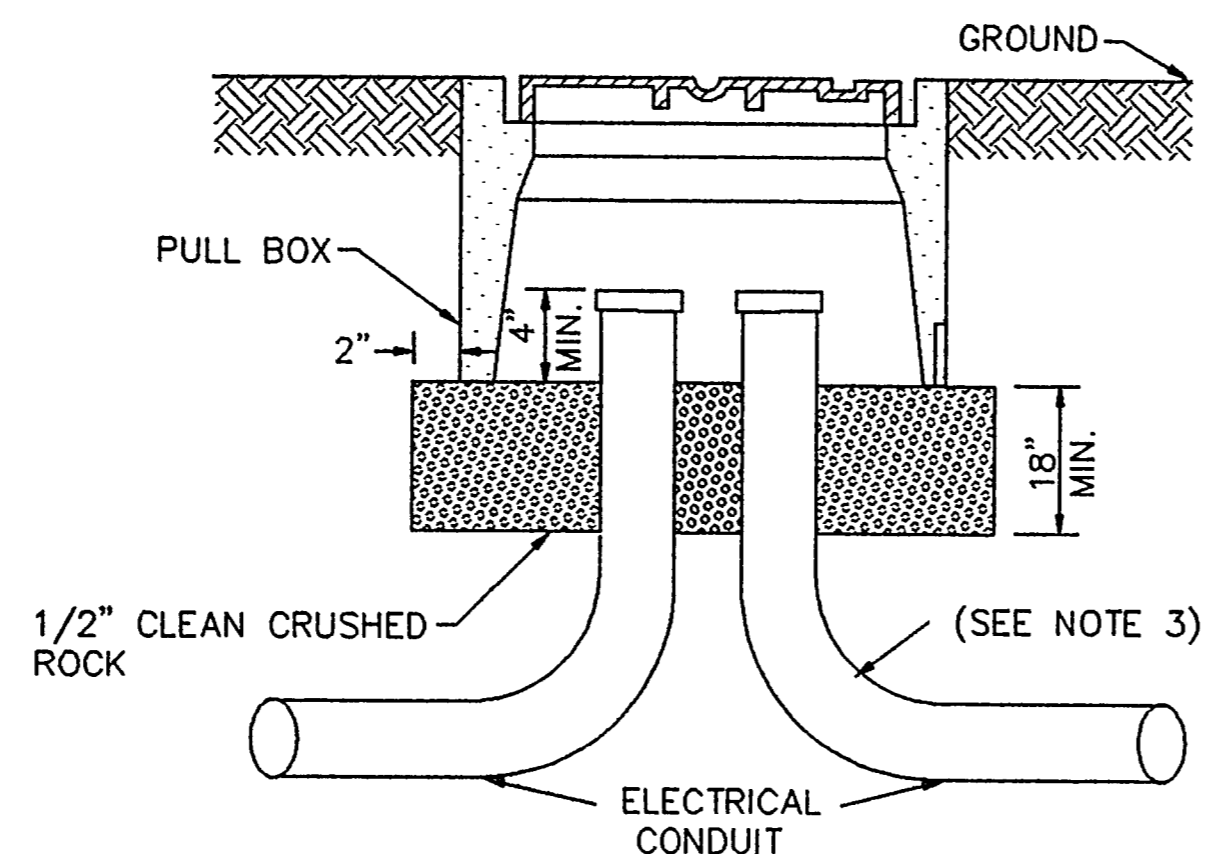
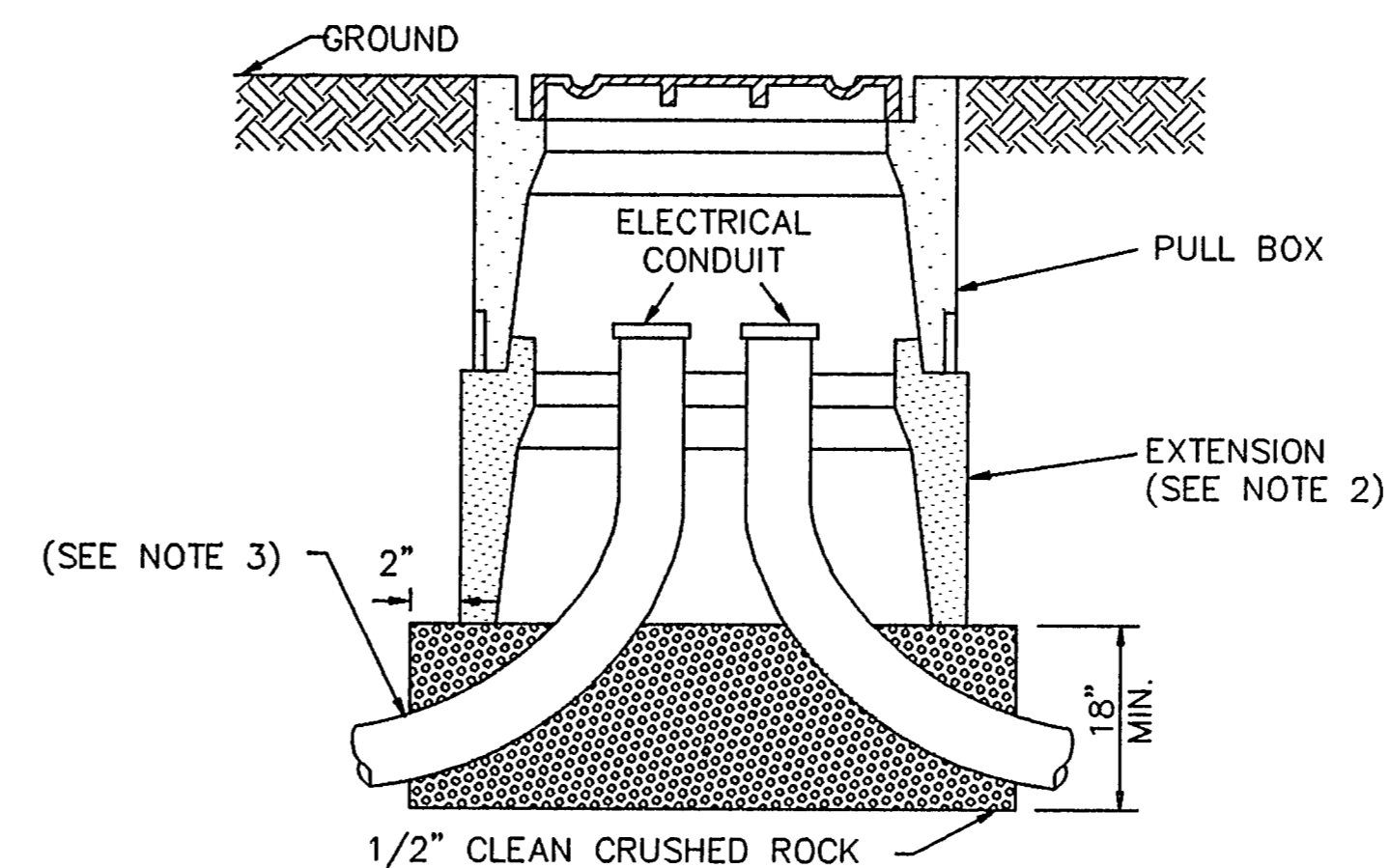


**TYPICAL PULL BOX AND CONDUIT
DETAILS IN EXISTING SIDEWALK**



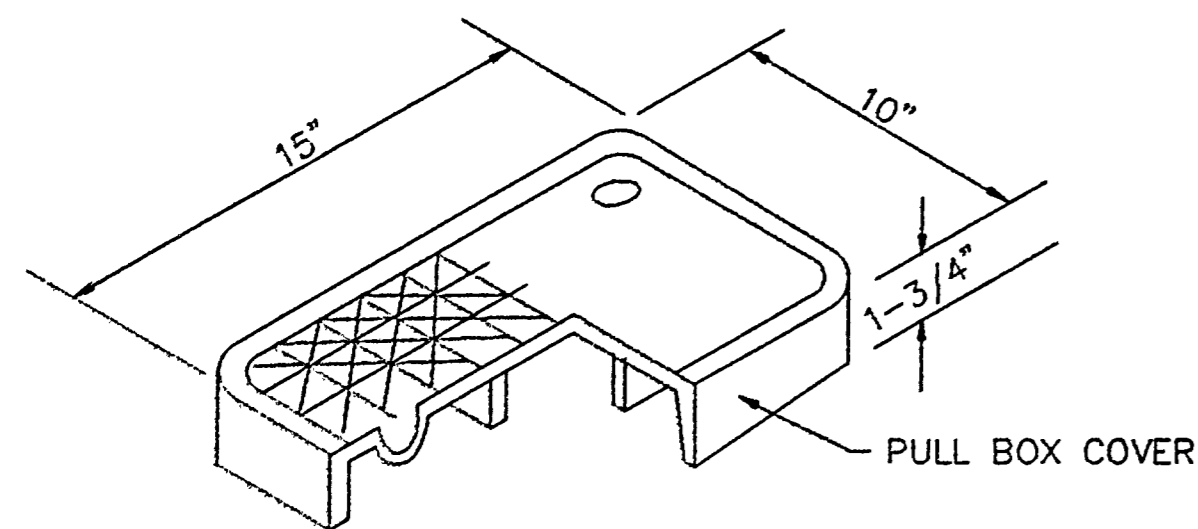
**TYPICAL PULL BOX AND CONDUIT
DETAILS PLACED IN GROUND**



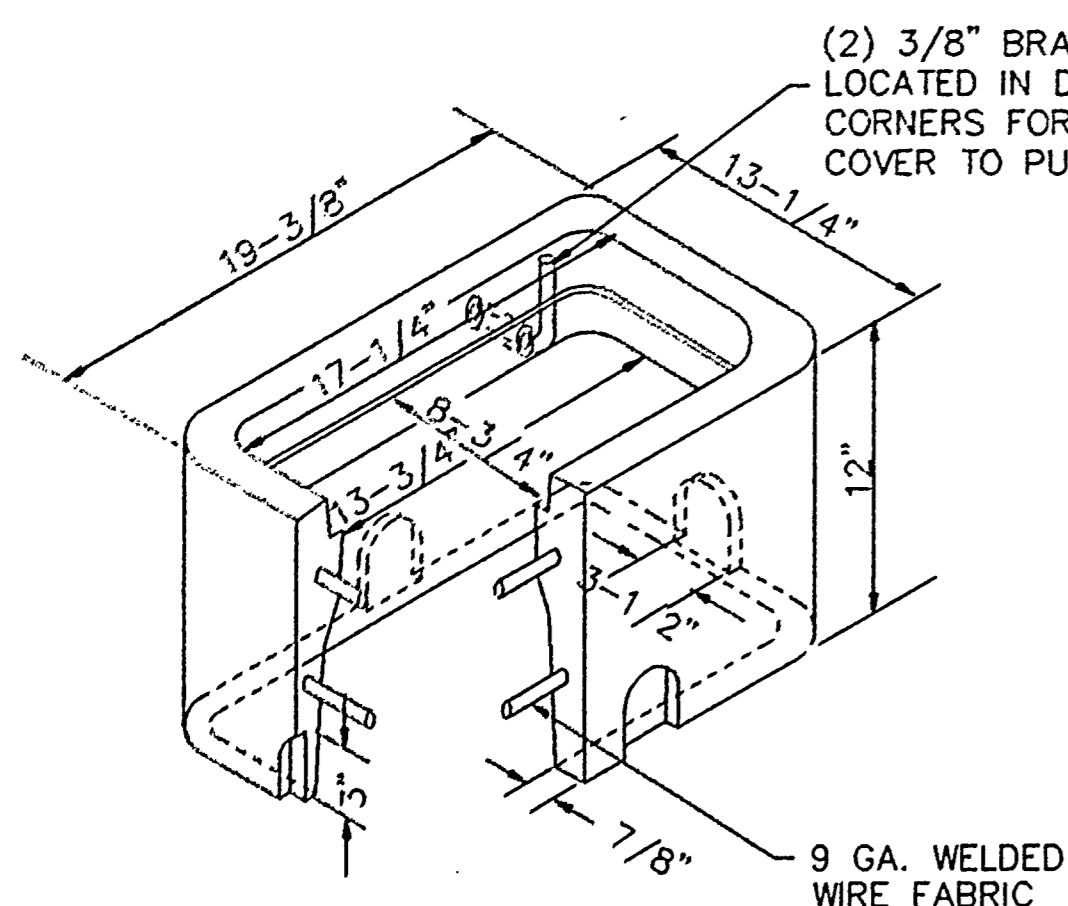
**TYPICAL PULL BOX AND CONDUIT
DETAILS WITH EXTENSION**

NOTES :

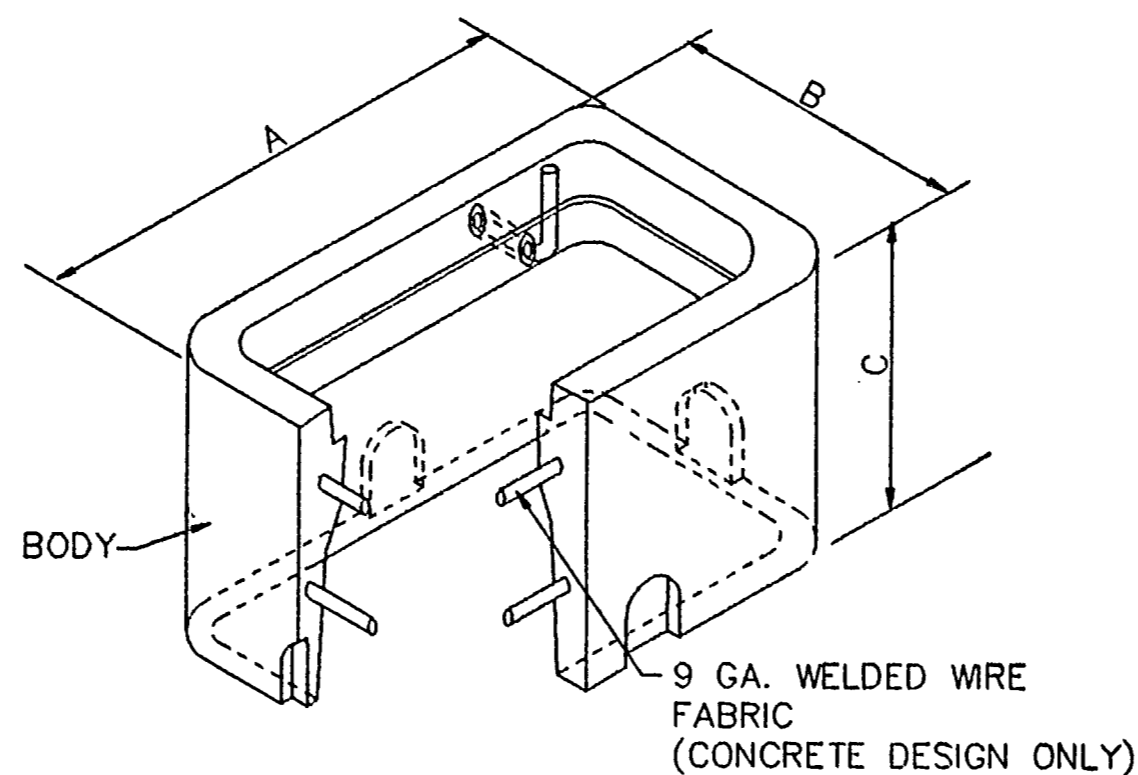
- (1) IF SPECIFIED IN THE PLANS, A 1/2" X 8'-0" GROUND ROD SHALL BE INSTALLED INSIDE THE PULL BOX. THE COST AND INSTALLATION OF THIS ROD SHALL BE INCLUDED IN THE UNIT PRICE BID FOR THE PULL BOX.
- (2) IF SPECIFIED, THE PULL BOX EXTENSION SHALL BE INSTALLED AT THE LOCATIONS SHOWN IN THE PLANS. THE COST AND INSTALLATION OF THE PULL BOX EXTENSION SHALL BE INCLUDED IN THE UNIT PRICE BID FOR THE PULL BOX.
- (3) CONDUIT BENDS AS SHOWN ARE DIAGRAMMATIC AND SHALL CONFORM TO NATIONAL ELECTRICAL CODE.
- (4) SEE NORTH CENTRAL TEXAS STANDARD CONSTRUCTION SPECIFICATIONS FOR ADDITIONAL INFORMATION CONCERNING THE MATERIALS AND INSTALLATION OF THE PULL BOX, EXTENSIONS AND CONDUITS.
- (5) WHEN A PULL BOX IS INSTALLED BY THE GRADING OR SURFACING CONTRACTOR, THE PULL BOX COVER LEGEND SHALL BE "TRAFFIC SIGNALS", UNLESS OTHERWISE SPECIFIED IN THE PLANS.
- (6) THE COMPLETE PULL BOX INSTALLATION SHOULD BE BUILT TO FIT EXISTING FIELD CONDITIONS. THE PULL BOX SHOULD BE PLACED A MIN. OF 2'-0" BEHIND CURB AND SHALL PRESENT A NEAT, WORKMAN LIKE APPEARANCE. THE COST FOR THE REPLACEMENT OF EXISTING SIDEWALK MATERIAL SHALL BE INCLUDED IN THE UNIT PRICE BID FOR STRUCTURAL CONCRETE.
- (7) COVERS FOR PULL BOX SHALL BE CAST IRON WITH TEXT.
- (8) ALL PULL BOXES SHALL BE CONSTRUCTED OF CAST IRON MATERIALS.



(2) 3/8" BRASS BOLTS LOCATED IN DIAGONAL CORNERS FOR SECURING COVER TO PULL BOX



**TYPICAL
PULL BOX SIZE I
CONCRETE DESIGN**
(DIMENSIONS ARE NOMINAL)

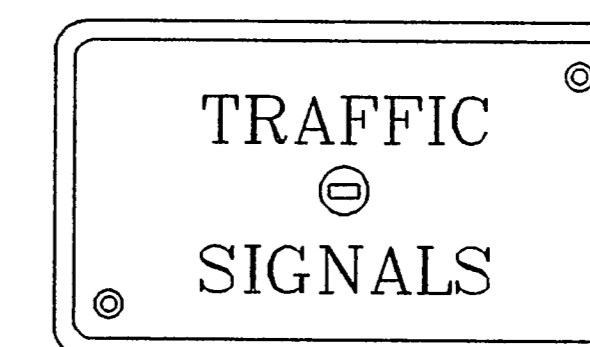
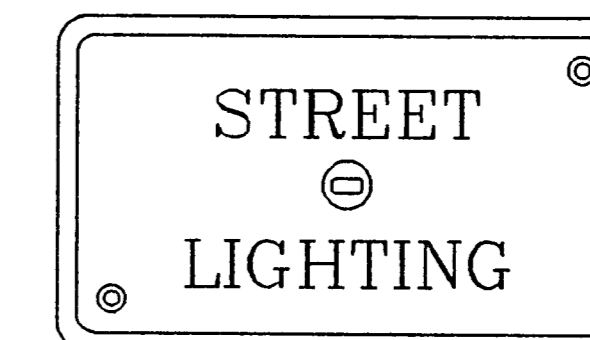
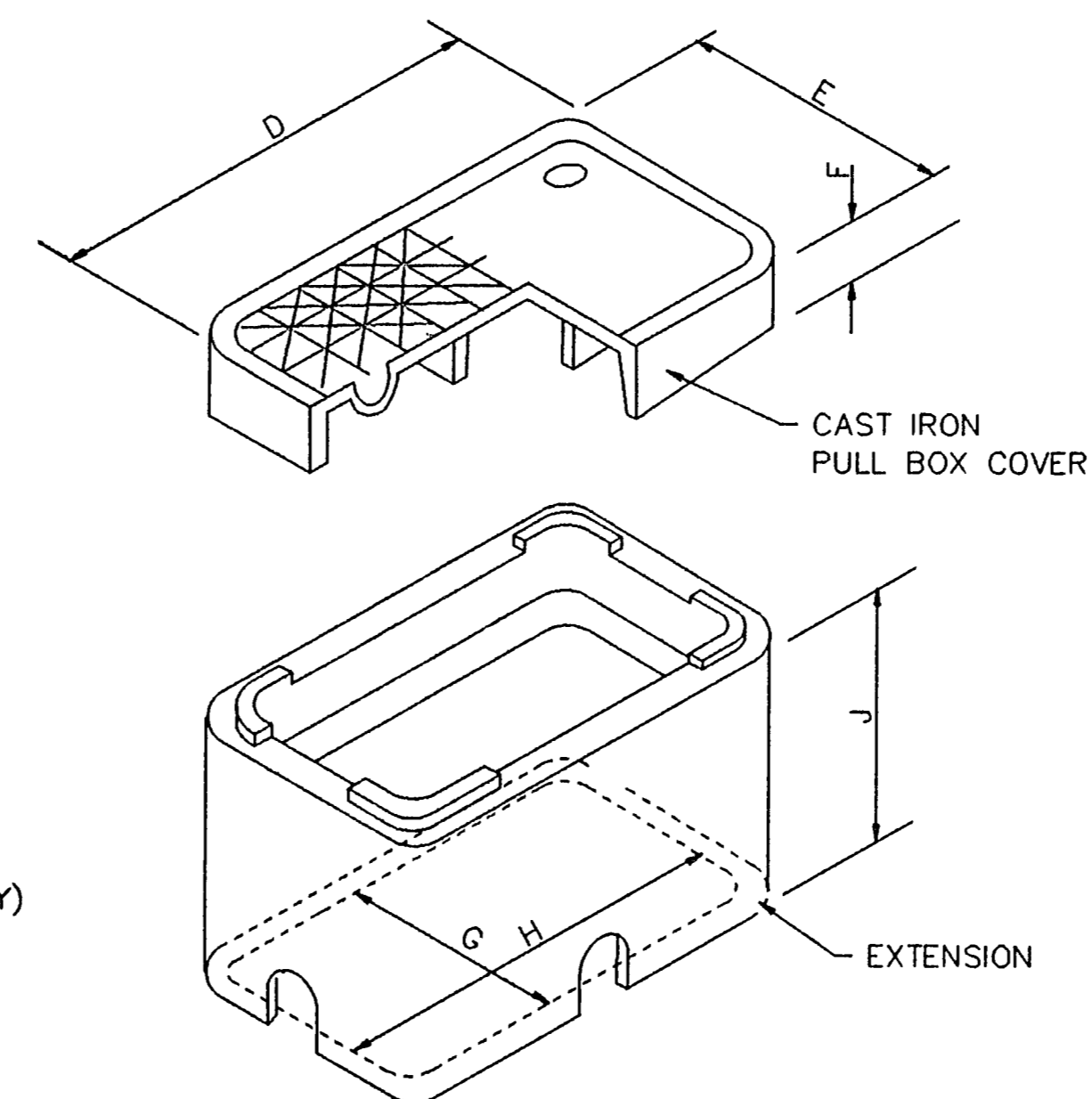


**TYPICAL
PULL BOX SIZE II**

NOMINAL PULL BOX SIZE II DIMENSIONS

PULL BOX CONSTRUCTION MATERIAL	PULL BOX DIMENSIONS			CAST IRON PULL BOX LID DIMENSIONS			PULL BOX EXTENSION DIMENSIONS		
	A	B	C	D	E	F	G	H	J
CONCRETE	25"	15"	12"	21 3/4"	11 3/4"	2"	12 1/4"	22 1/4"	10 1/4"

THE DIMENSIONS SHOWN IN THE SCHEDULE ABOVE MAY VARY SLIGHTLY BY MANUFACTURER'S DESIGNS



**TYPICAL
PULL BOX COVERS**

THESE PLANS HAVE BEEN REVISIONED TO CONFORM WITH CONSTRUCTION RECORD
 SIGNATURE: *Tom Simey*
 DATE: 10-28-92

REVISIONS			
NO.	DESCRIPTION	DATE	BY

**DUNAWAY ASSOCIATES,
INC.**

DeShazo, Starek, & Tang, Inc.
 ENGINEERS • PLANNERS
 330 Union Station
 Dallas, Texas 75202-4802
 (214) 748-6740
 Fax: (214) 748-7037

DESIGN BY: BDJ DATE: 2-14-92
 DRAWN BY: SAM DATE: 2-14-92
 CHECKED BY: BDJ DATE: 2-14-92
 APPROVED BY: _____ DATE: _____



PULL BOX DETAILS
 Scale: NONE

SHEET
 18
 OF
 19
 91268-18