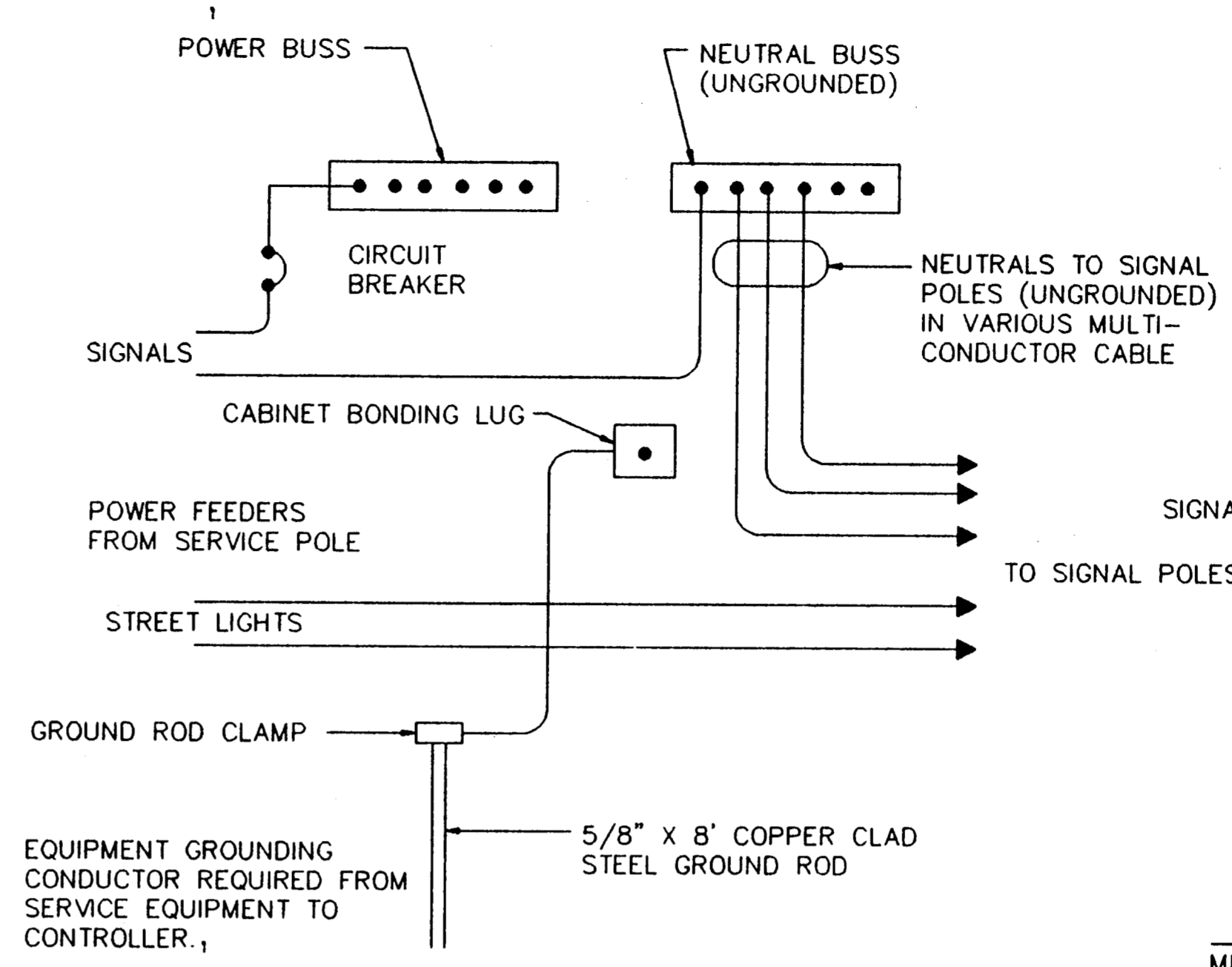
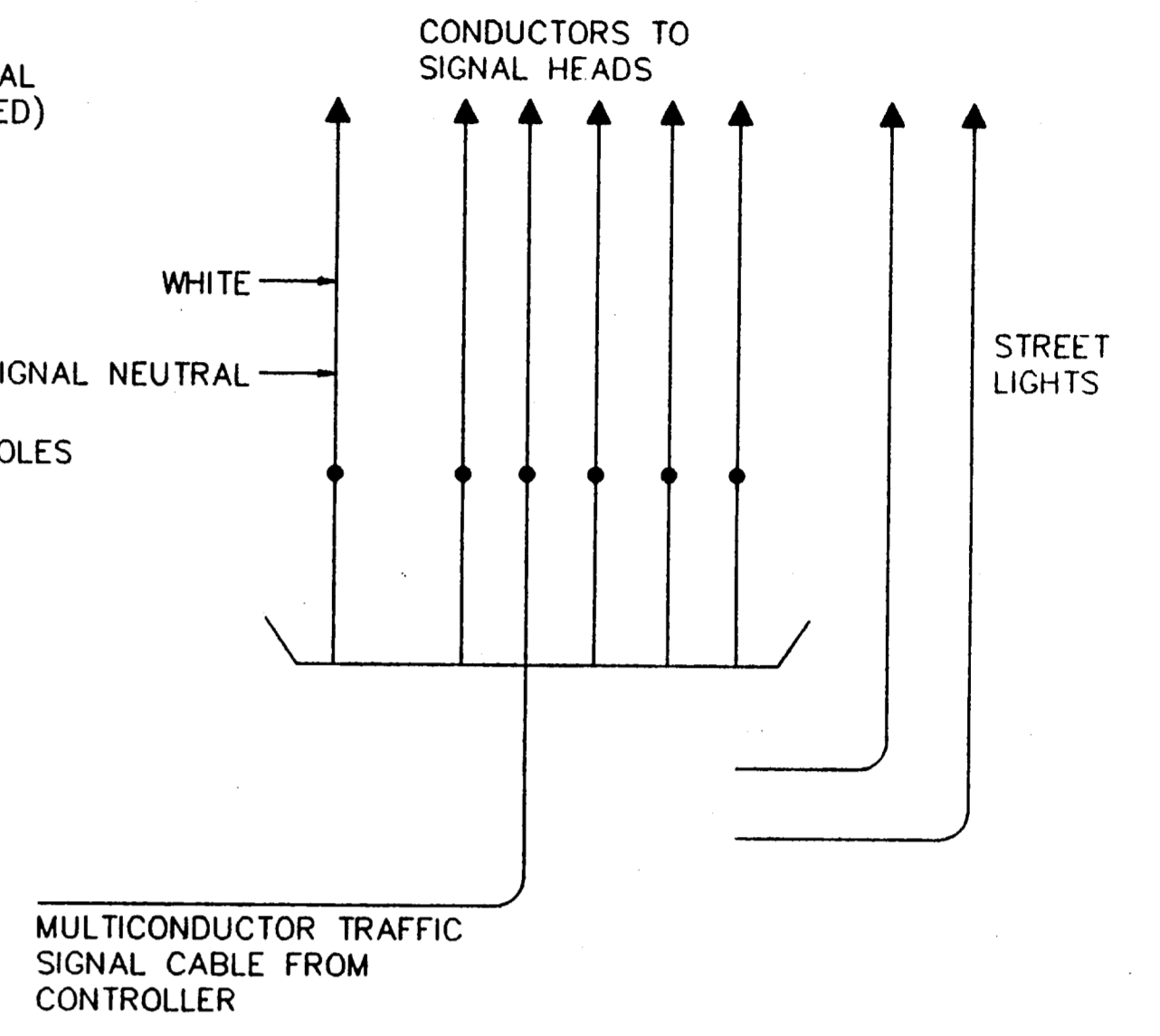


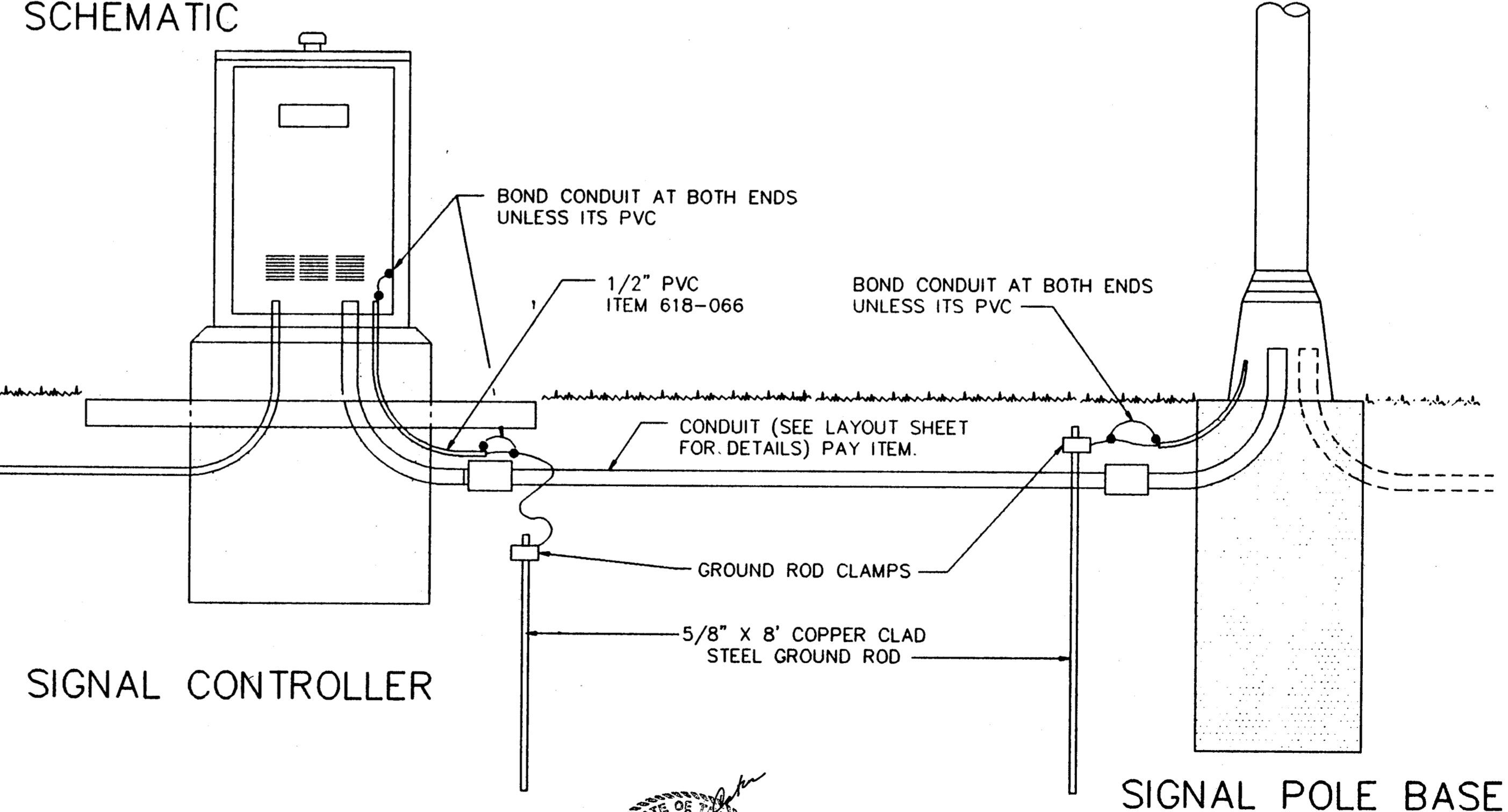
SERVICE ASSEMBLY SCHEMATIC



CONNECTIONS AT SIGNAL CONTROLLERS



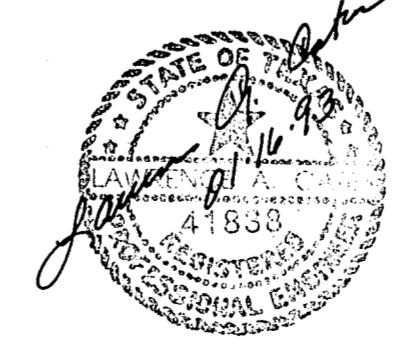
CONNECTIONS AT POLE BASE



SIGNAL CONTROLLER

SIGNAL POLE BASE

NOTE: POWER SOURCE, SERVICE ASSEMBLY & CONTROLLER ARE EXISTING AT THIS PROJECT.



AS BUILTS
I CERTIFY THIS PROJECT WAS CONSTRUCTED IN GENERAL CONFORMANCE WITH THESE CONSTRUCTION PLANS AND WILL FUNCTION AS DESIGNED.

Lawrence A. Cates
8-12-92

CONDUIT & WIRING DETAIL						
BELTLINE RD. EAST OF MARSH LN.						
TOWN OF ADDISON, TEXAS						
LAWRENCE A. CATES & ASSOC. CONSULTING ENGINEERS DALLAS, TEXAS						
DESIGN	DRAWN	DATE	SCALE	NOTES	FILE	NO.
LAC	LAC	8/24/92	NTS		92023	T 10