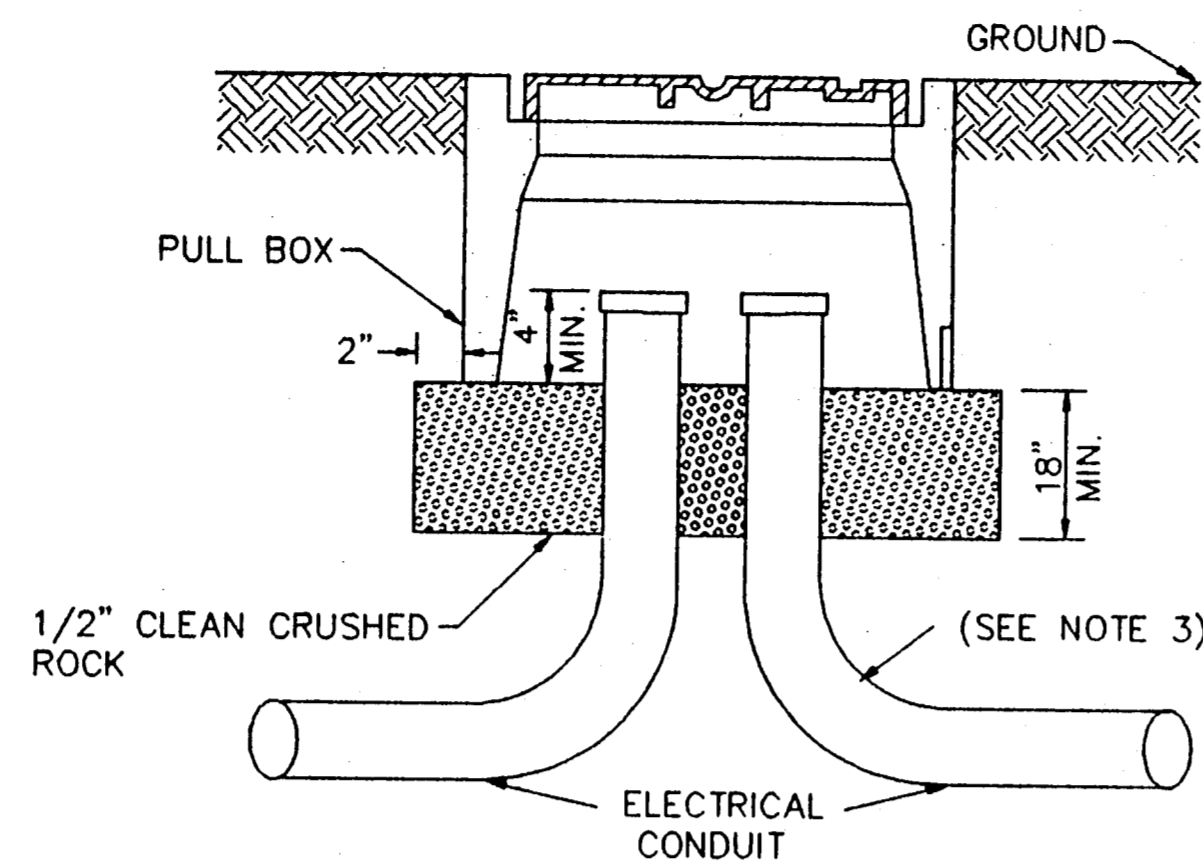
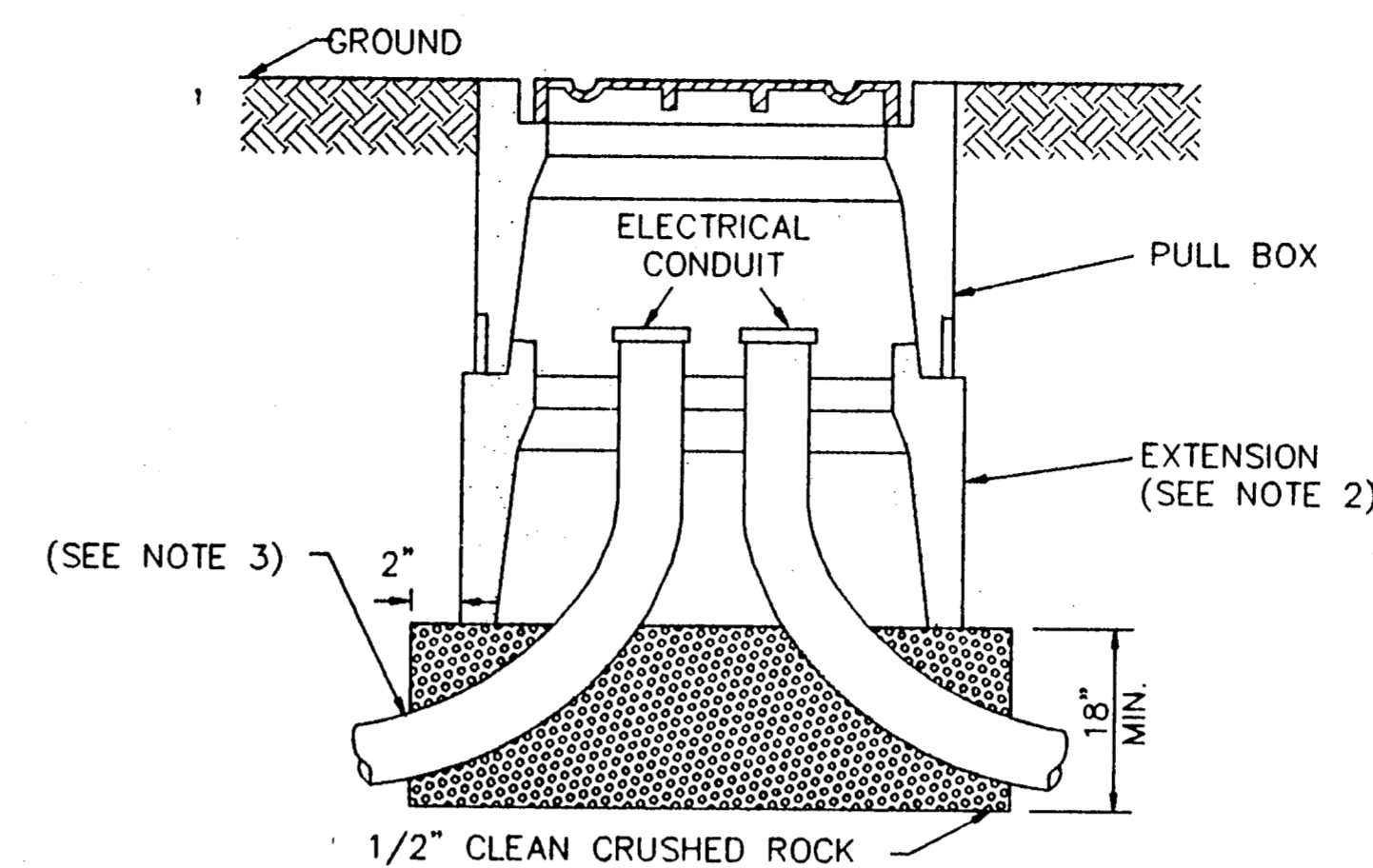


**TYPICAL PULL BOX AND CONDUIT  
DETAILS IN EXISTING SIDEWALK**



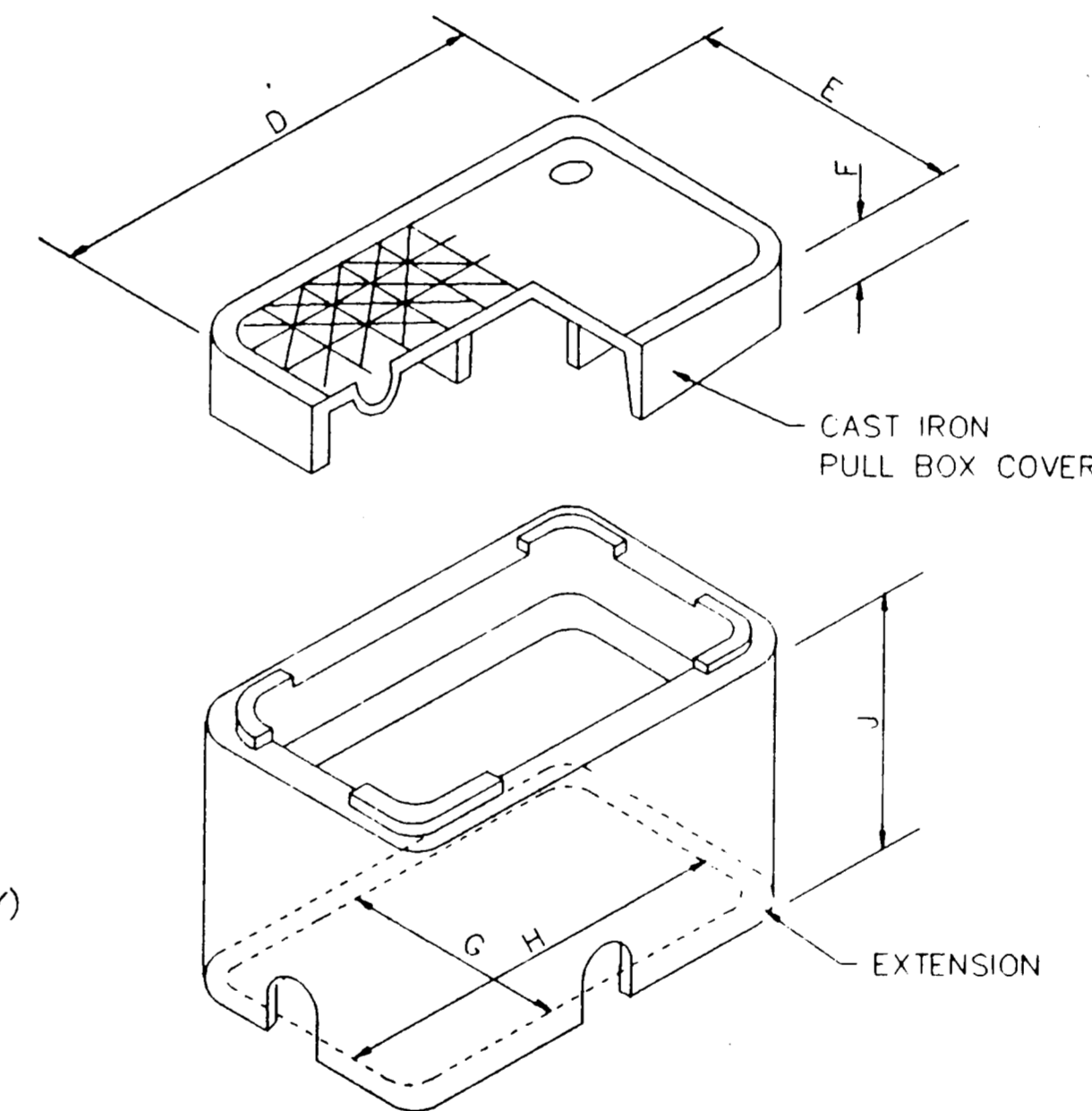
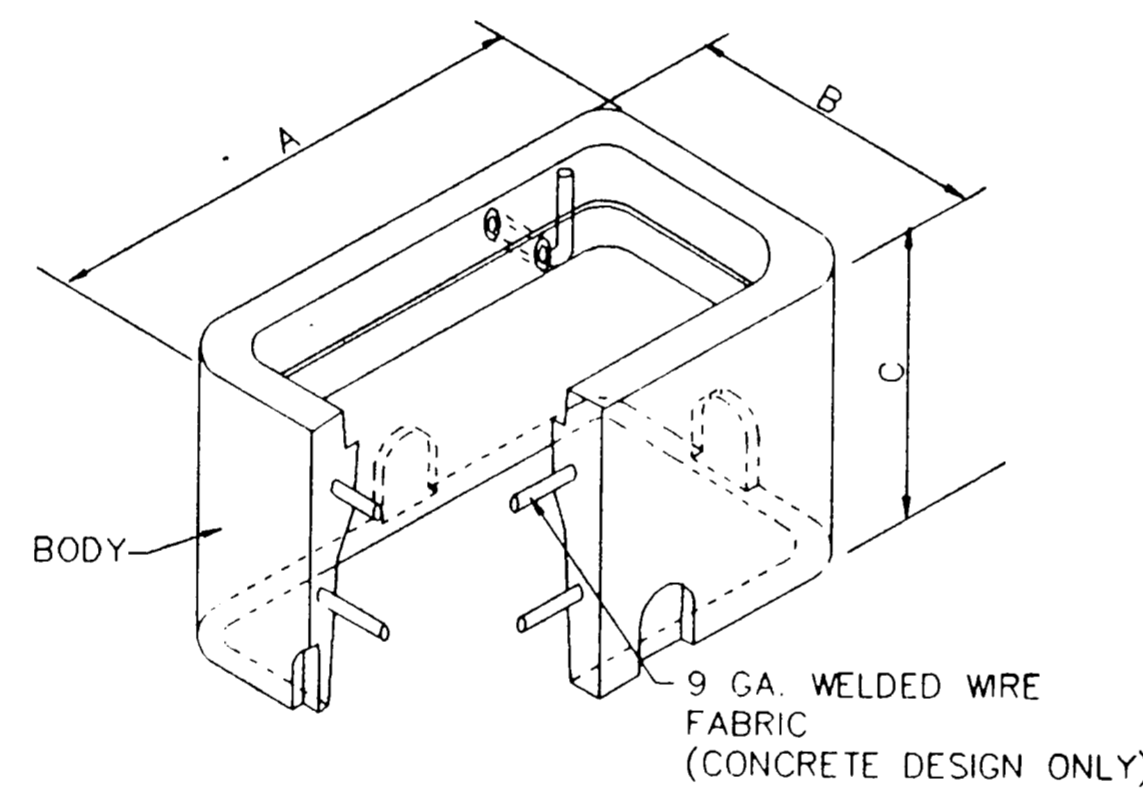
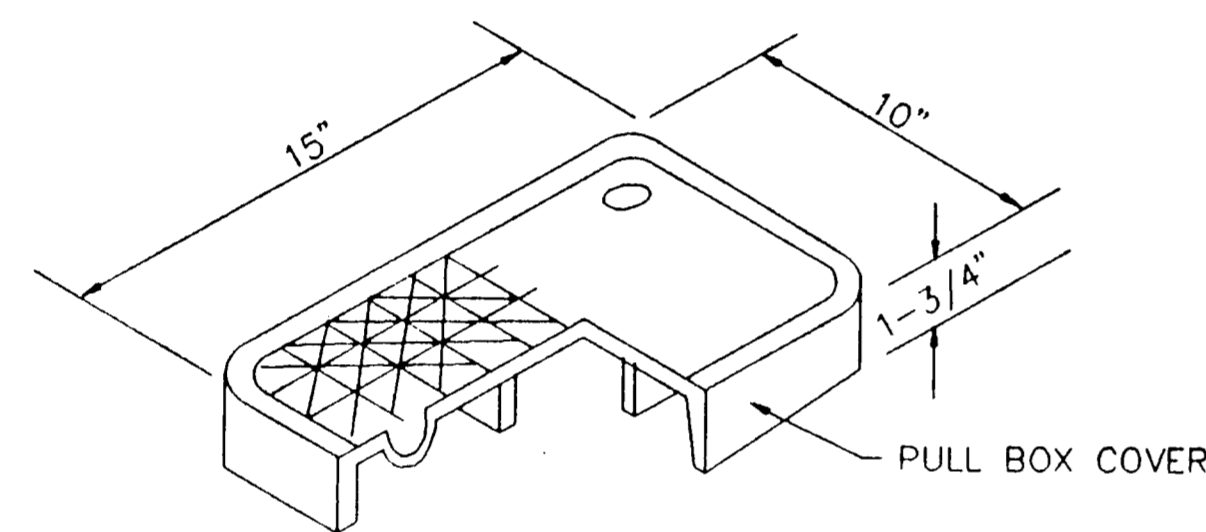
**TYPICAL PULL BOX AND CONDUIT  
DETAILS PLACED IN GROUND**



**TYPICAL PULL BOX AND CONDUIT  
DETAILS WITH EXTENSION**

**NOTES :**

- (1) IF SPECIFIED IN THE PLANS, A 1/2" X 8'-0" GROUND ROD SHALL BE INSTALLED INSIDE THE PULL BOX. THE COST AND INSTALLATION OF THIS ROD SHALL BE INCLUDED IN THE UNIT PRICE BID FOR THE PULL BOX.
- (2) IF SPECIFIED, THE PULL BOX EXTENSION SHALL BE INSTALLED AT THE LOCATIONS SHOWN IN THE PLANS. THE COST AND INSTALLATION OF THE PULL BOX EXTENSION SHALL BE INCLUDED IN THE UNIT PRICE BID FOR THE PULL BOX.
- (3) CONDUIT BENDS AS SHOWN ARE DIAGRAMMATIC AND SHALL CONFORM TO NATIONAL ELECTRICAL CODE.
- (4) SEE NORTH CENTRAL TEXAS STANDARD CONSTRUCTION SPECIFICATIONS FOR ADDITIONAL INFORMATION CONCERNING THE MATERIALS AND INSTALLATION OF THE PULL BOX, EXTENSIONS AND CONDUITS.
- (5) WHEN A PULL BOX IS INSTALLED BY THE GRADING OR SURFACING CONTRACTOR, THE PULL BOX COVER LEGEND SHALL BE "TRAFFIC SIGNALS", UNLESS OTHERWISE SPECIFIED IN THE PLANS.
- (6) THE COMPLETE PULL BOX INSTALLATION SHOULD BE BUILT TO FIT EXISTING FIELD CONDITIONS. THE PULL BOX SHOULD BE PLACED A MIN. OF 2'-0" BEHIND CURB AND SHALL PRESENT A NEAT, WORKMAN LIKE APPEARANCE. THE COST FOR THE REPLACEMENT OF EXISTING SIDEWALK MATERIAL SHALL BE INCLUDED IN THE UNIT PRICE BID FOR STRUCTURAL CONCRETE.
- (7) COVERS FOR PULL BOX SHALL BE CAST IRON WITH TEXT.
- (8) ALL PULL BOXES SHALL BE CONSTRUCTED OF CONCRETE MATERIALS.

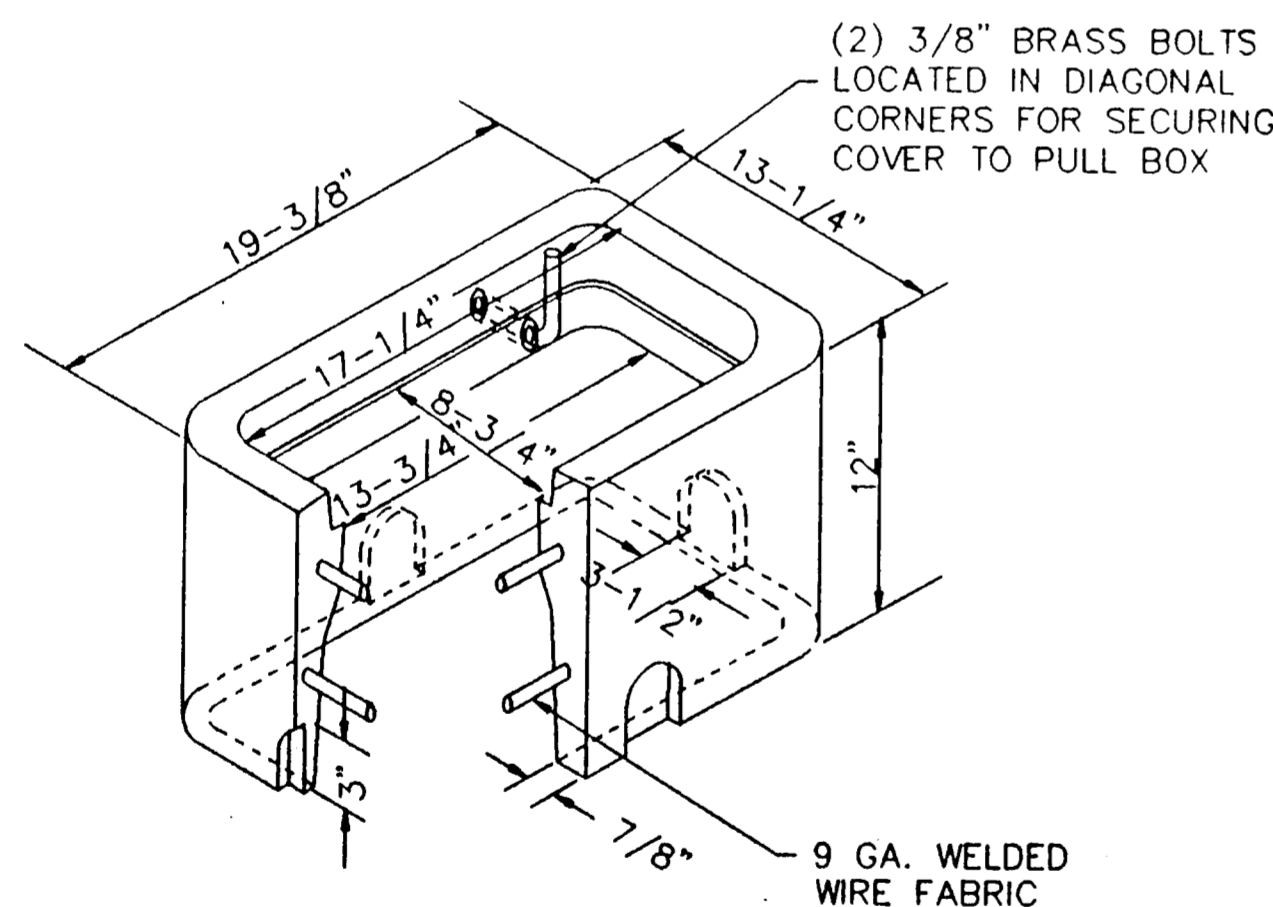


**TYPICAL  
PULL BOX SIZE II**

NOMINAL PULL BOX SIZE II DIMENSIONS

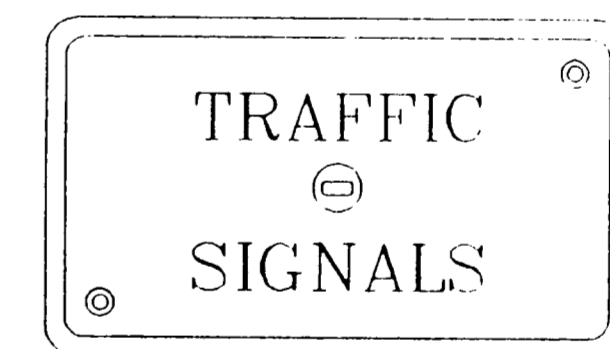
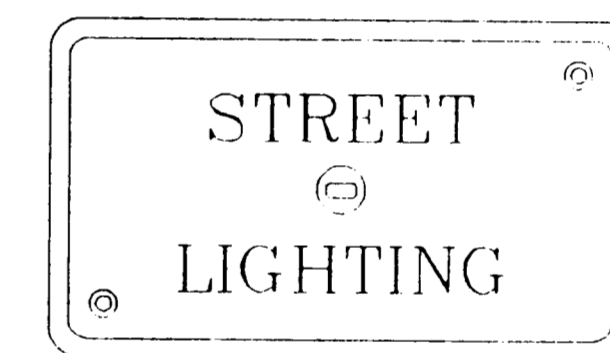
PULL BOX CONSTRUCTION MATERIAL	PULL BOX DIMENSIONS			CAST IRON PULL BOX LID DIMENSIONS			PULL BOX EXTENSION DIMENSIONS		
	A	B	C	D	E	F	G	H	J
CONCRETE	25"	15"	12"	21 3/4"	11 3/4"	2"	12 1/4"	22 1/4"	10 1/4"

THE DIMENSIONS SHOWN IN THE SCHEDULE ABOVE  
MAY VARY SLIGHTLY BY MANUFACTURER'S DESIGNS



**TYPICAL  
PULL BOX SIZE I  
CONCRETE DESIGN**

(DIMENSIONS ARE NOMINAL)



**TYPICAL  
PULL BOX COVERS**

*Lawrence A. Cates*  
01-16-93

AS BUILTS

I CERTIFY THIS PROJECT WAS CONSTRUCTED IN GENERAL  
CONFORMANCE WITH THESE CONSTRUCTION PLANS AND WILL  
FUNCTION AS DESIGNED.

*Lawrence A. Cates*  
9-12-92

PULL BOX DETAILS						
BELTLINE RD. EAST OF MARSH LN.						
TOWN OF ADDISON, TEXAS						
LAWRENCE A. CATES & ASSOC.						CONSULTING ENGINEERS DALLAS, TEXAS
DESIGN	DRAWN	DATE	SCALE	NOTES	FILE	NO.
LAC	LAC	8/24/92	NTS		92023	T9