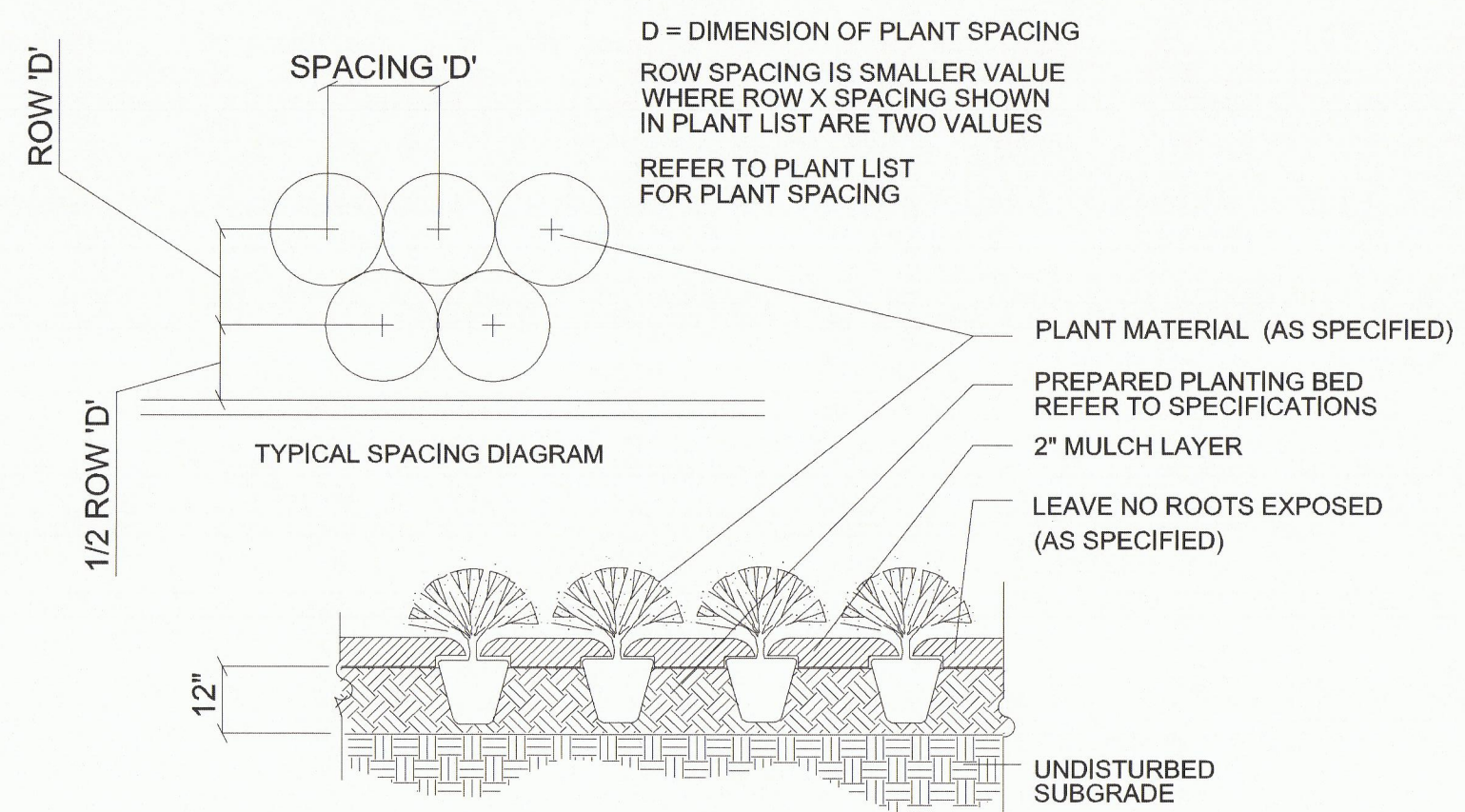
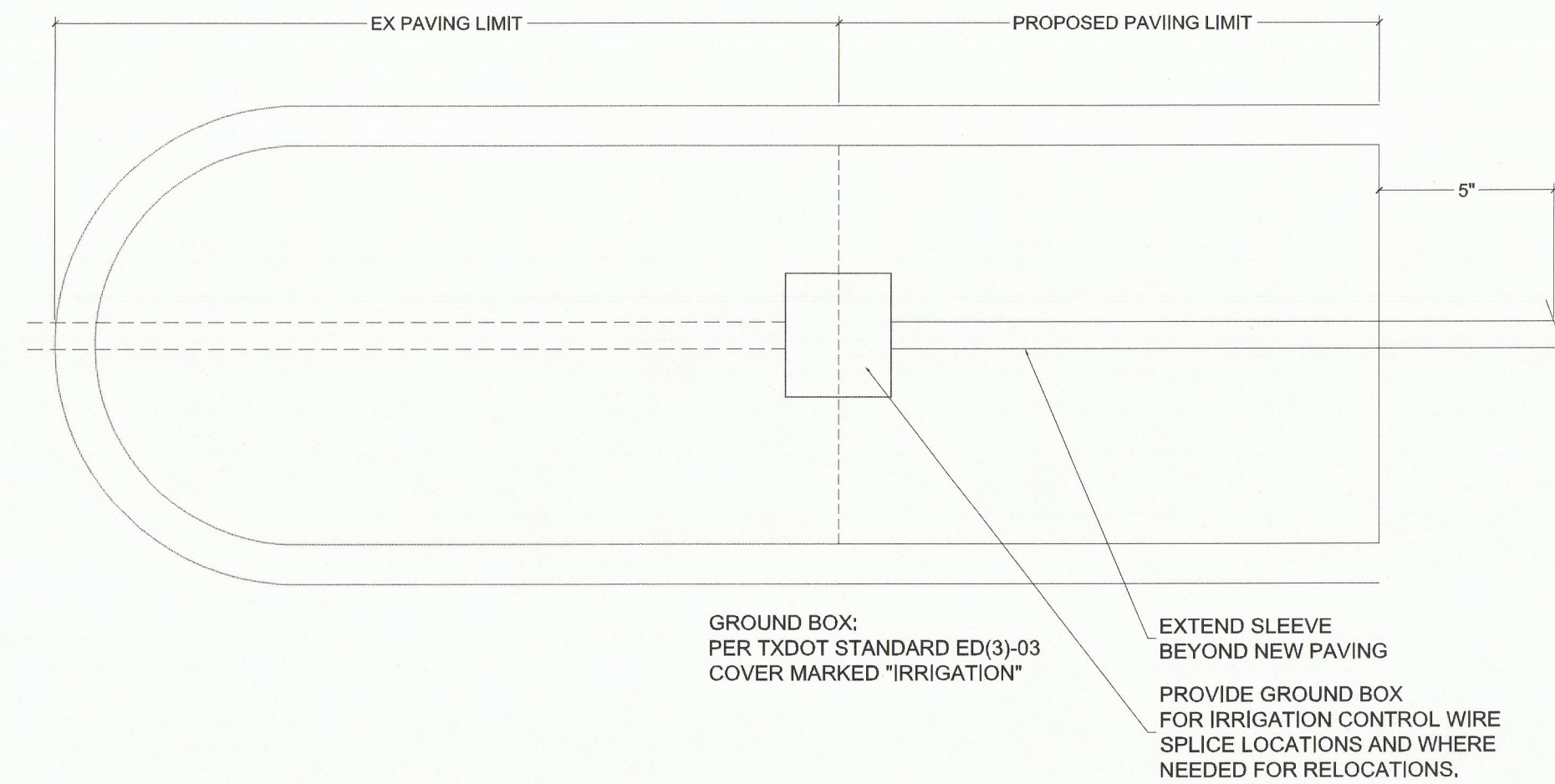


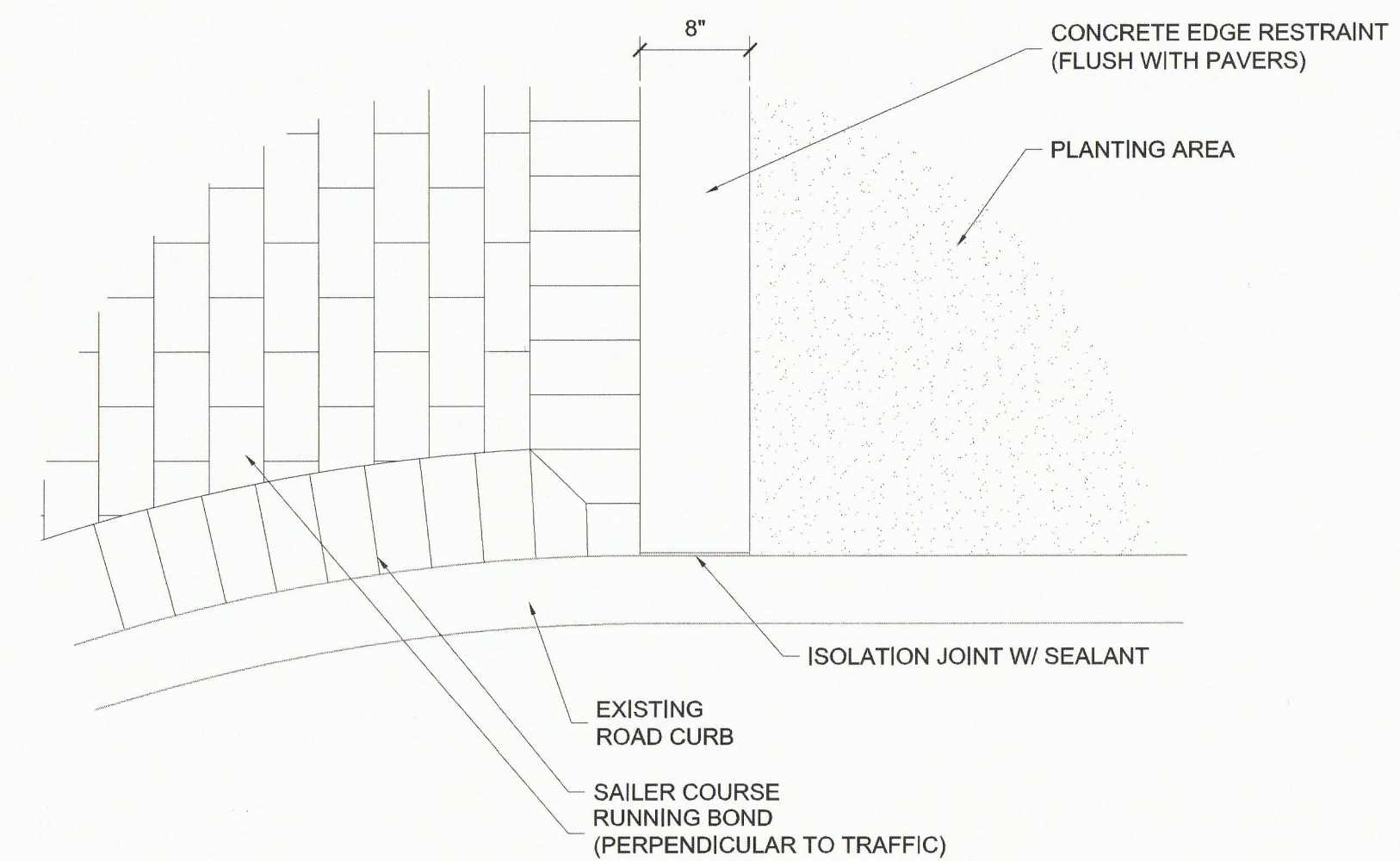
1 TREE PLANTING AND STAKING - SINGLE TRUNK TREE
NTS



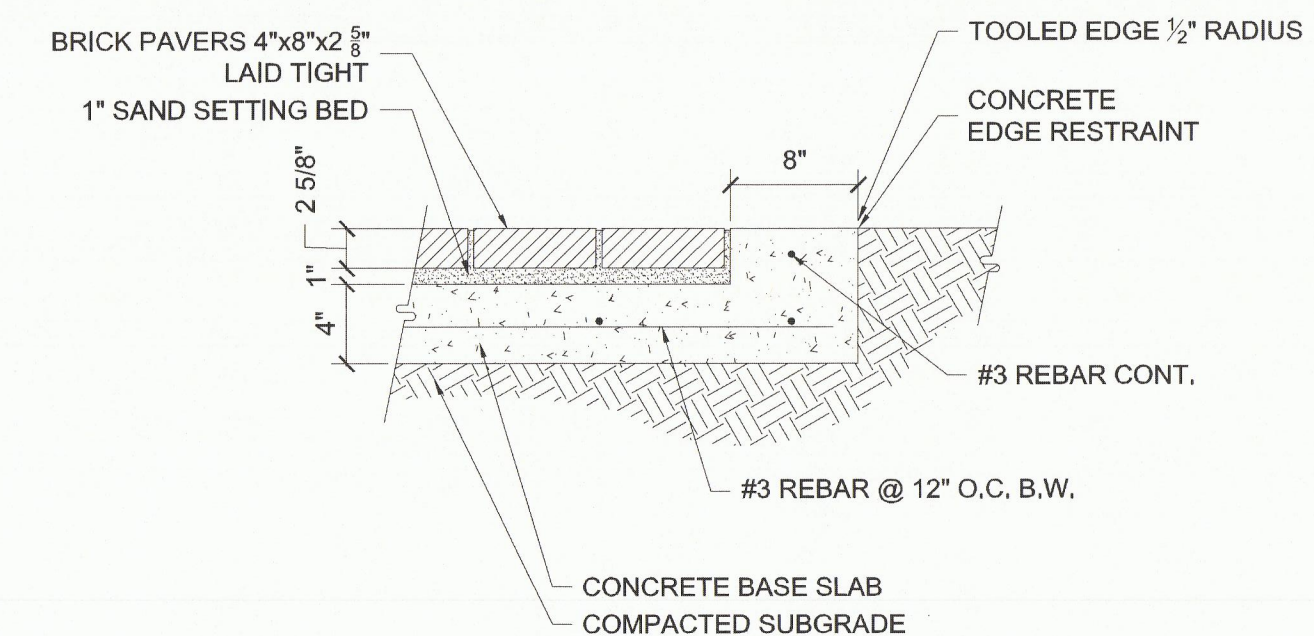
2 SHRUB / GROUNDCOVER PLANTING
NTS



3 SLEEVE & GROUNDBOX AT PAVING AND RELOCATIONS
NTS



4 BRICK PAVER LAYOUT
NTS



5 BRICK PAVERS
NTS

NOTE
RELOCATE IRRIGATION PIPES & CONTROL WIRES AS NEEDED TO ACCOMMODATE DRILL SHAFTS FOR ROADWAY LIGHTING. INSTALL ALL IRRIGATION PIPES & CONTROL WIRES LOCATED UNDER PAVING WITHIN SCHEDULE 40 PVC SLEEVES AND LARGE DIAMETER SWEEPS AT BENDS. SIZE AND NUMBER OF SLEEVES BASED ON PIPE AND WIRE SPACE REQUIREMENTS.



February 25, 2011

NO.	DATE	REVISION	APPROV.
HNTB ARCHITECTS ENGINEERS PLANNERS <small>The HNTB Companies - TBPE Firm No. 420 2001 BRYAN STREET, SUITE 100 DALLAS, TEXAS 75201 (214) 748-8400</small>			
BELT LINE ROAD MEDIAN MARSH LANE TO DALLAS N. TOLLWAY HARDSCAPE, LANDSCAPE & IRRIGATION DETAILS			
SHEET 1 OF 1			
TOWN OF ADDISON, TEXAS			
DESIGN	AF	DRAWN	BB
CHECK	BR	CHECK	TK
DATE	SCALE		HNTB NO.
25-Feb-11			48564
SHEET NO.			41

ISSUED FOR CONSTRUCTION - 6/1/11