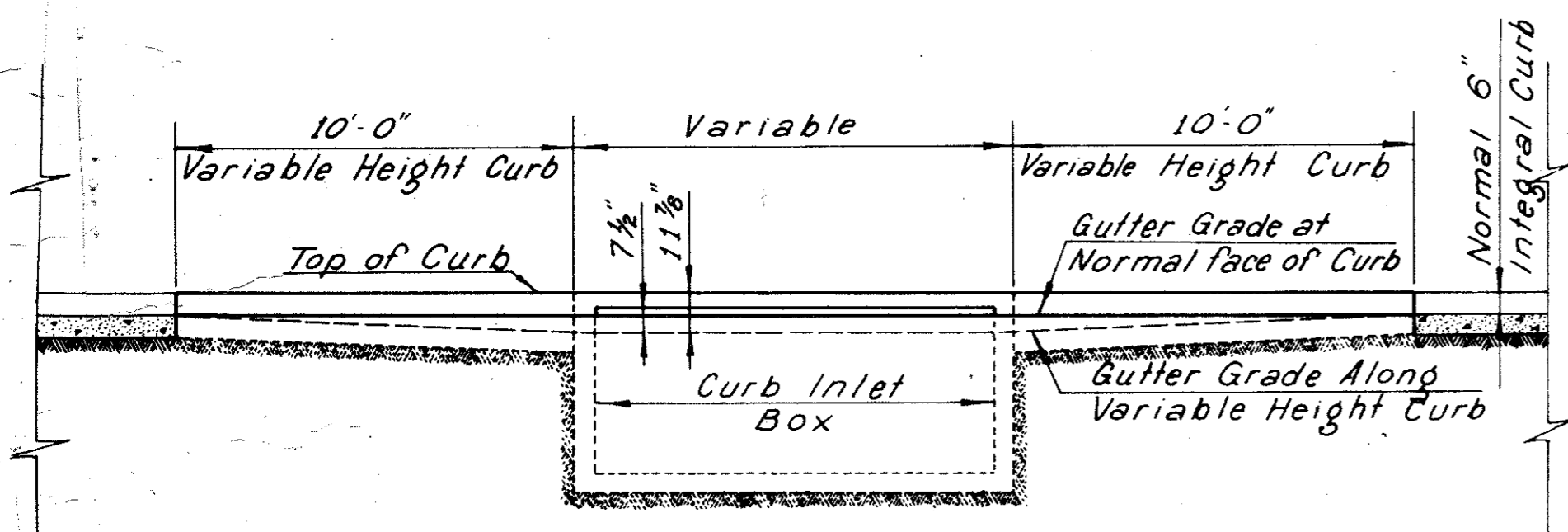
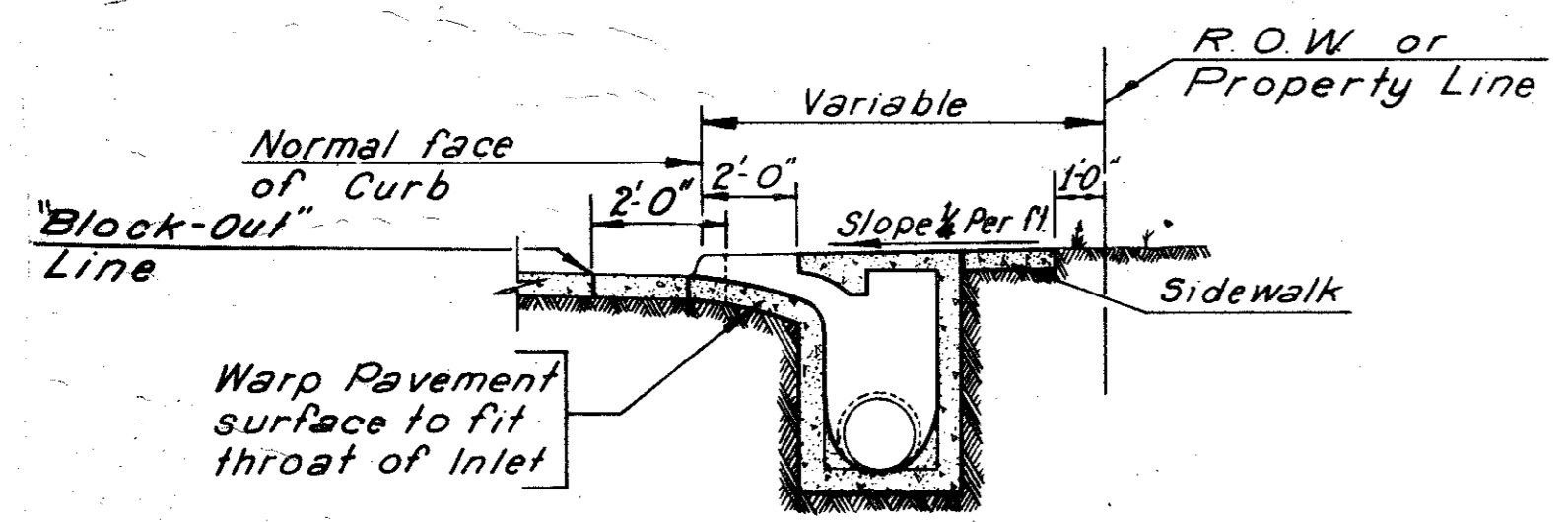


PLAN

Payment for Curb & Gutter with in these Limits to be Included in Price Bid Per Curb Inlet



ELEVATION



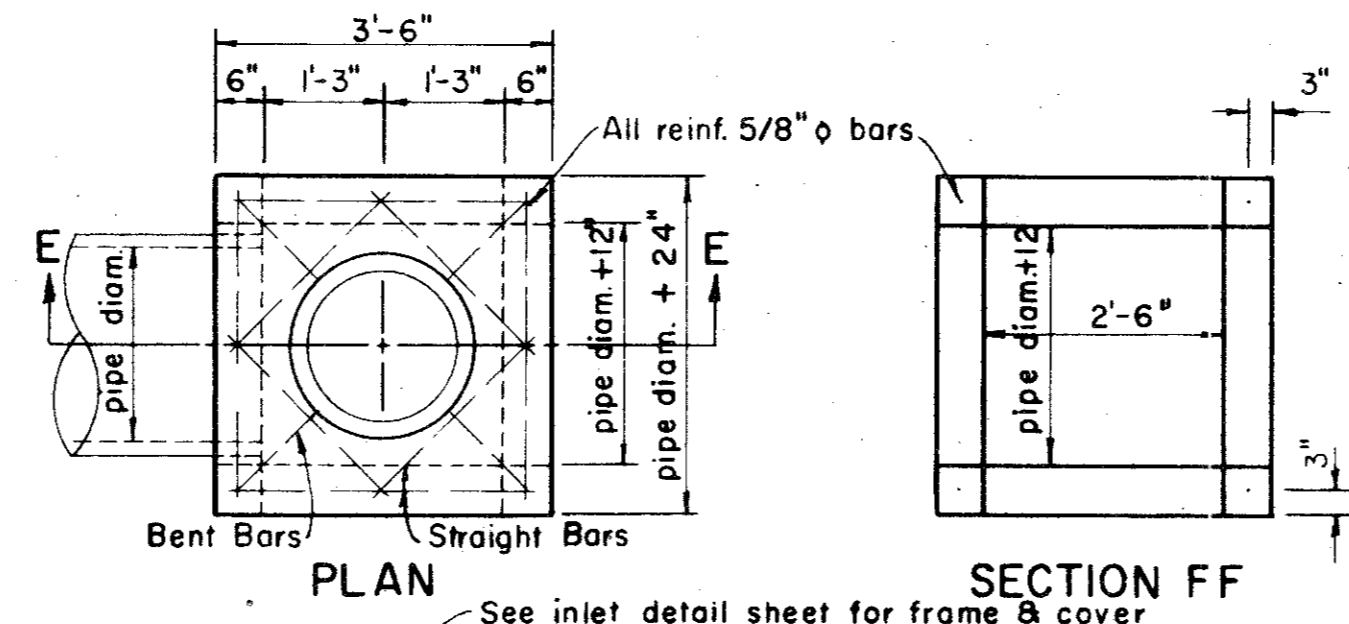
SECTION A-A

Note: Reinforcing Steel Shall Be Located As Specified For Standard Curb Inlet

RECESSED STORM SEWER CURB INLET

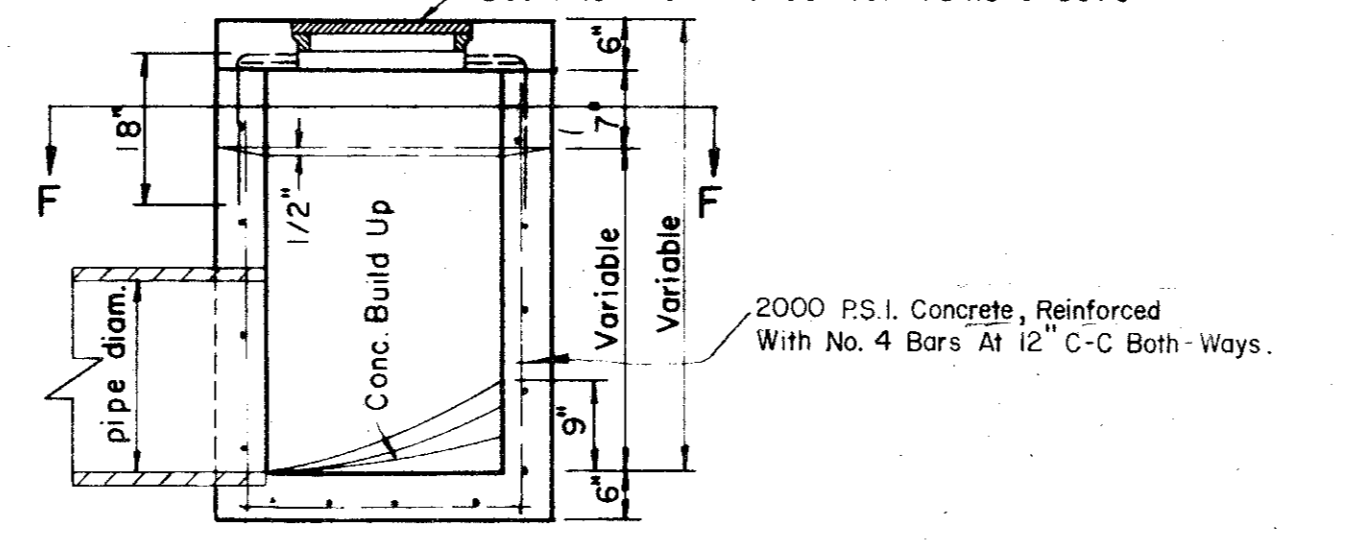
SCALE: 1/4" = 1'-0"

"Y" TYPE INLET



PLAN

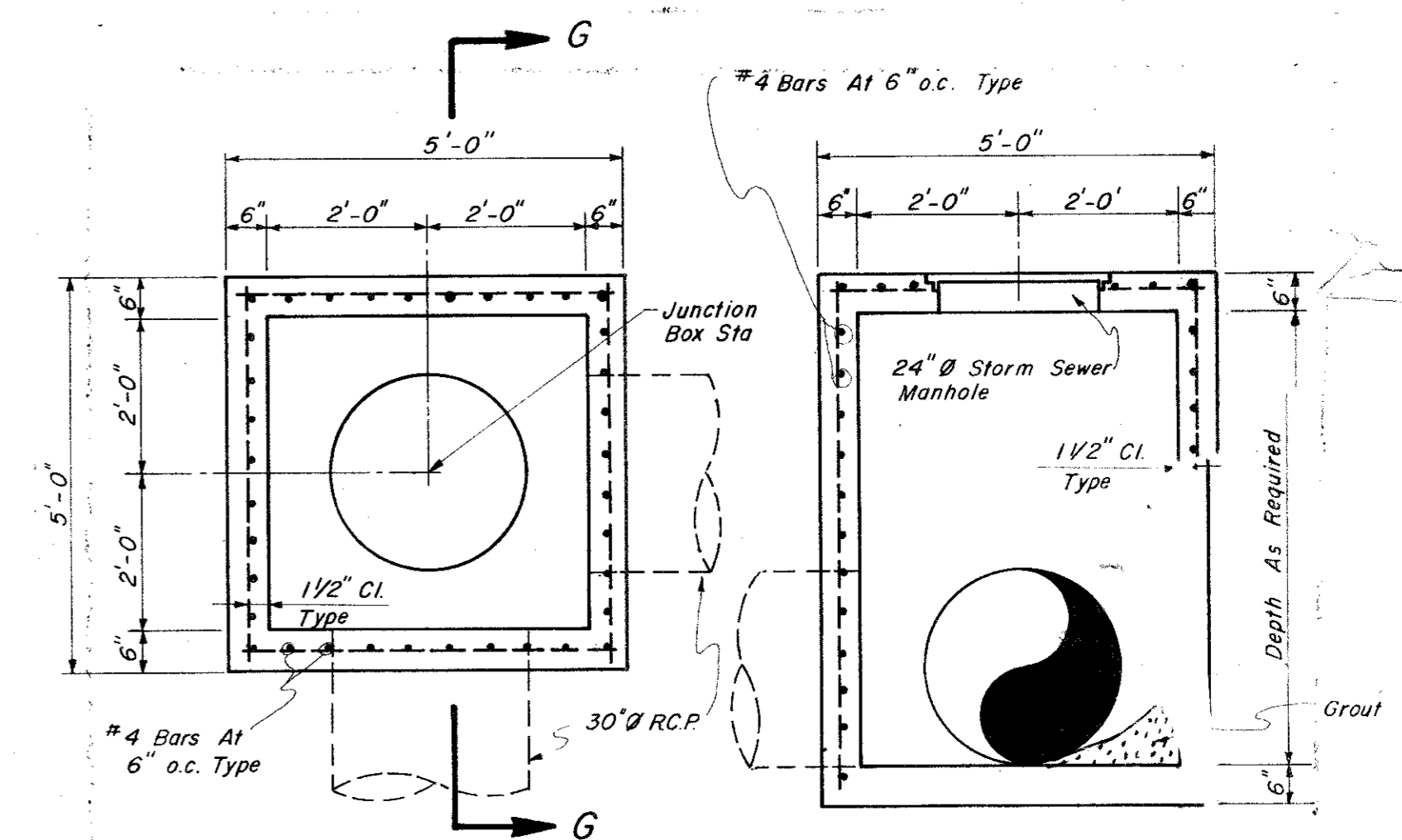
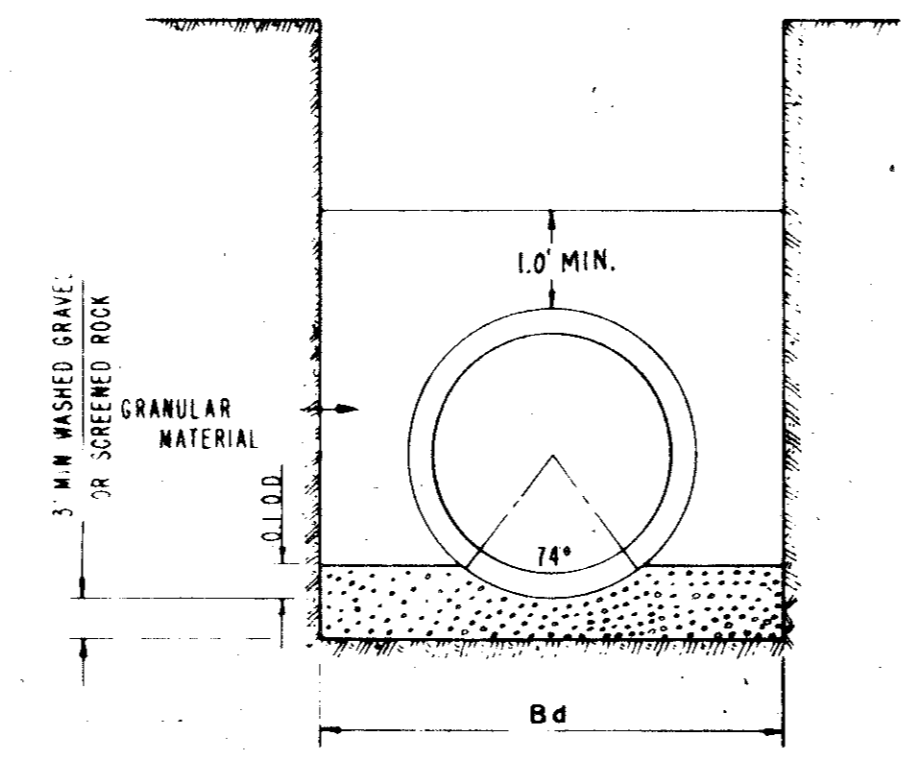
SECTION FF



SECTION EE

| PIPE DIA. | | | CUBIC YARDS PER 100 LF. | |
|-----------|--------|------|-------------------------|-------------------|
| I.D. | O.D. | Bd | GRAVEL | GRANULAR MATERIAL |
| 15" | 19" | 39" | 4.53 | 22.28 |
| 18" | 22.5" | 42" | 5.13 | 25.15 |
| 21" | 26" | 45" | 5.76 | 28.03 |
| 24" | 29.5" | 48" | 6.42 | 30.94 |
| 27" | 33" | 51" | 7.11 | 33.86 |
| 30" | 37" | 54" | 7.85 | 36.72 |
| 33" | 40.5" | 57" | 8.59 | 39.64 |
| 36" | 44" | 60" | 9.36 | 42.58 |
| 39" | 47.5" | 63" | 10.16 | 45.53 |
| 42" | 51" | 66" | 10.99 | 48.51 |
| 48" | 58" | 72" | 12.72 | 54.51 |
| 54" | 65" | 78" | 14.57 | 60.57 |
| 60" | 72" | 84" | 16.53 | 66.71 |
| 66" | 79" | 90" | 18.60 | 72.22 |
| 72" | 86" | 96" | 20.79 | 79.19 |
| 78" | 93" | 102" | 23.08 | 85.53 |
| 84" | 100" | 108" | 25.49 | 91.95 |
| 90" | 108.5" | 115" | 28.47 | 99.02 |
| 96" | 114" | 120" | 30.64 | 104.98 |
| 102" | 122.5" | 129" | 34.66 | 118.41 |

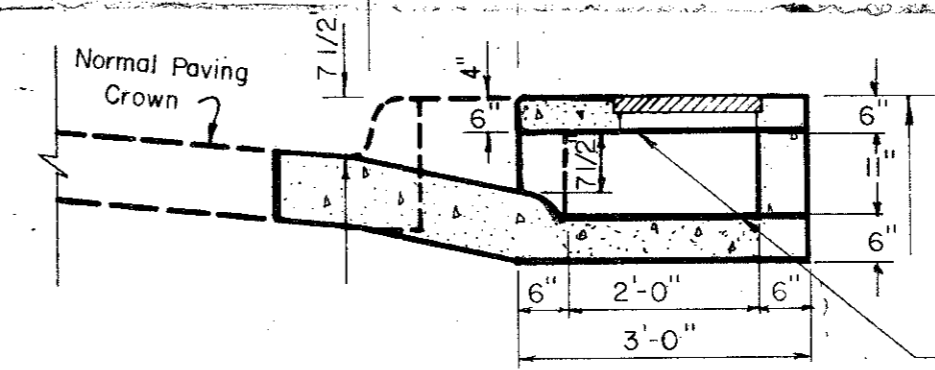
STORM SEWER EMBEDMENT



PLAN

SECTION "G-G"

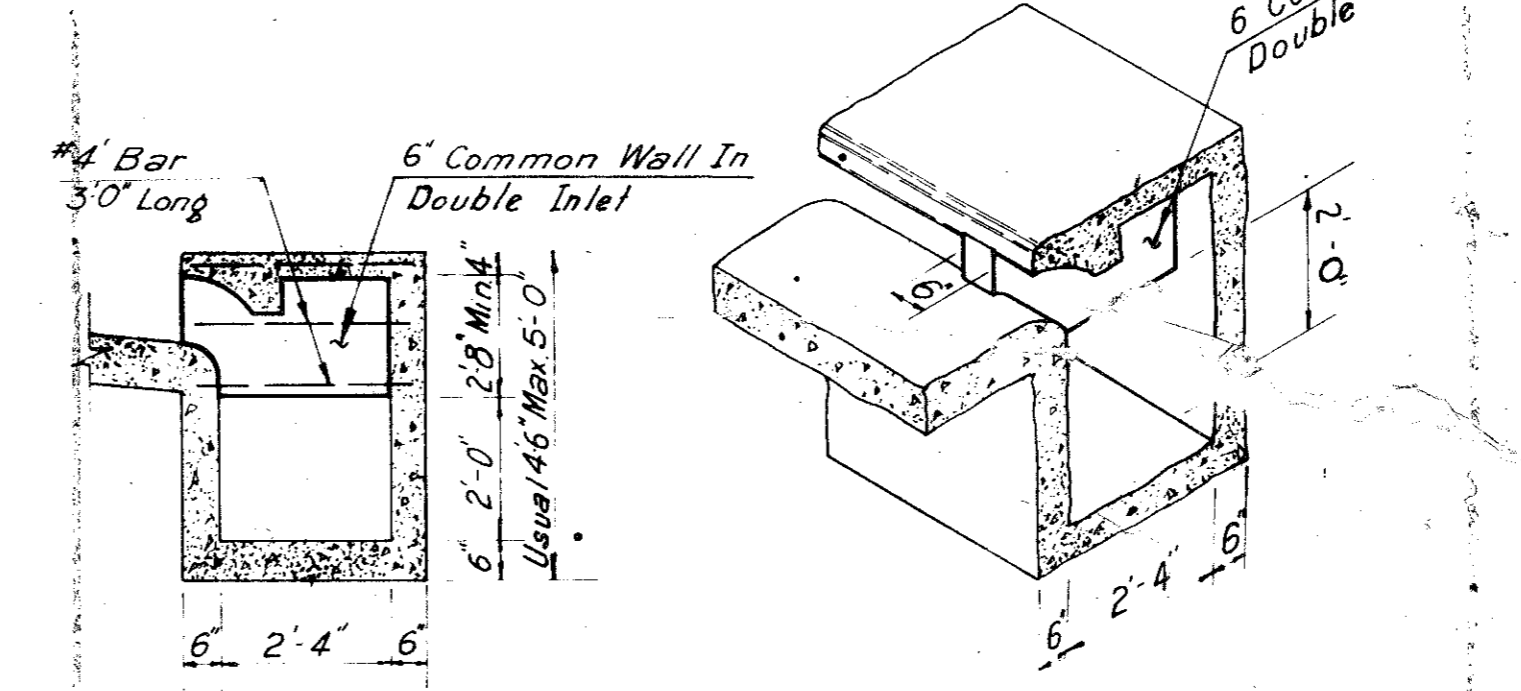
JUNCTION BOX
Scale: 1/2" = 1'-0"



SECTION A-A

6' MODIFIED RECESSED CURB INLET (DISCHARGE AT GRADE)

NOTE: All Reinforcing Steel other than steel in Common Wall shall be the same as shown in standard Inlet Details.



ELEVATION
Scale: 3/8" = 1'-0"

ISOMETRIC DETAIL
Scale: 3/8" = 1'-0"

MULTIPLE CURB INLET (COMMON WALL)

COUNTY OF
DEPARTMENT
RECESS
BEL
INTL
GINN, INC. C
DESIGNED J.C.H. DRAWN S.M.
APPROVED HWG CHECKED B.H.