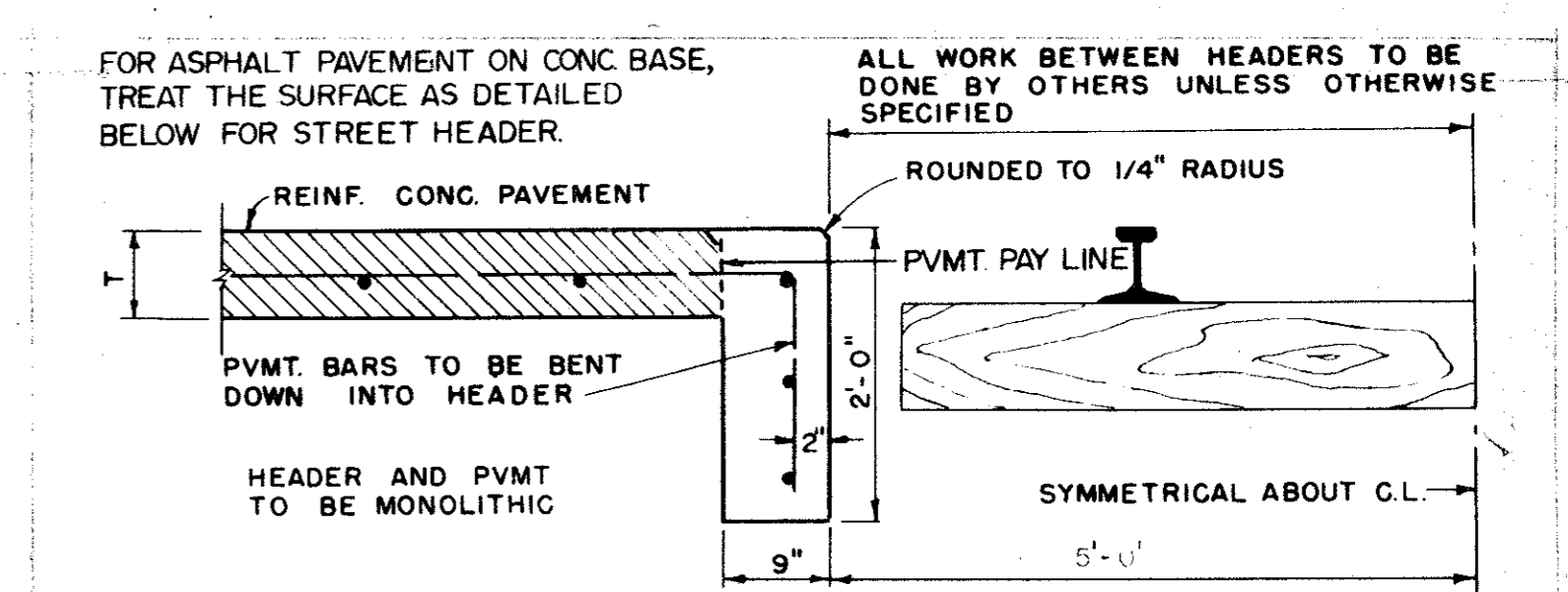
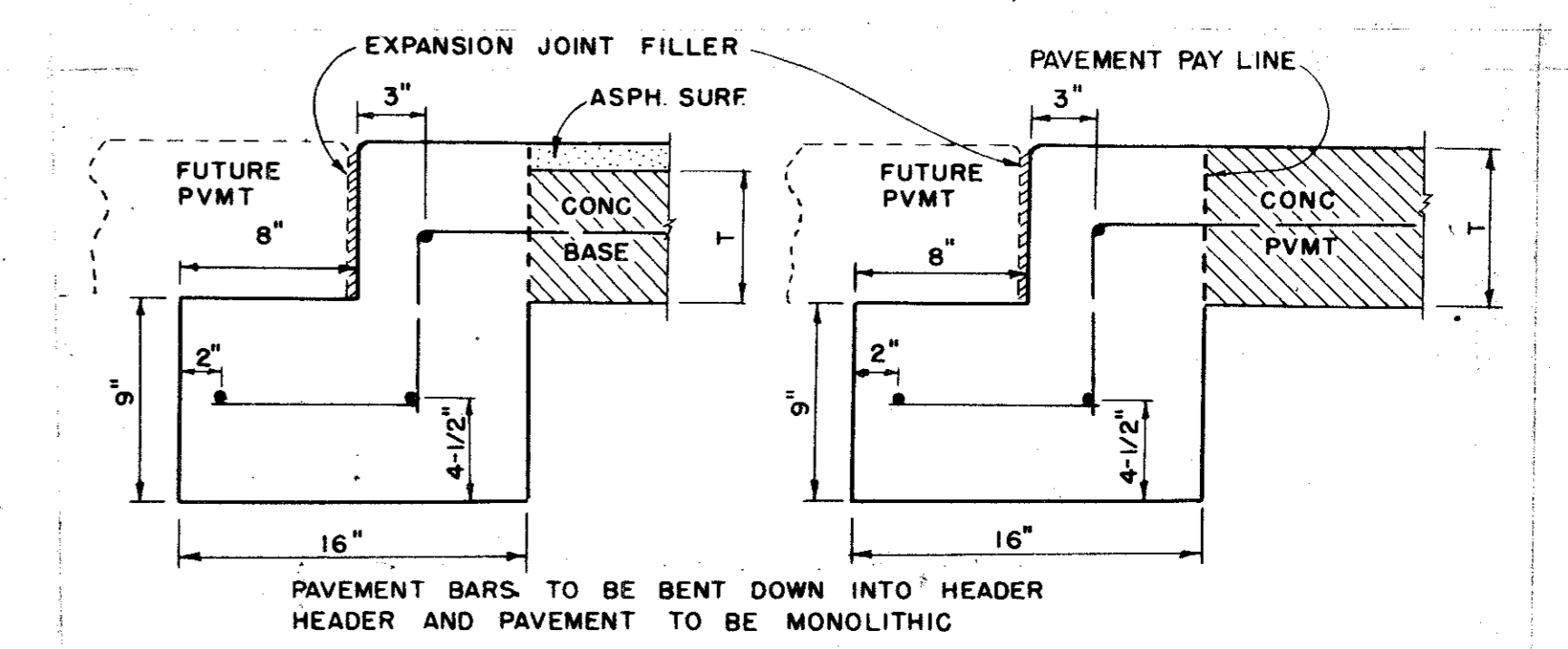
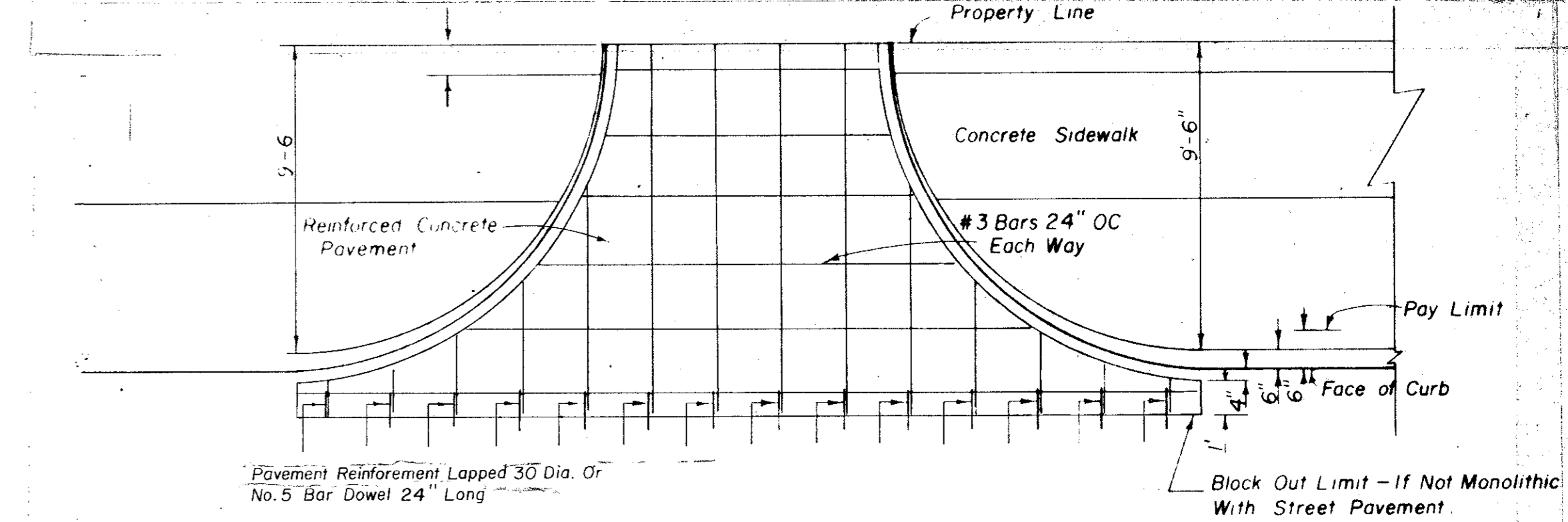
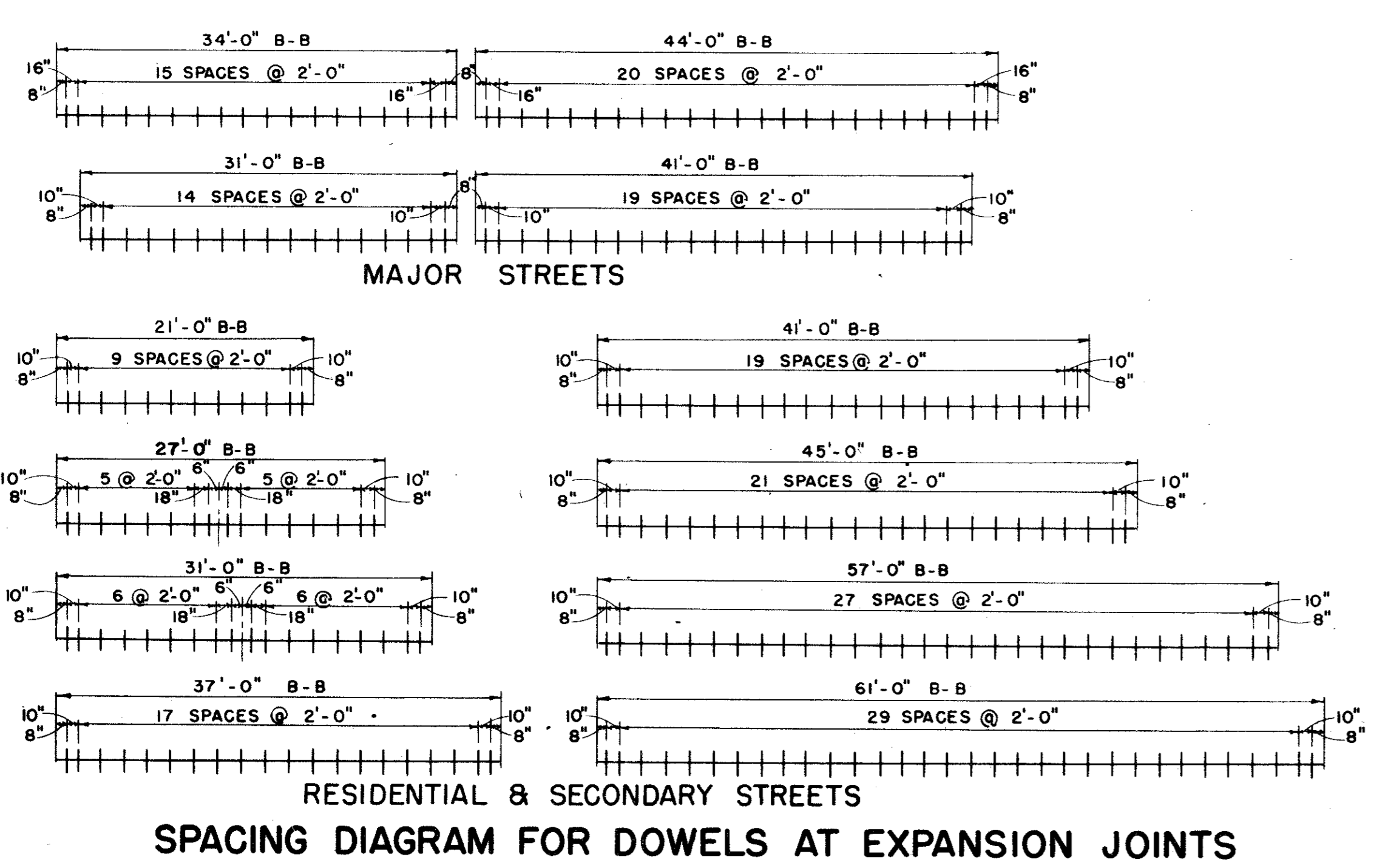
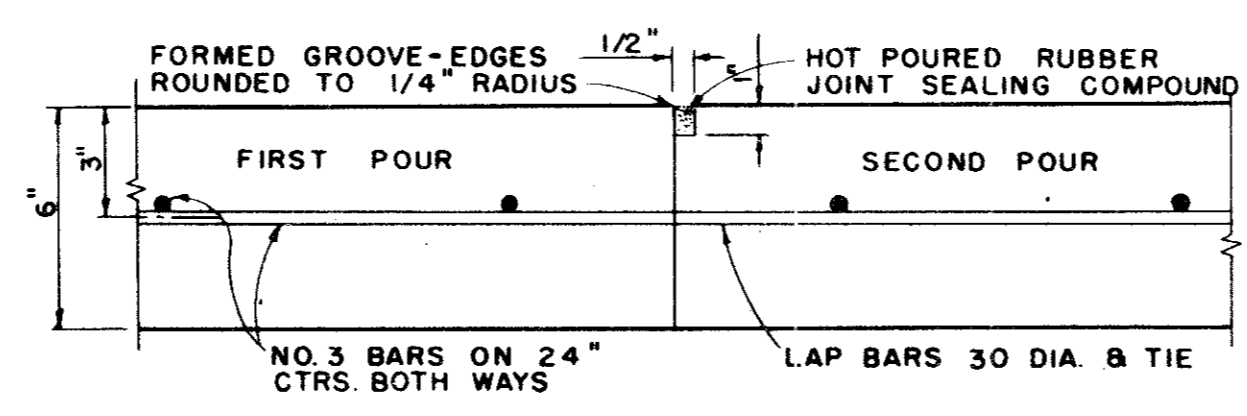
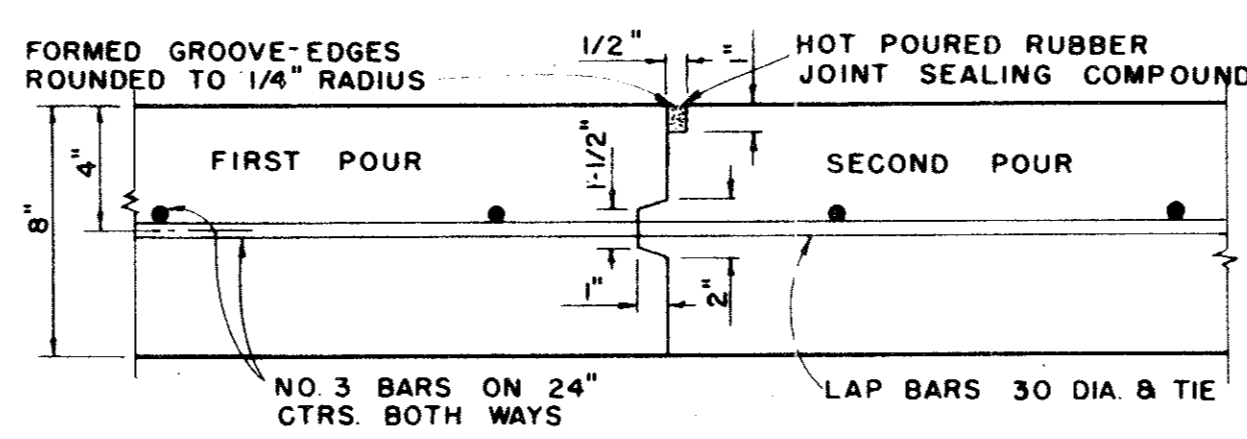
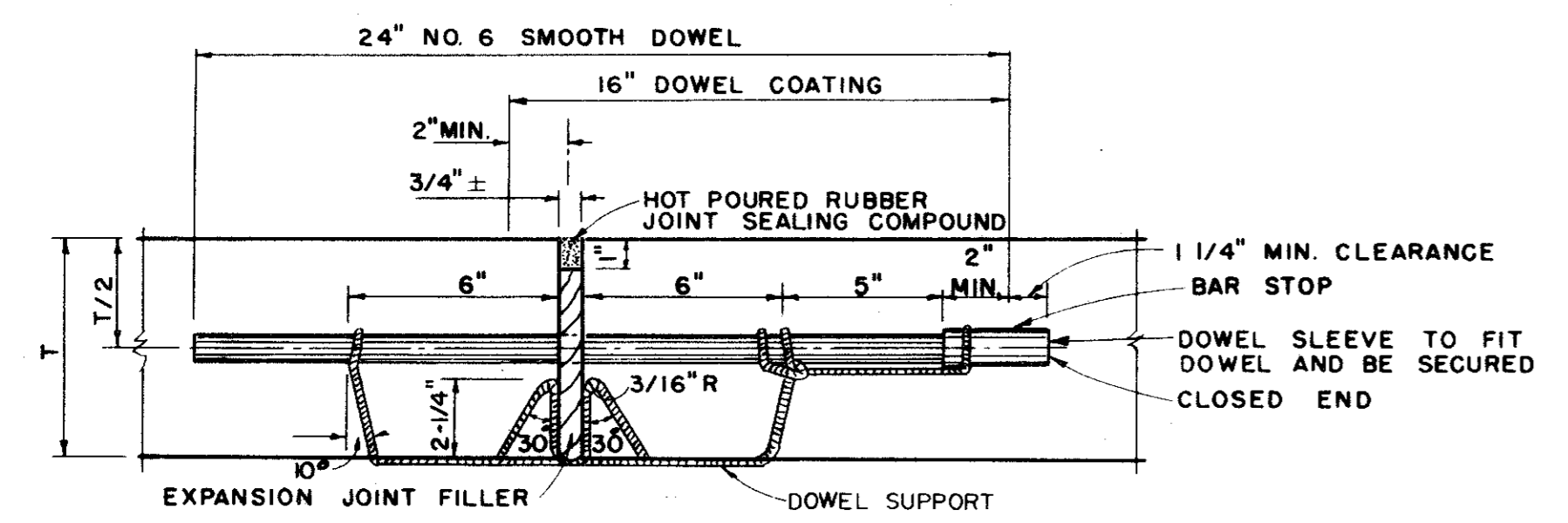
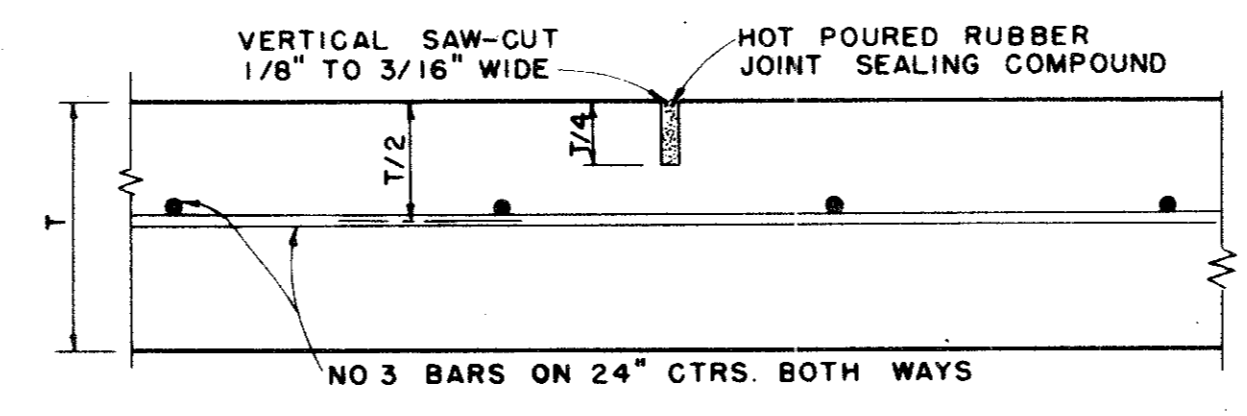


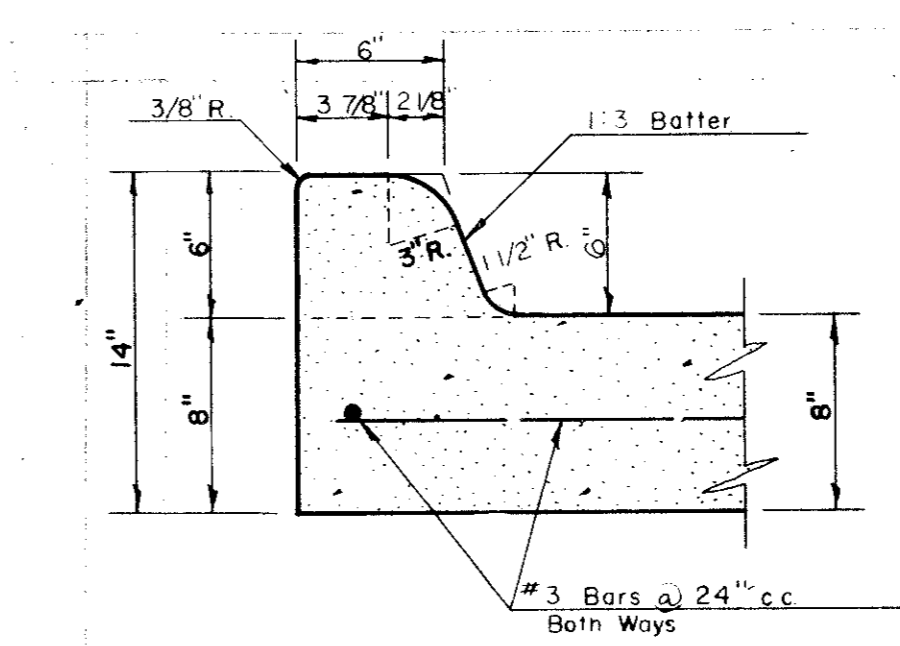
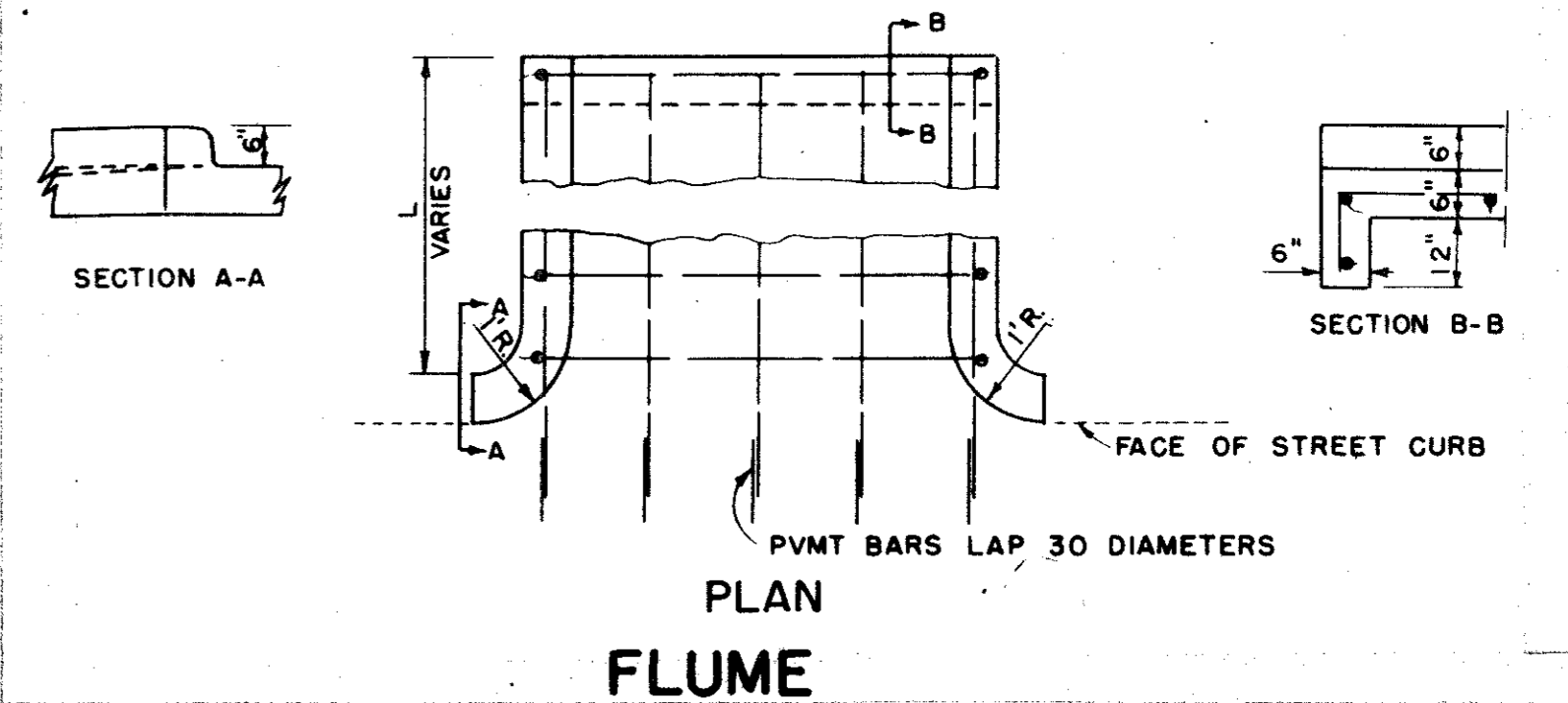
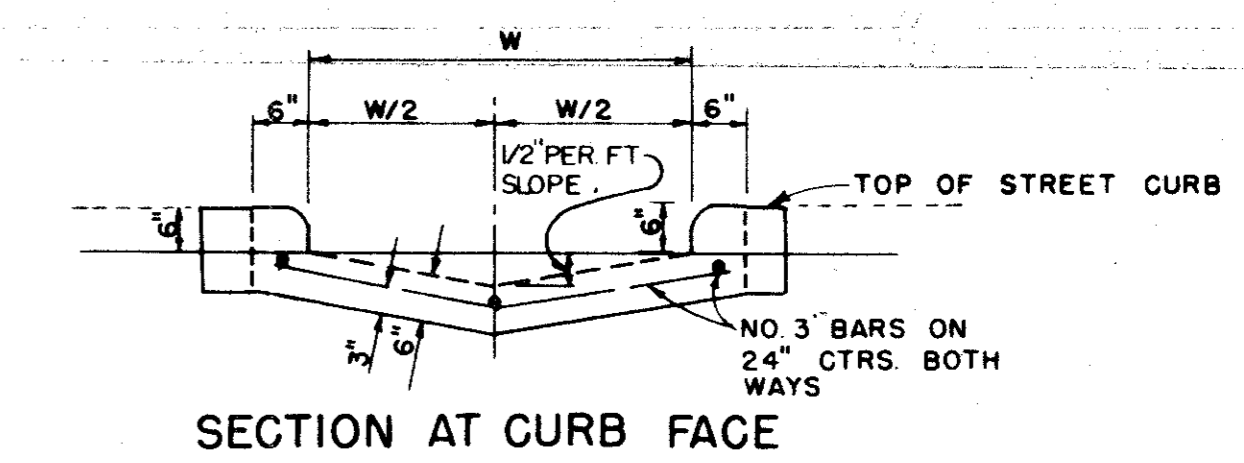
SAWED TRANSVERSE DUMMY JOINTS SPACED 40'-4"

CONSTRUCTION JOINT OR SAWED LONGITUDINAL DUMMY JOINT ALONG C.L. OF ALL SINGLE ROADWAY SECTIONS EXCEPT 20' ROADWAY.

ADDITIONAL SIMILAR JOINT 10'-0" EACH SIDE C.L. FOR 56' & 60' ROADWAY SECTIONS



**RAILROAD HEADER**



**CITY OF ADDISON**  
**COUNTY OF DALLAS, TEXAS**  
 DEPARTMENT OF PUBLIC WORKS

**PAVING DETAILS B**

GINN, INC., CONSULTING ENGINEERS

DESIGNED: H.B.J. DRAWN: S.M. DATE: MAY - 1980 FILE:  
 APPROVED: H.W.G. CHECKED: B.H. SCALE: NONE SHEET 46