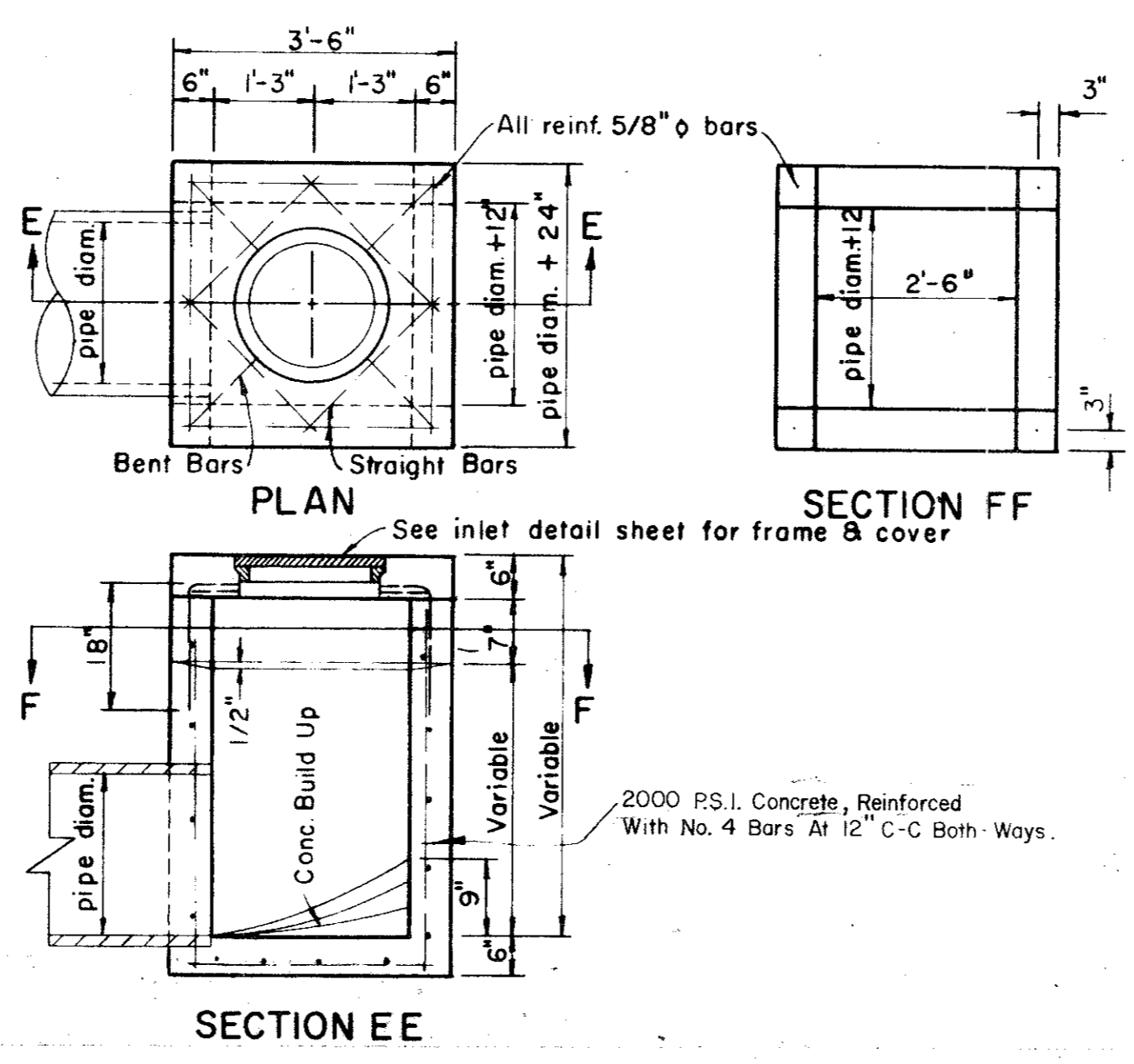


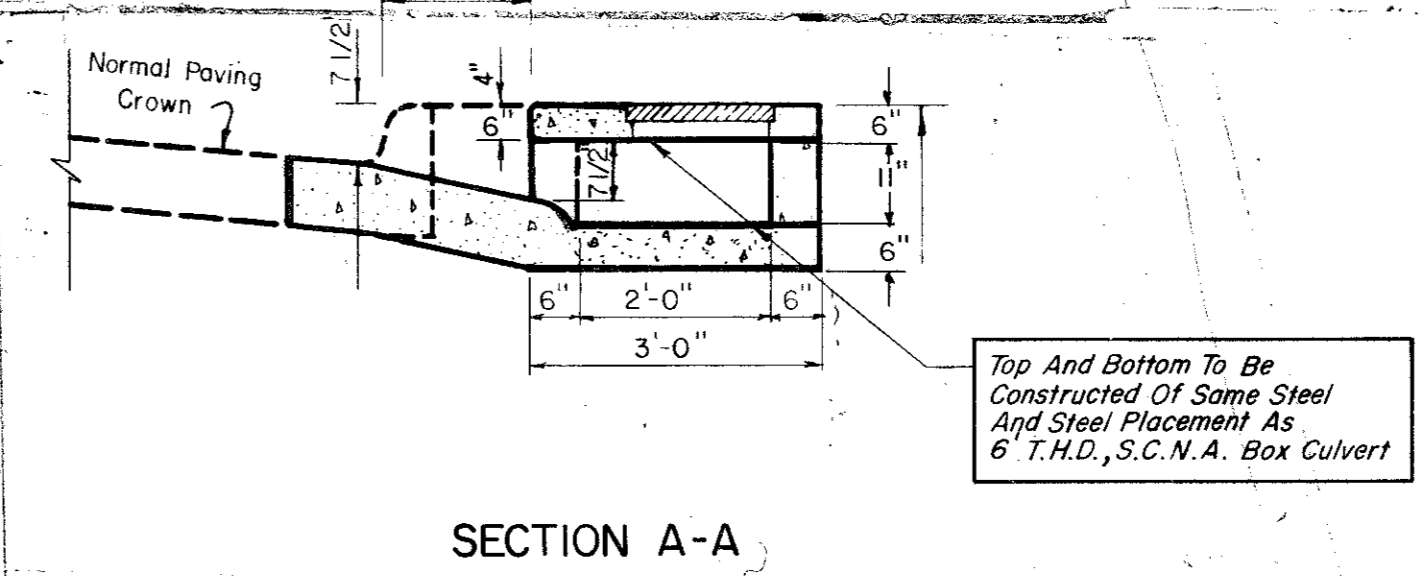
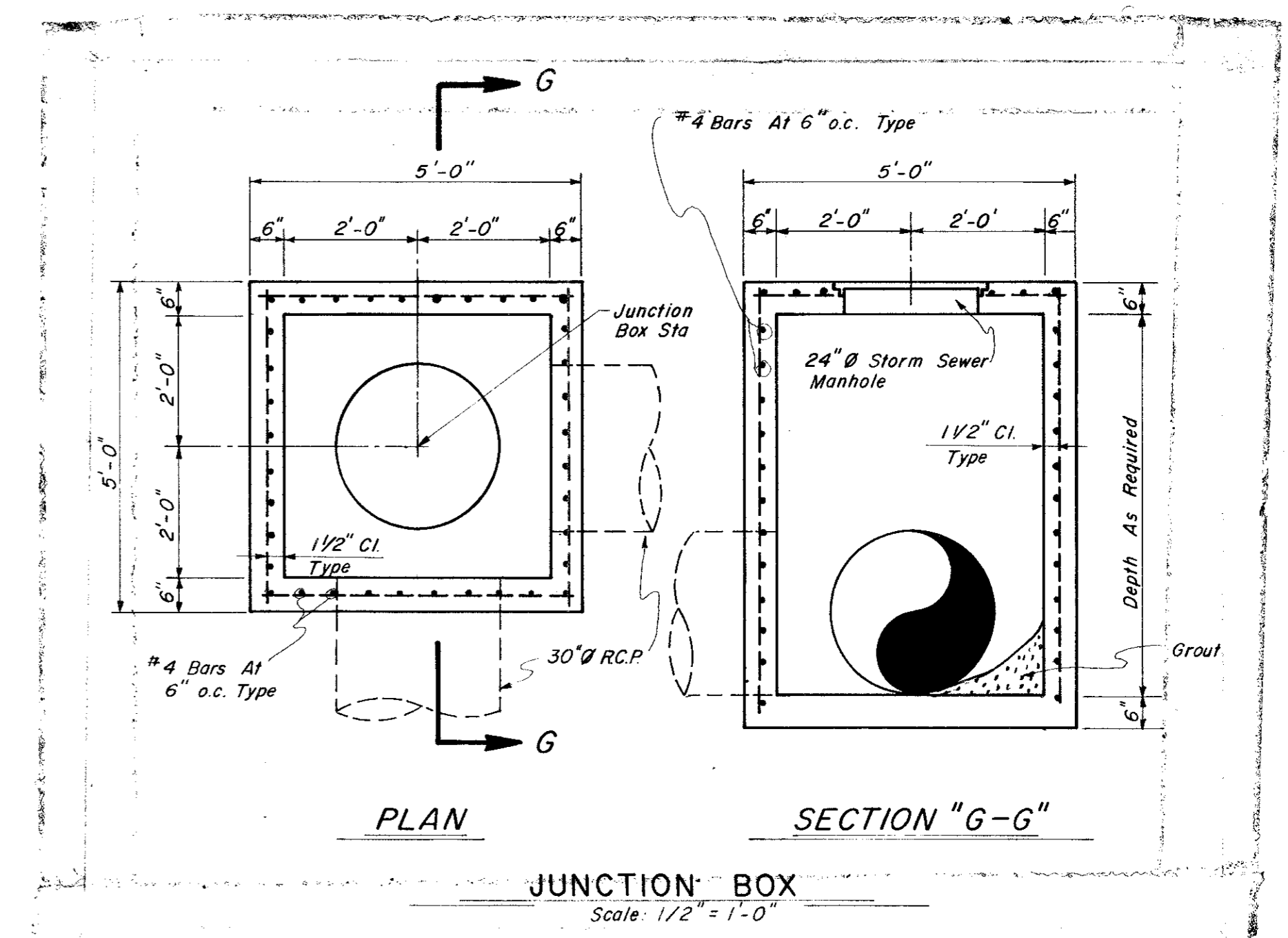
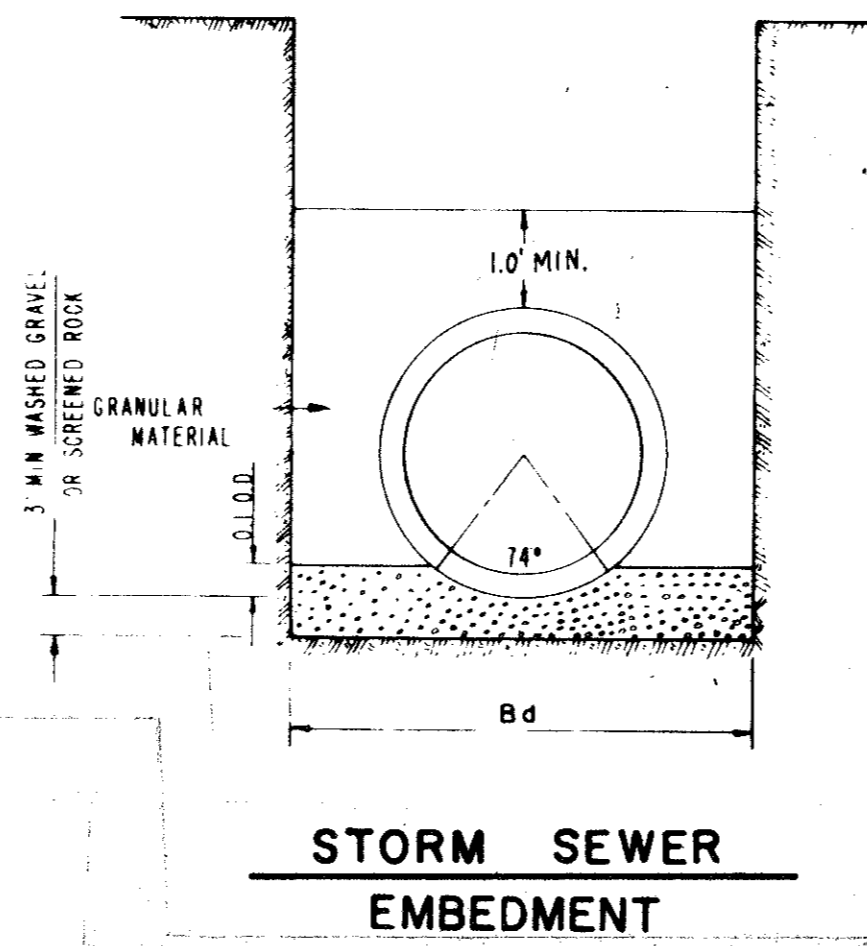
RECESSED STORM SEWER CURB INLET
SCALE: 1/4" = 1'-0"

Note: Reinforcing Steel Shall Be Located As Specified For Standard Curb Inlet

"Y" TYPE INLET

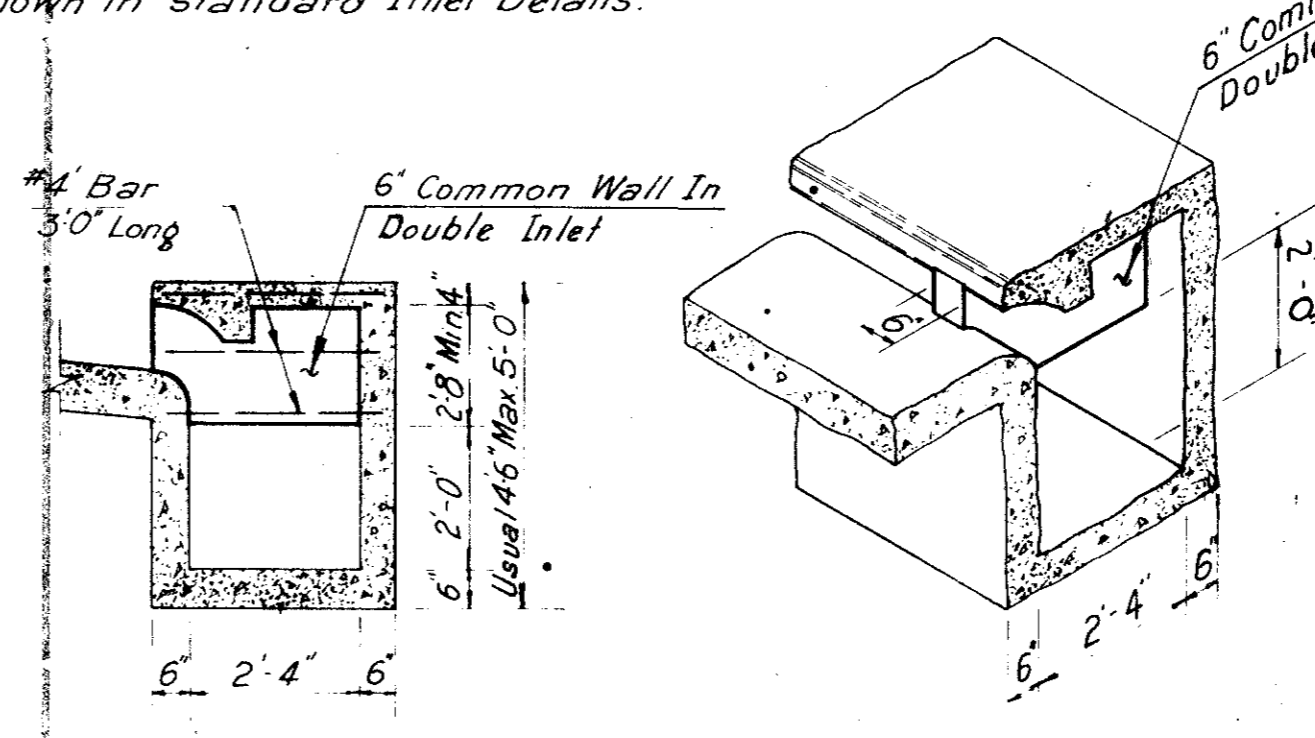


PIPE DIA.		Bd	CUBIC YARDS PER 100 L.F.	
I.D.	O.D.		GRAVEL	GRANULAR MATERIAL
15"	19"	39"	4.53	22.28
18"	22.5"	42"	5.13	25.15
21"	26"	45"	5.76	28.03
24"	29.5"	48"	6.42	30.94
27"	33"	51"	7.11	33.86
30"	37"	54"	7.85	36.72
33"	40.5"	57"	8.59	39.64
36"	44"	60"	9.36	42.58
39"	47.5"	63"	10.16	45.53
42"	51"	66"	10.99	48.51
48"	58"	72"	12.72	54.51
54"	65"	78"	14.57	60.57
60"	72"	84"	16.53	66.71
66"	79"	90"	18.60	72.22
72"	86"	96"	20.79	79.19
78"	93"	102"	23.08	85.53
84"	100"	108"	25.49	91.95
90"	108.5"	115"	28.47	99.02
96"	114"	120"	30.64	104.98
102"	122.5"	129"	34.66	118.41



6' MODIFIED RECESSED CURB INLET (DISCHARGE AT GRADE)

NOTE: All Reinforcing Steel other than steel in Common Wall shall be the same as shown in standard Inlet Details.



MULTIPLE CURB INLET (COMMON WALL)
SCALE: 3/8" = 1'-0"

CITY OF ADDISON
COUNTY OF DALLAS, TEXAS
DEPARTMENT OF PUBLIC WORKS
RECESSED CURB INLET
BELT LINE ROAD
INLET DETAILS
GINN, INC., CONSULTING ENGINEERS
DESIGNED: J.C.H. DRAWN: S.M. DATE: MAY 1980 FILE:
APPROVED: H.W.C. CHECKED: B.H. SCALE: AS SHOWN SHEET: 49