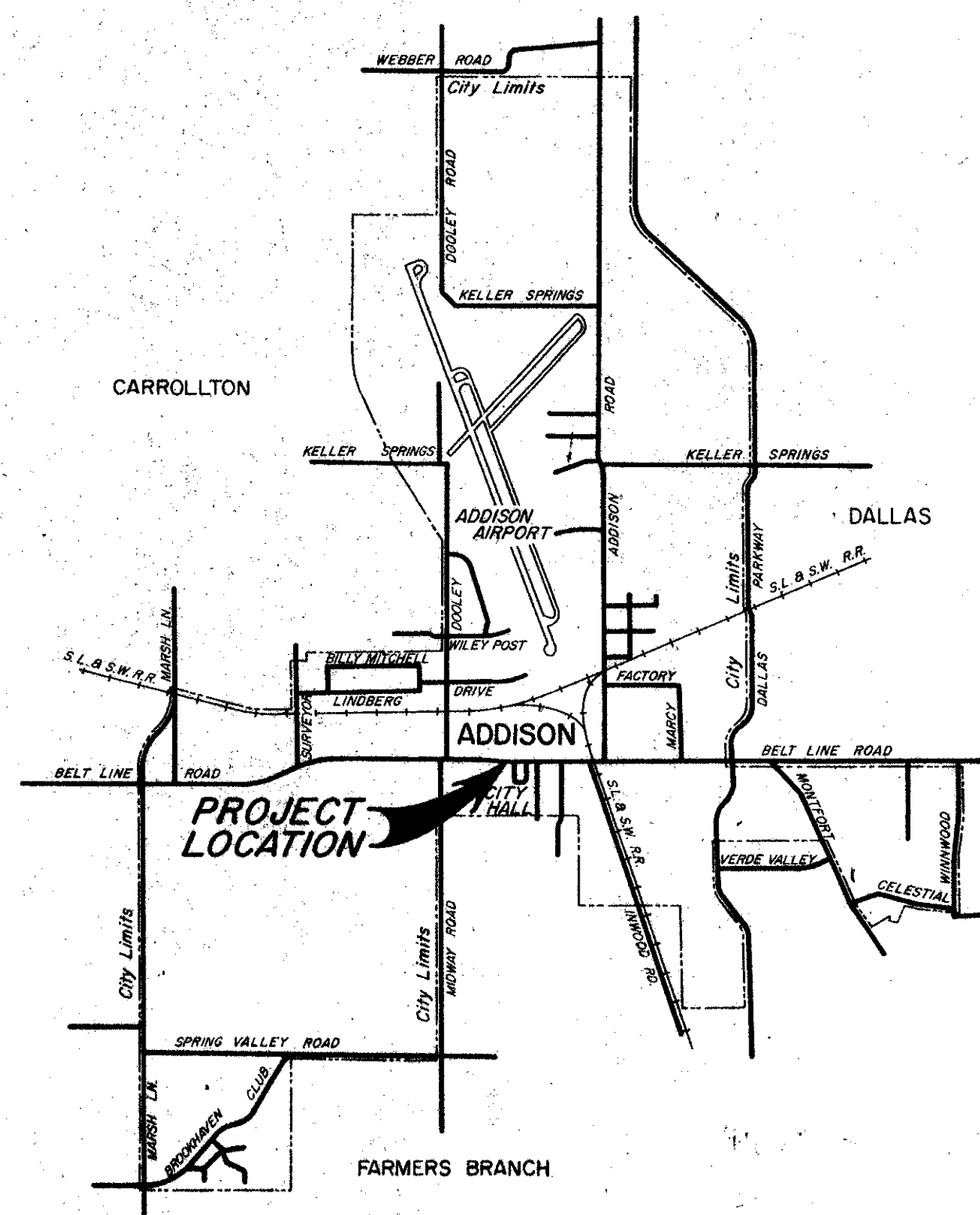


# CITY OF ADDISON DALLAS COUNTY, TEXAS

## CONSTRUCTION PLANS FOR: BELT LINE ROAD STORM SEWER

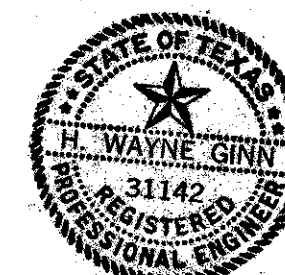


**JERRY J. REDDING - MAYOR  
COUNCILMEN:**

**JOHN B. ALLEN  
RICHARD RODER  
WILLIAM F. SELLMAYER  
A. E. MARCY  
TERRY ROBERTS**

**C. J. WEBSTER - CITY ADMINISTRATOR**

**GINN & STACY, INC.**  
CONSULTING ENGINEERS  
DALLAS, TEXAS  
1977



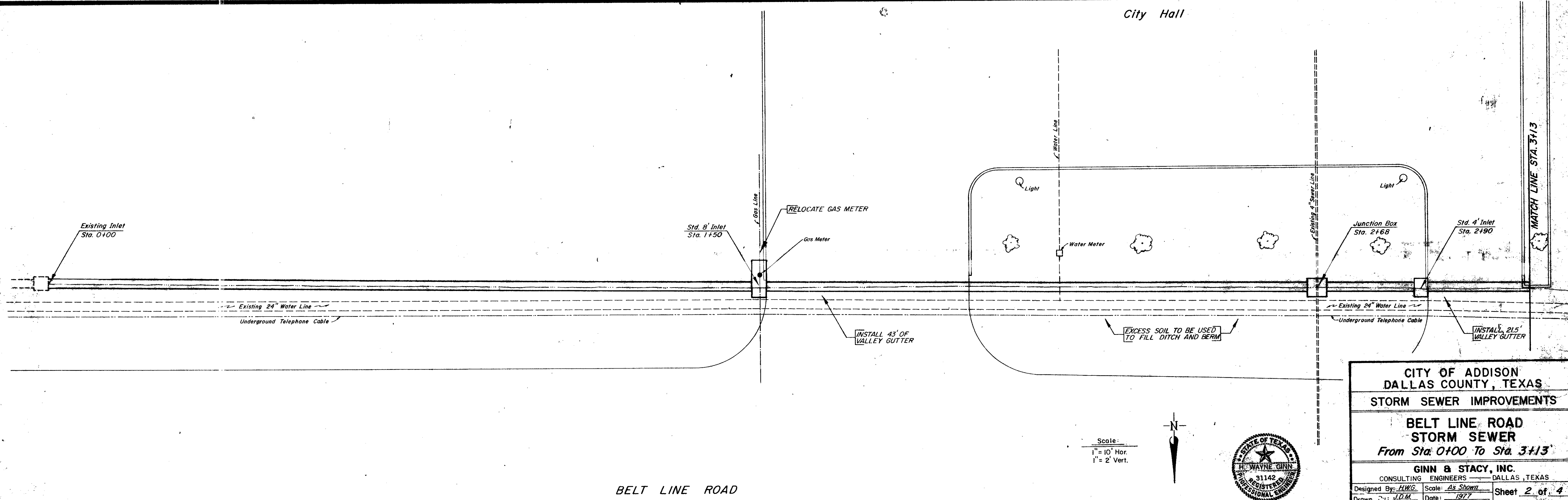
*Drawer # 5  
Iron # 7*

**RECORD DRAWINGS**



DATE	
BY	
REVISION	
NO. 1	
NO. 2	
NO. 3	
NO. 4	
NO. 5	
NO. 6	
NO. 7	
NO. 8	
NO. 9	
NO. 10	

DATE	
BY	
REVISION	
NO. 1	
NO. 2	
NO. 3	
NO. 4	
NO. 5	
NO. 6	
NO. 7	
NO. 8	
NO. 9	
NO. 10	



CITY OF ADDISON  
DALLAS COUNTY, TEXAS

STORM SEWER IMPROVEMENTS

BELT LINE ROAD  
STORM SEWER  
From Sta. 0+00 To Sta. 3+13

GINN & STACY, INC.  
CONSULTING ENGINEERS DALLAS, TEXAS

Designed By: H.W.G. Scale: As Shown  
Drawn By: J.D.M. Date: 1977

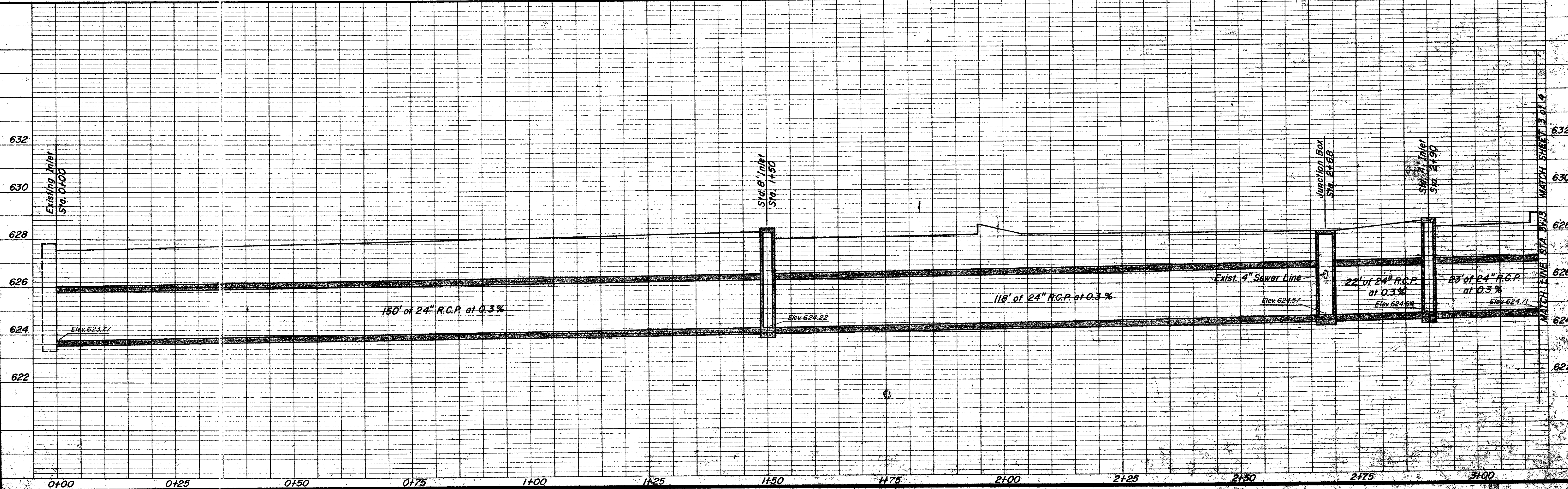
Sheet 2 of 4



Scale:  
1" = 10' Hor.  
1" = 2' Vert.

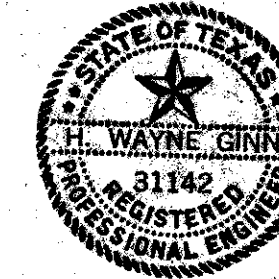


BELT LINE ROAD





Fire Station



CITY OF ADDISON  
DALLAS COUNTY, TEXAS  
STORM SEWER IMPROVEMENTS

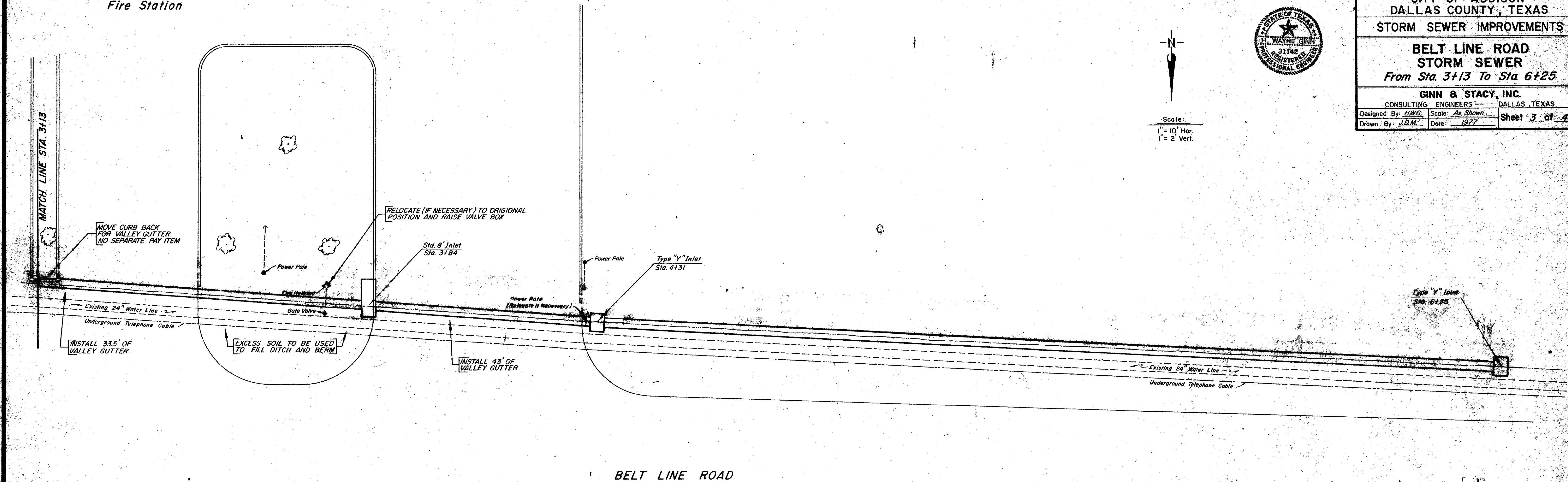
**BELT LINE ROAD  
STORM SEWER**  
From Sta. 3+13 To Sta. 6+25

GINN & STACY, INC.  
CONSULTING ENGINEERS DALLAS, TEXAS  
Designed By: *H.W.G.* Scale: *As Shown* Sheet 3 of 4  
Drawn By: *J.D.M.* Date: *1977*

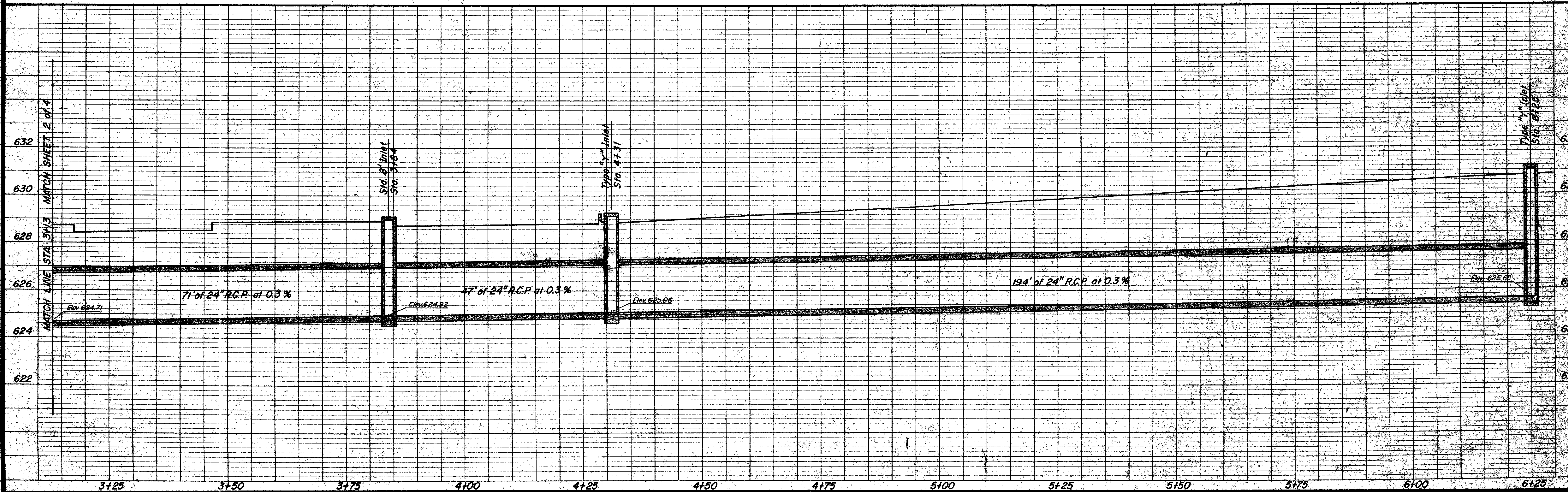


Scale:  
1" = 10' Hor.  
1" = 2' Vert.

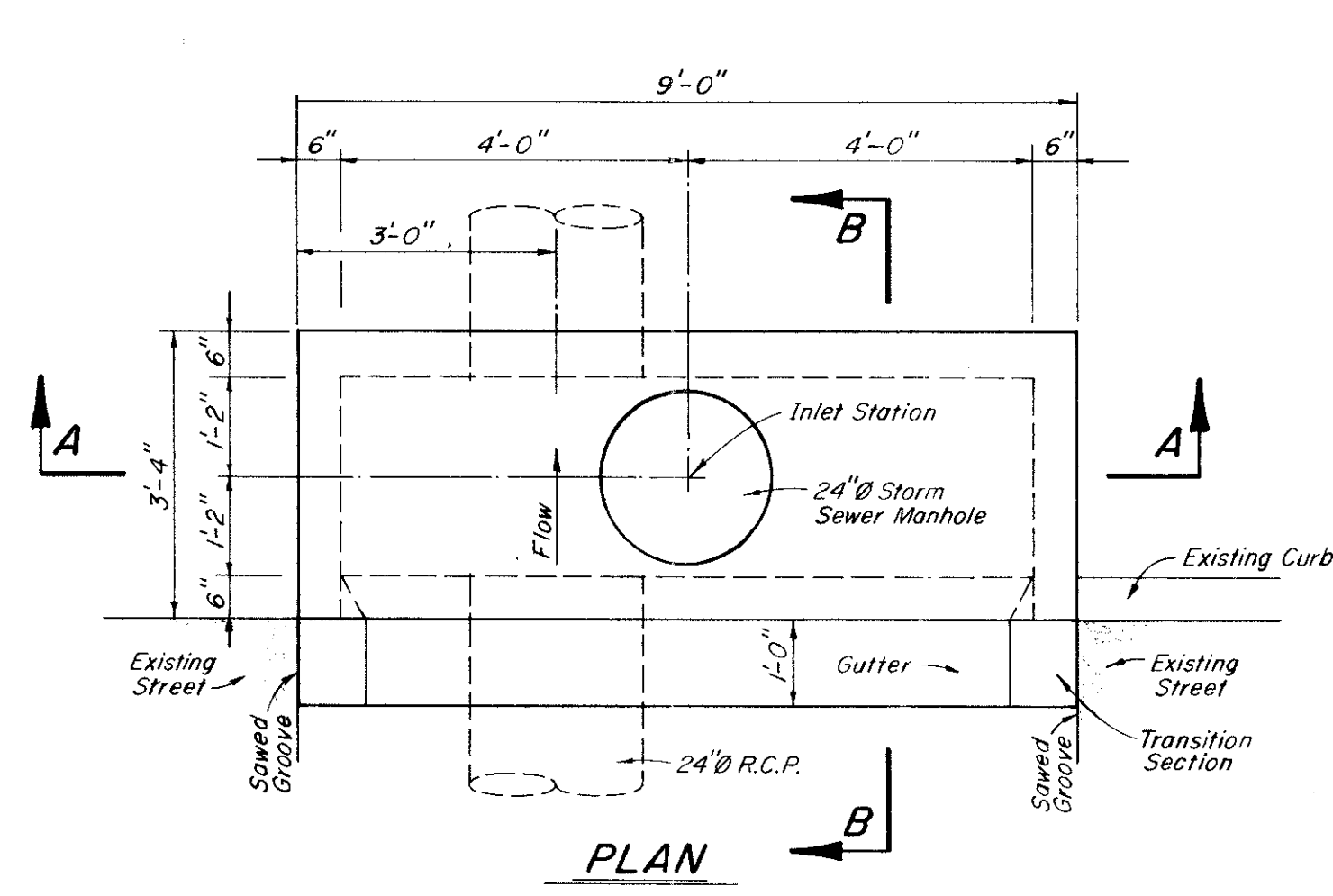
DATE	
BY	
REVISION	
NOTED	
PLAN	
NOTE BOOK	
No.	



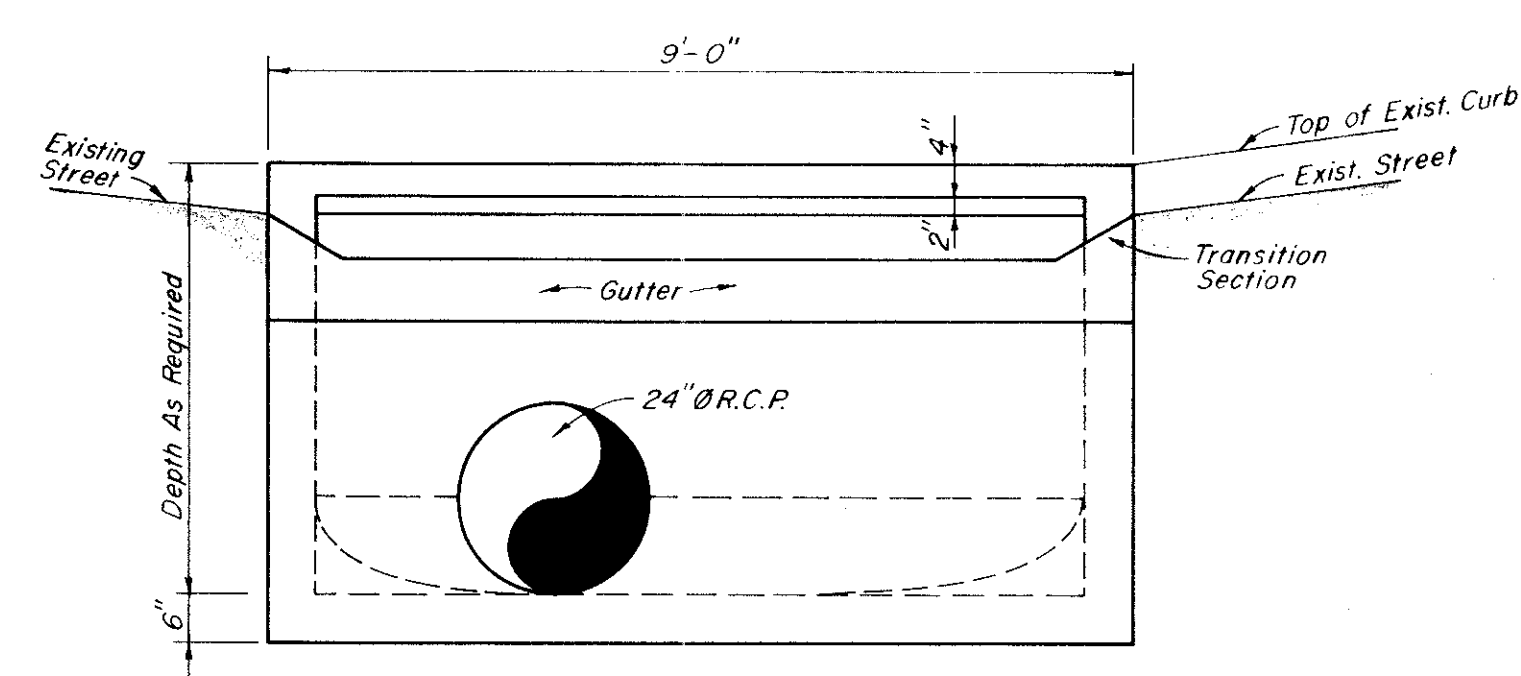
DATE	
BY	
REVISION	
NOTED	
PROFILE	
NOTE BOOK	
No.	



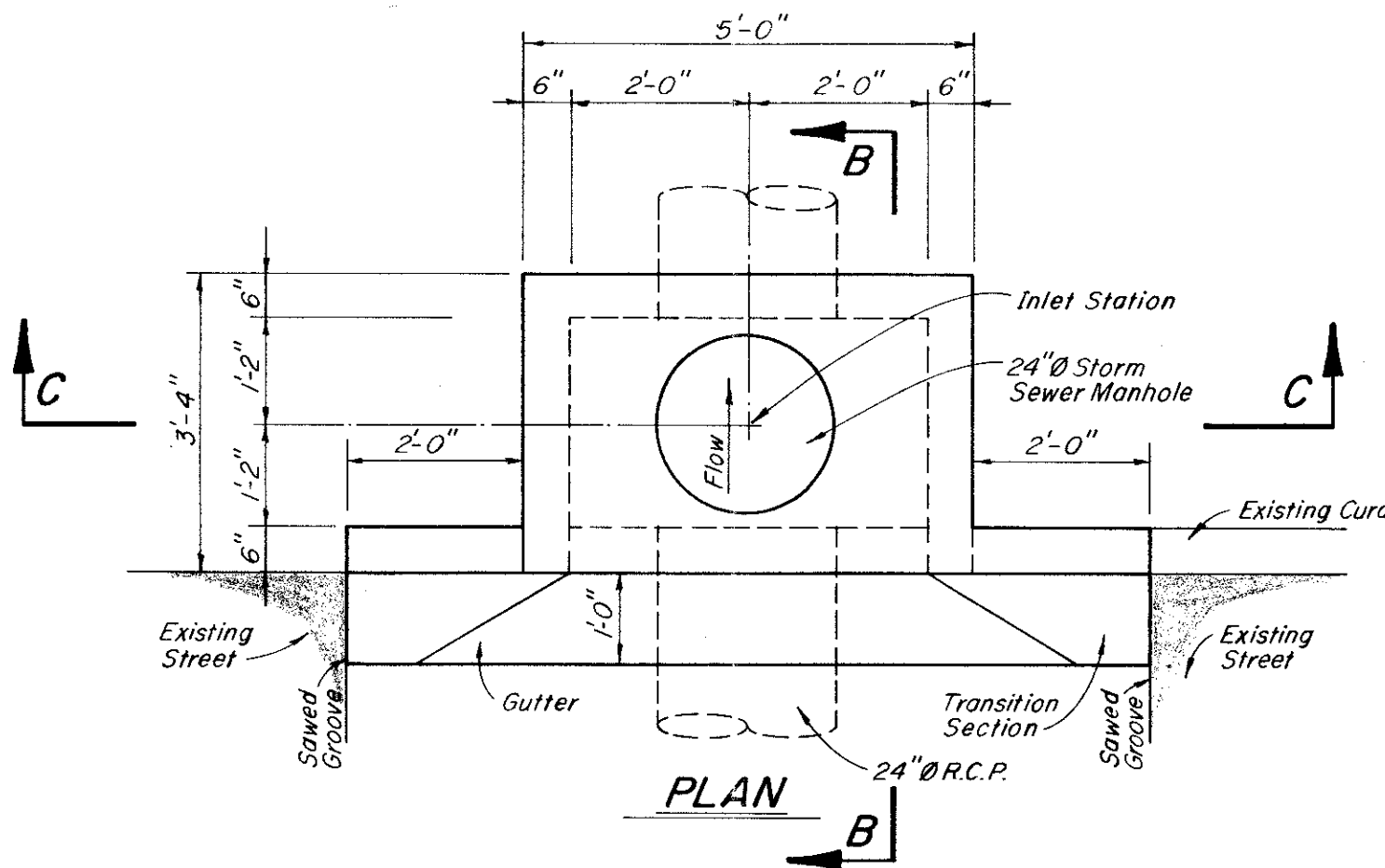




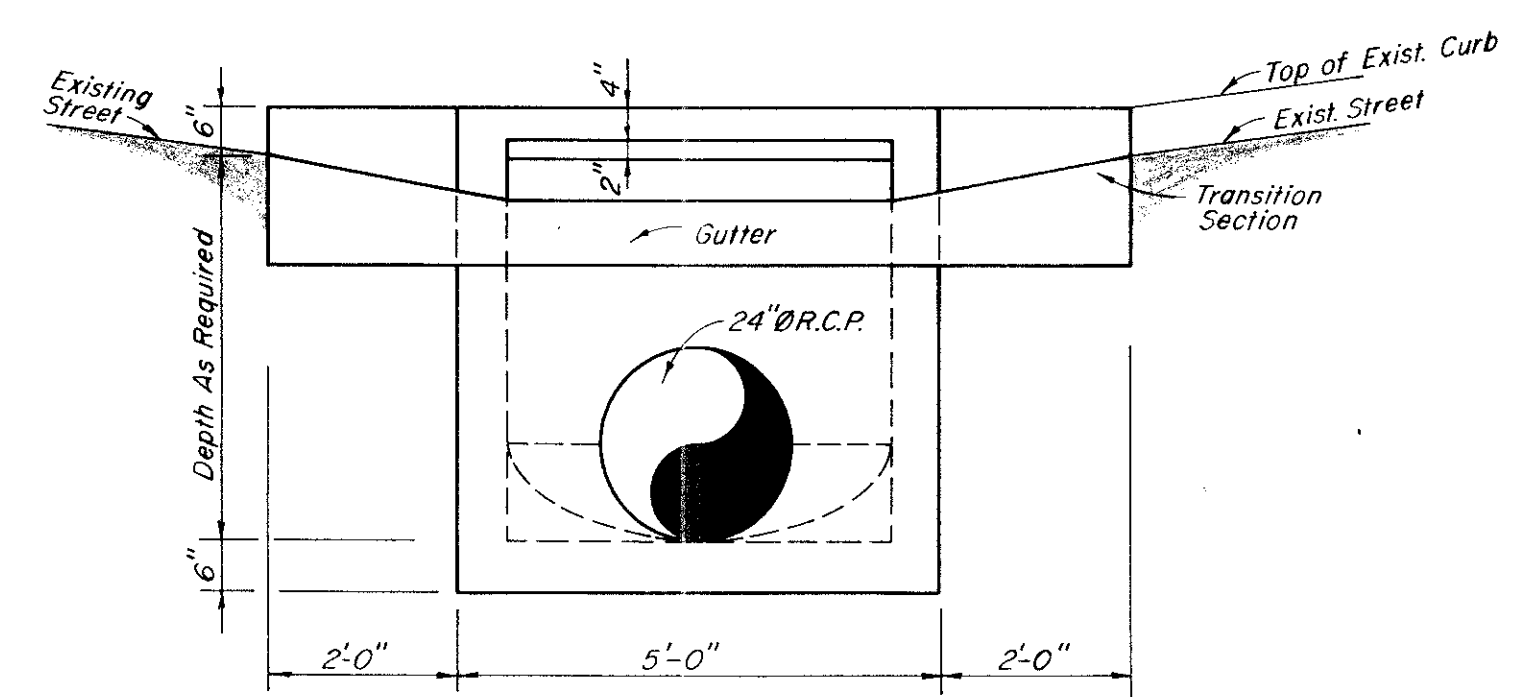
**PLAN**



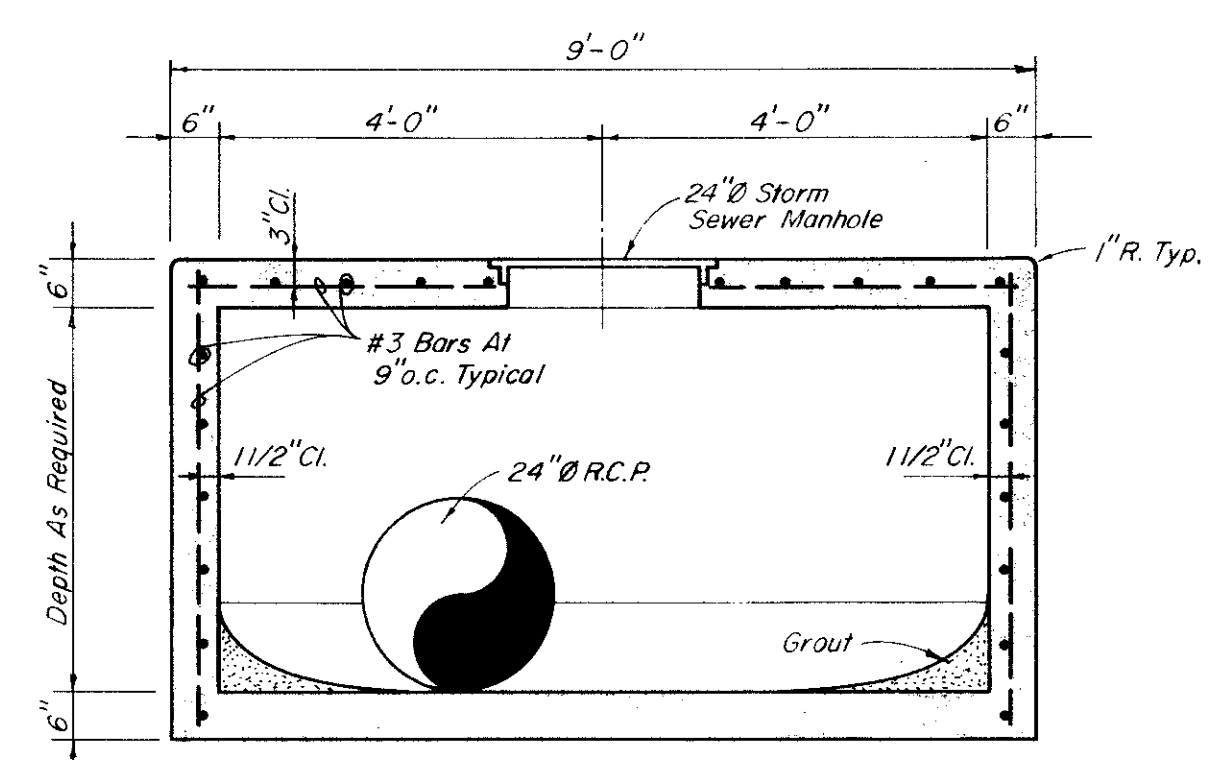
**ELEVATION**  
**STANDARD 8'-0" INLET**  
Scale: 1/2"=1'-0"



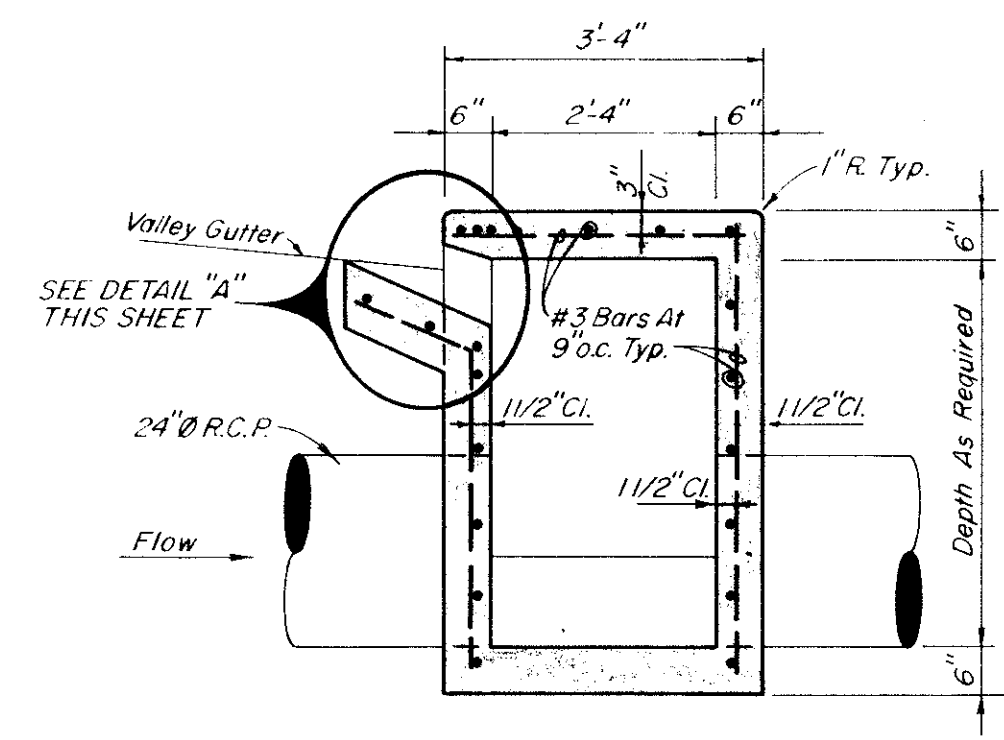
**PLAN**



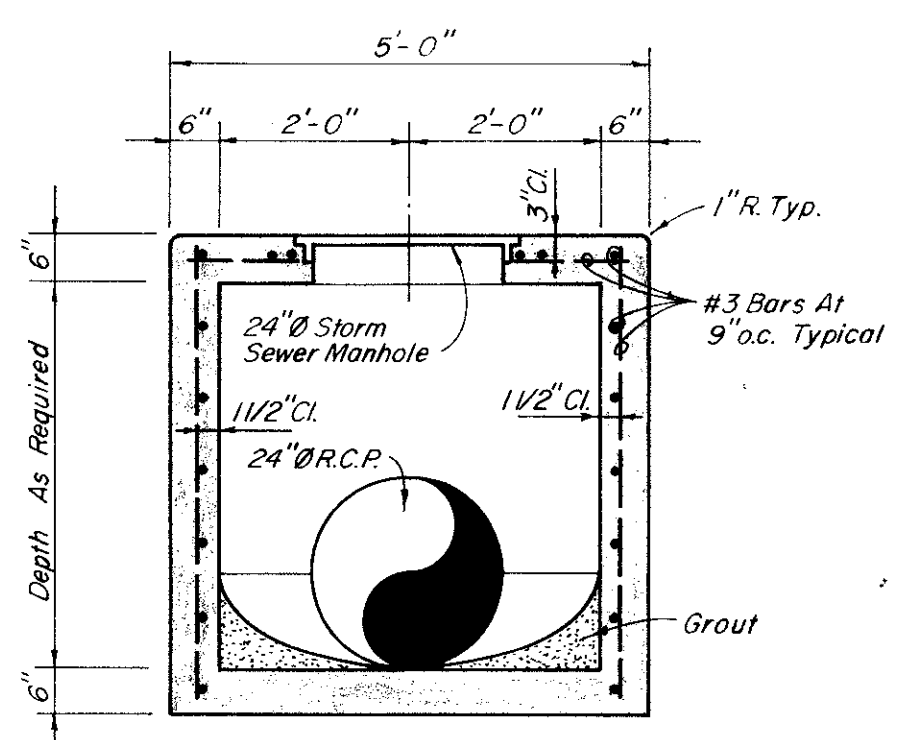
**ELEVATION**  
**STANDARD 4'-0" INLET**  
Scale: 1/2"=1'-0"



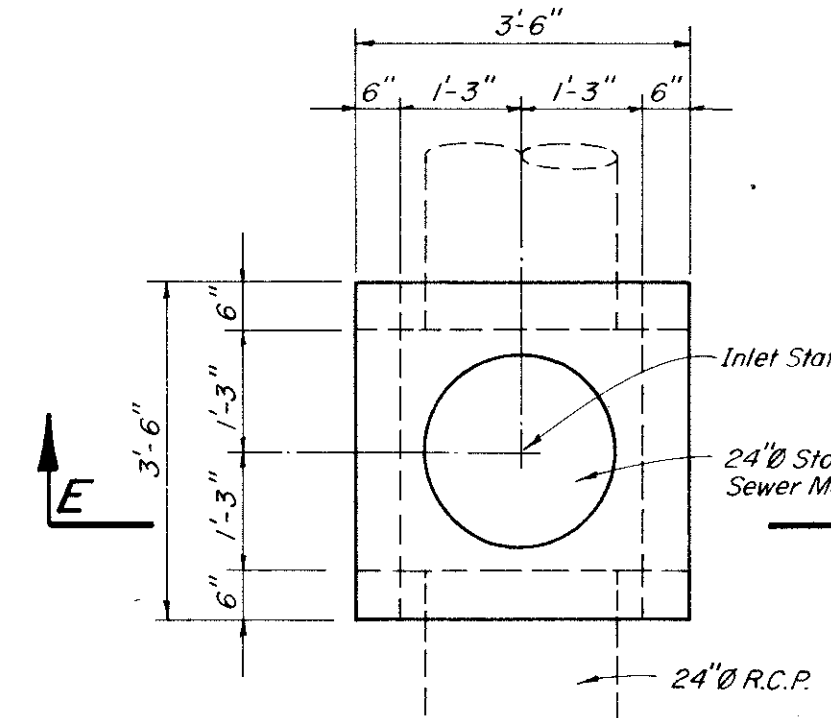
**SECTION "A-A"**  
Scale: 1/2"=1'-0"



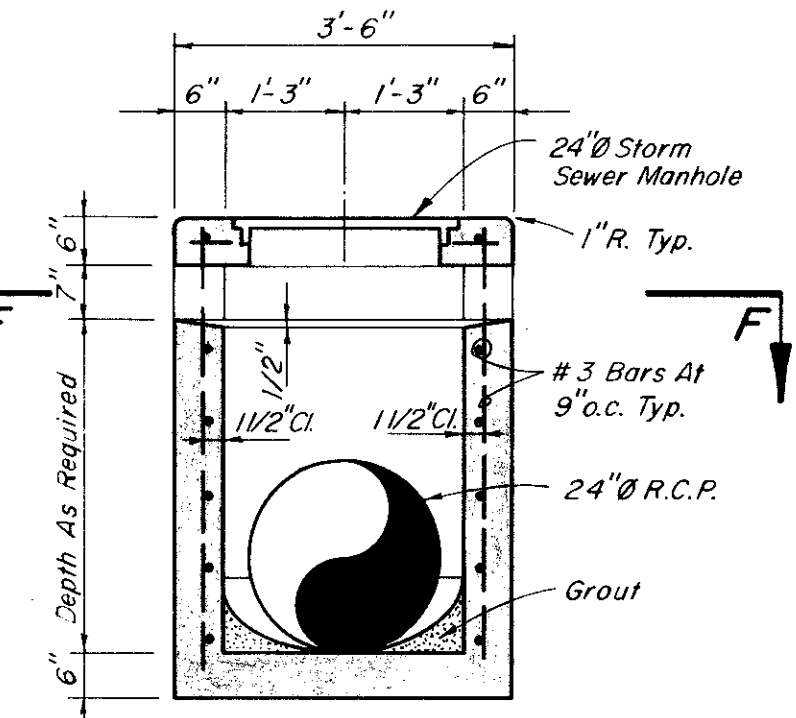
**SECTION "B-B"**  
Scale: 1/2"=1'-0"



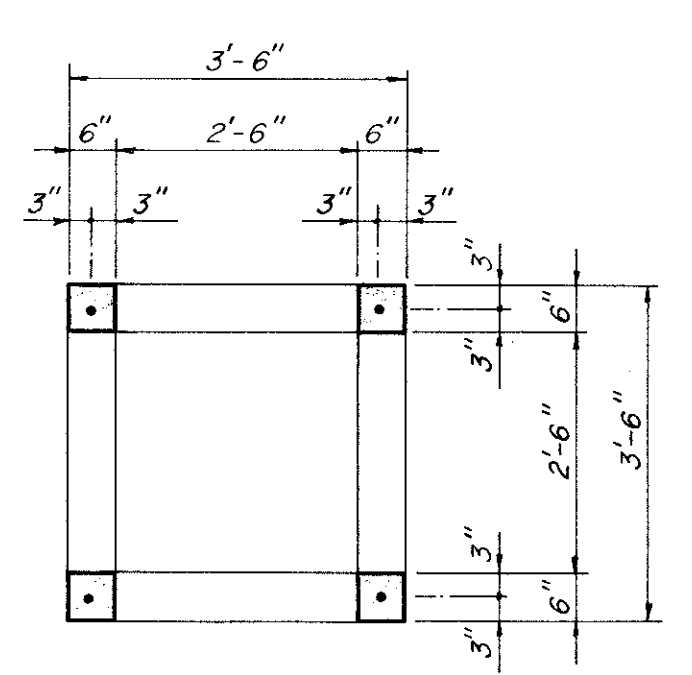
**SECTION "C-C"**  
Scale: 1/2"=1'-0"



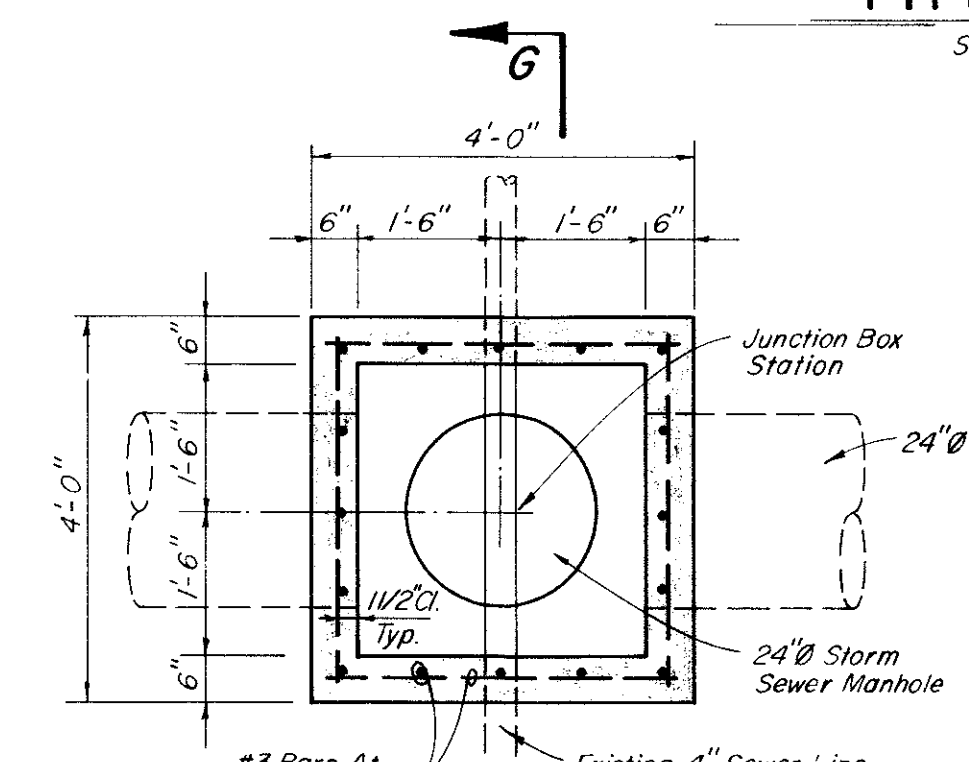
**PLAN**



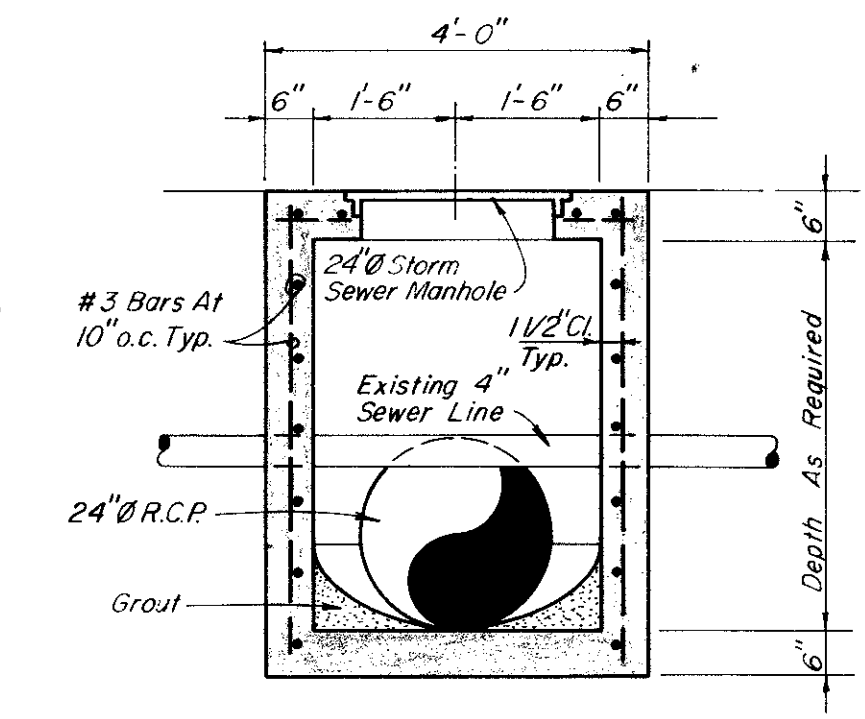
**SECTION "E-E"**  
**TYPE "Y" INLET**  
Scale: 1/2"=1'-0"



**SECTION "F-F"**

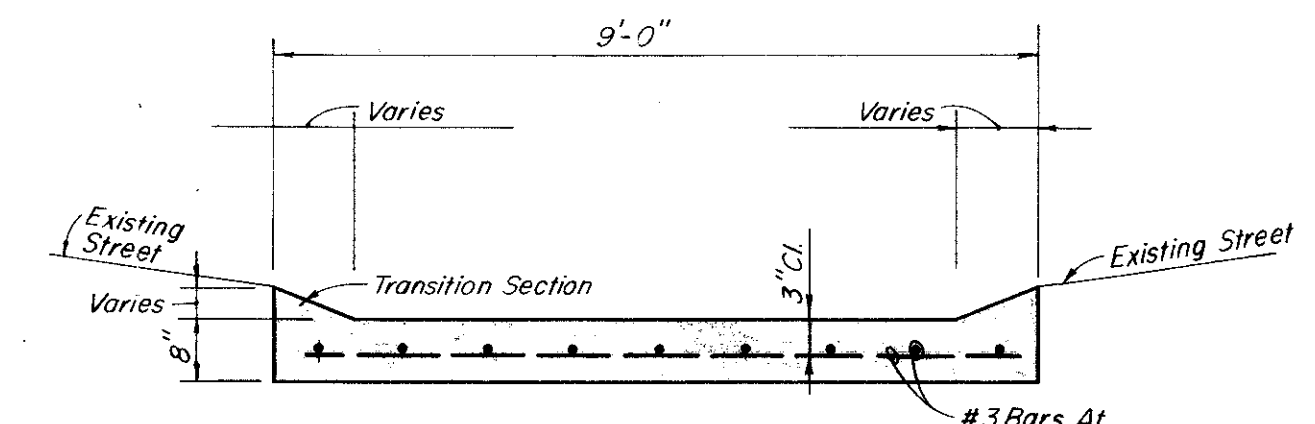


**PLAN**

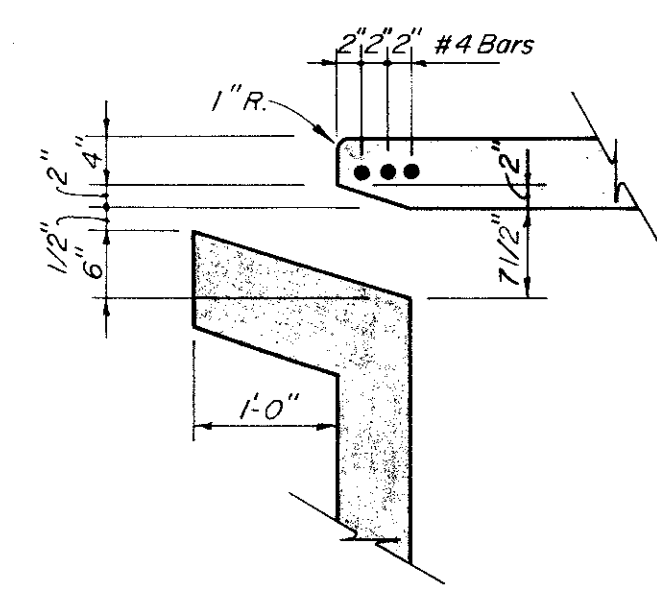


**SECTION "G-G"**

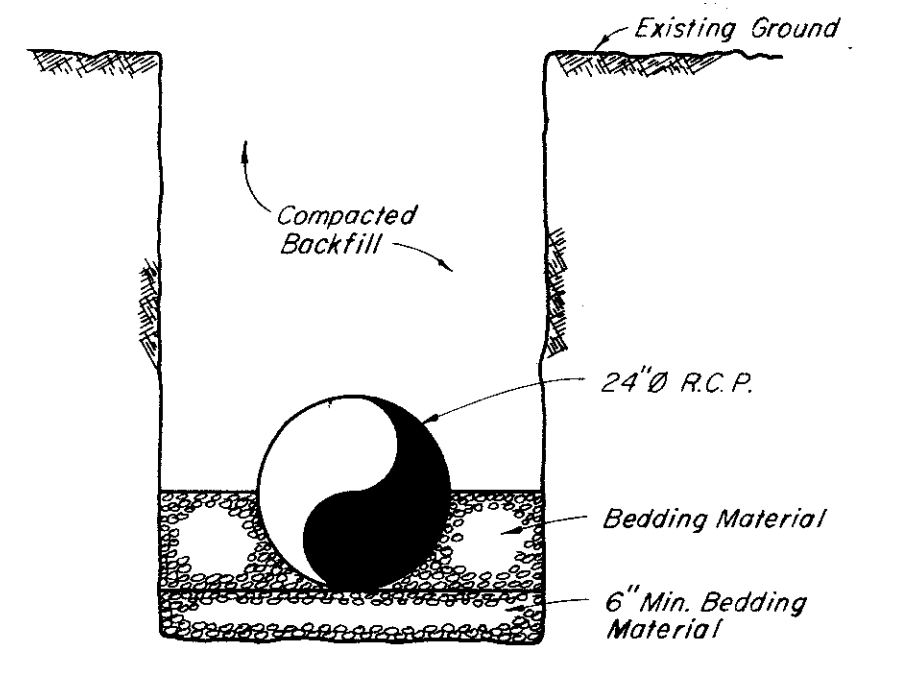
**JUNCTION BOX**  
Scale: 1/2"=1'-0"



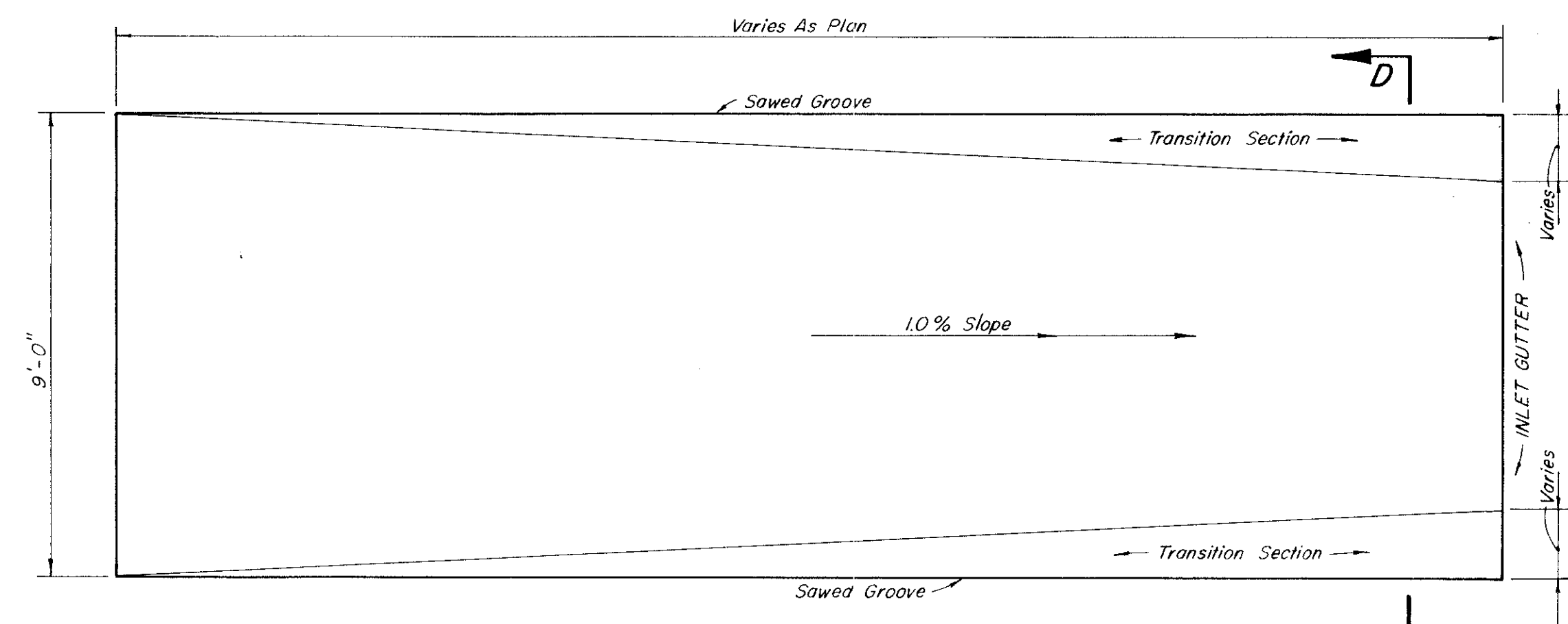
**SECTION "D-D"**  
No Scale



**DETAIL "A"**  
Scale: 3/4"=1'-0"



**TYPICAL BEDDING DETAIL**  
Scale: 1/2"=1'-0"



**VALLEY GUTTER DETAIL**  
No Scale



CITY OF ADDISON  
DALLAS COUNTY, TEXAS  
STORM SEWER IMPROVEMENTS

BELT LINE ROAD  
STORM SEWER DETAILS

GINN & STACY, INC.  
CONSULTING ENGINEERS - DALLAS, TEXAS

Designed By: H.W.G. Scale: As Shown  
Drawn By: J.D.M. Date: 1977

Sheet 4 of 4