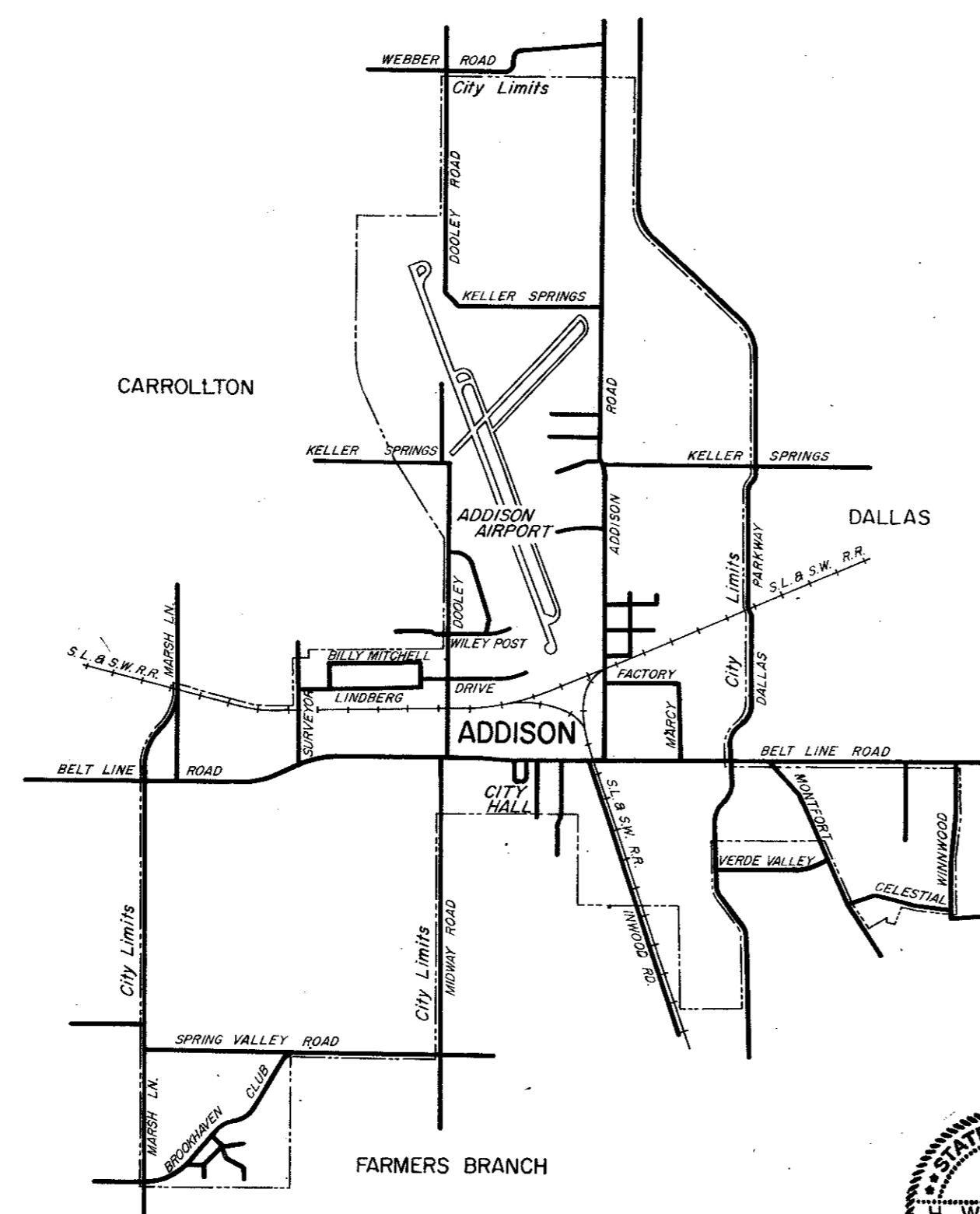


# CITY OF ADDISON DALLAS COUNTY, TEXAS

## CONSTRUCTION PLANS FOR: WATER PUMP STATION AND WATER MAINS

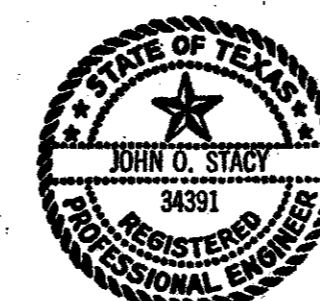


**JERRY J. REDDING - MAYOR**  
**COUNCILMEN:**

**JOHN B. ALLEN**  
**RICHARD RODER**  
**WILLIAM F. SELLMAYER**  
**A. E. MARCY**  
**TERRY ROBERTS**

**J. MILLIGAN Act - CITY ADMINISTRATOR**

**GINN & STACY, INC.**  
CONSULTING ENGINEERS  
DALLAS, TEXAS  
1977

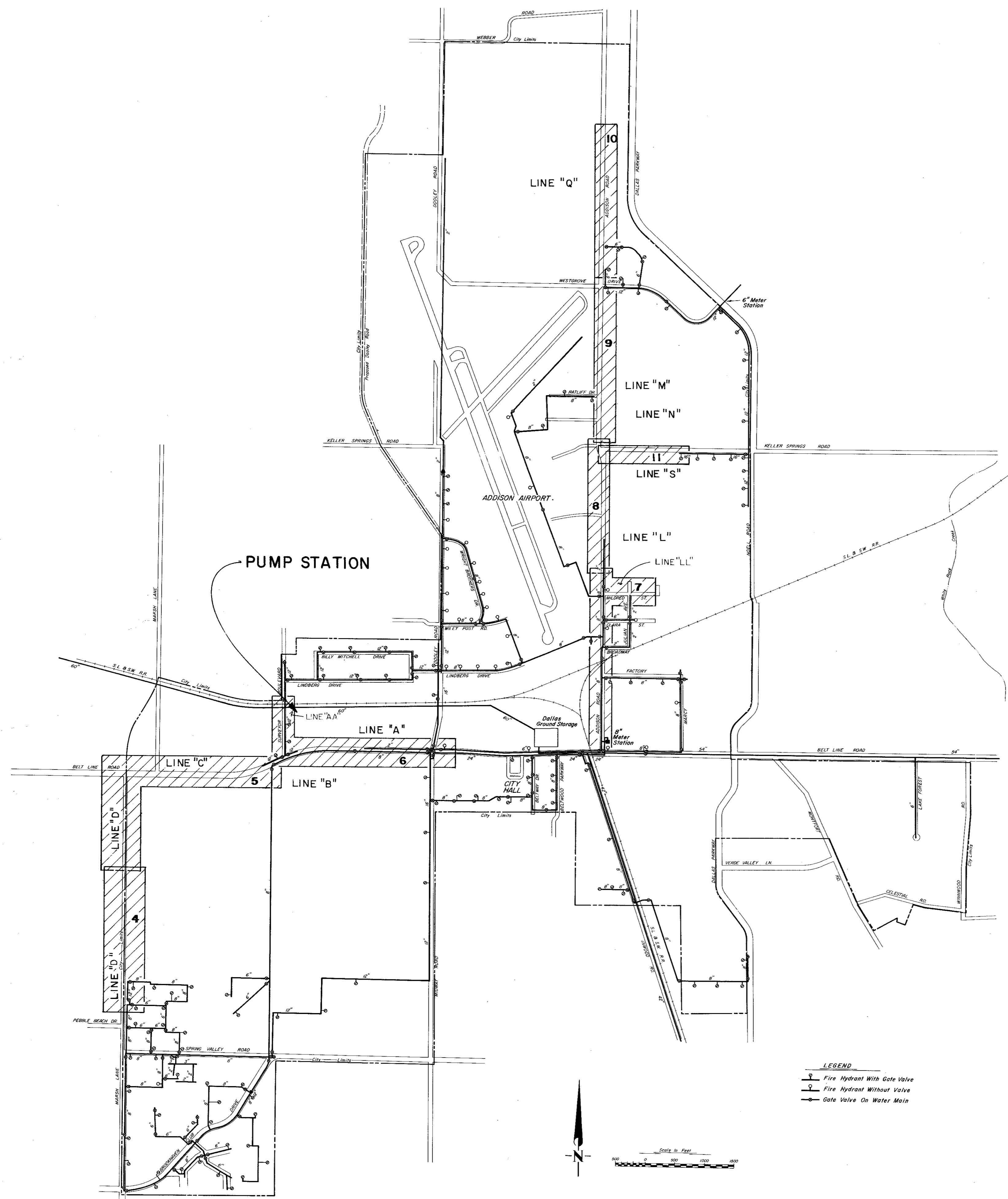


SUMMARY OF QUANTITIES			
ITEM NO.	DESCRIPTION	QUANTITY	UNIT
1	24" DIA. WATER LINE	10,000	LF
2	20" DIA. WATER LINE	6,000	LF
3	16" DIA. WATER LINE	9,000	LF
4	12" DIA. WATER LINE	100	LF
5	10" DIA. WATER LINE	100	LF
6	8" DIA. WATER LINE	100	LF
7	24" VALVES	10	EA
8	20" VALVES	6	EA
9	16" VALVES	9	EA
10	8" VALVES	8	EA
11	6" VALVES	25	EA
12	AIR RELEASE VALVES	2	EA
13	FIRE HYDRANTS	20	EA
14	TIE-IN TO EXIST. WATER LINE	13	EA
15	ROAD BORING NO. 1	40'	LS
16	ROAD BORING NO. 2	100'	LS
17	ROAD BORING NO. 3	120'	LS
18	1" OR 3/4" SERVICE LINES W/CURB STOP	750	LF
19	PUMP STATION	—	LS
20	LANDSCAPE	—	LS
21	SPRINKLER SYSTEM	—	LS
22	MISC. CONCRETE	10	CY
23	12" VALVES	1	EA
24	ROAD BORING NO. 4	30'	LS

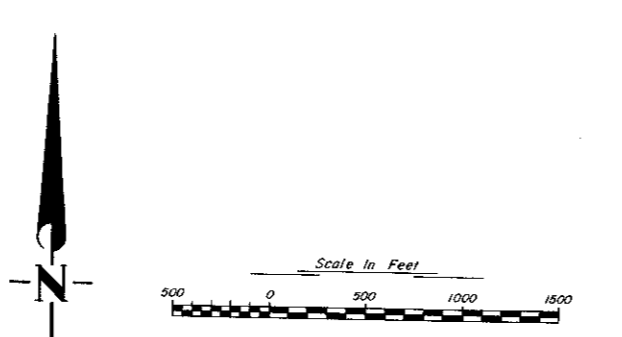
INDEX TO DRAWINGS	
TITLE	SHT. NO.
COVER	1
QUANTITIES & INDEX	2
SHEET INDEX	3
LINE D	4
LINE D & C	5
LINE B, A & AA	6
LINE L & LL	7
LINE L	8
LINE N & M	9
LINE Q	10
LINE S	11
SITE LAYOUT	12
YARD PIPING	13
PUMP STATION PIPING PLAN	14
PUMP STATION FLOOR PLAN	15
PUMP STATION ELEVATIONS	16
WALL SECTIONS	17
FOUNDATION PLAN & DETAILS	18
ROOF FRAMING PLAN	19
LANDSCAPE PLAN	20
ELECTRICAL	21
ELECTRICAL	22
ELECTRICAL	23
ELECTRICAL	24



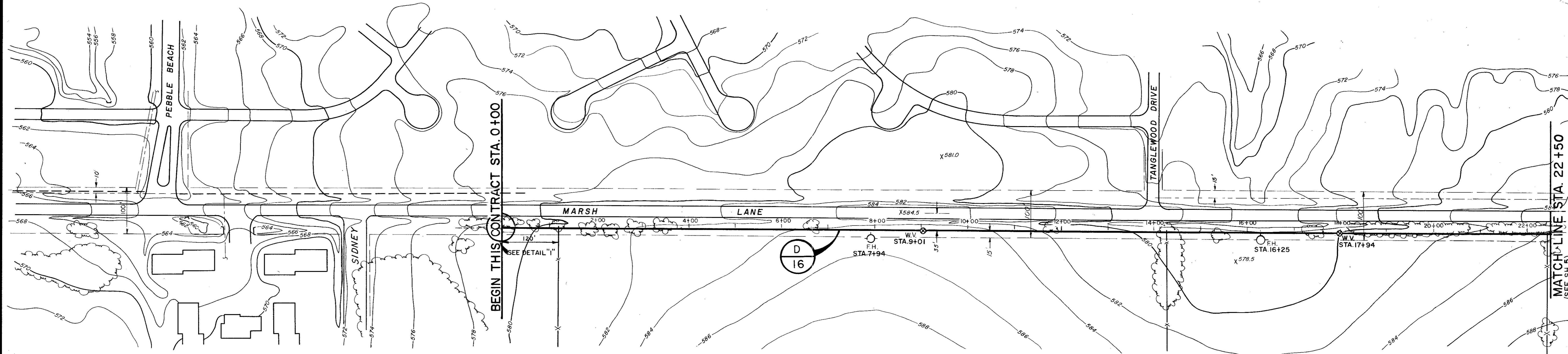
CITY OF ADDISON DALLAS COUNTY, TEXAS	
WATER PUMP STATION AND WATER MAINS	
QUANTITIES & INDEX	
GINN & STACY, INC. CONSULTING ENGINEERS — DALLAS, TEXAS	
DESIGNED BY: HWG	SCALE: _____
DRAWN BY: JOS	DATE: SEPT 77



**LEGEND**  
 ◻ Fire Hydrant With Gate Valve  
 ○ Fire Hydrant Without Valve  
 — Gate Valve On Water Main

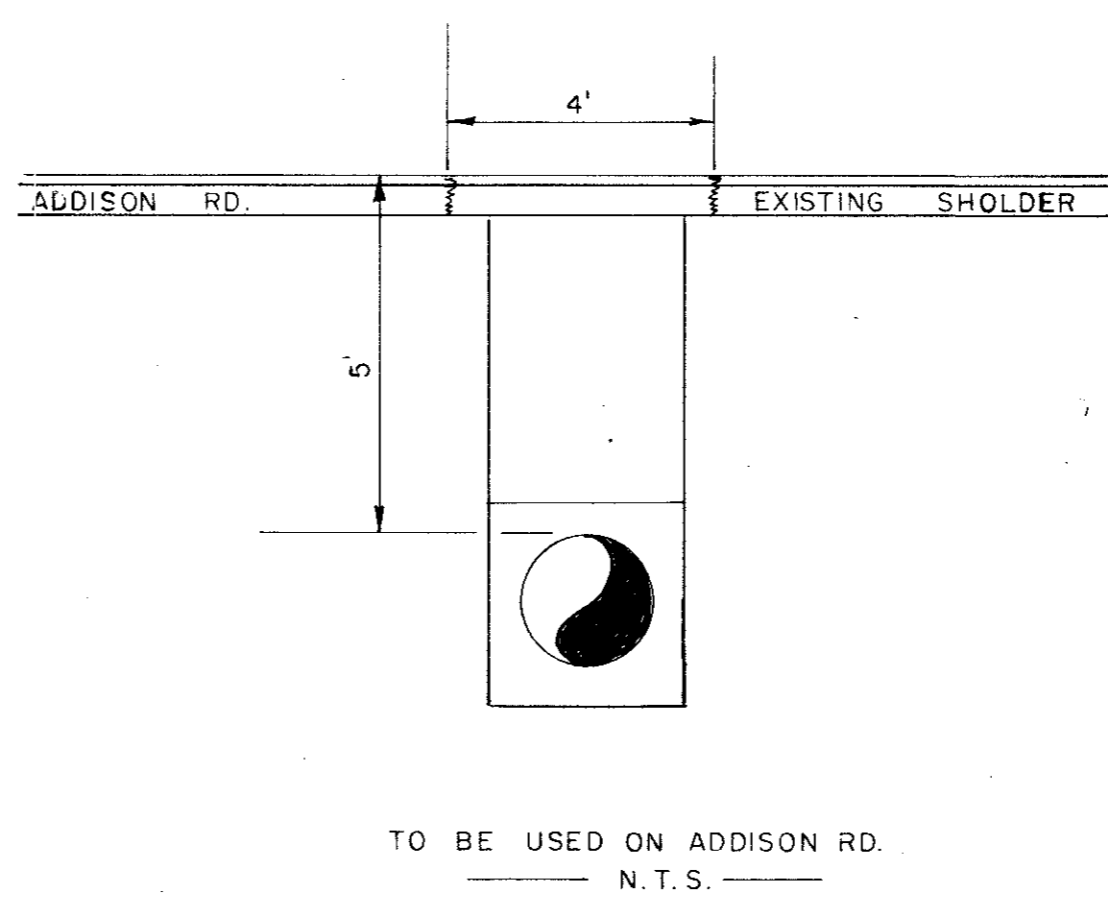
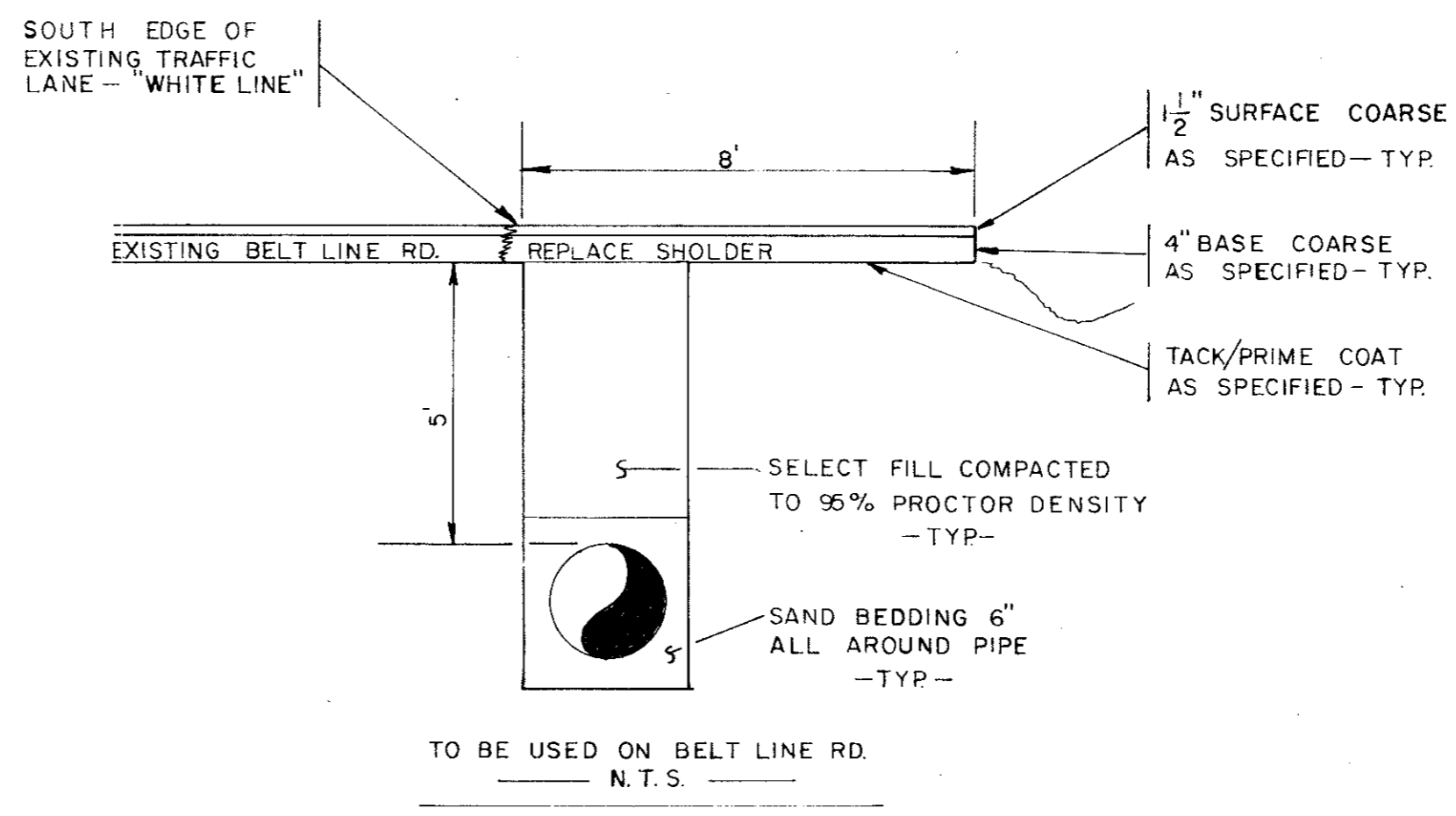


CITY OF ADDISON DALLAS COUNTY, TEXAS	
WATER PUMP STATION AND WATER MAINS	
<b>SHEET INDEX</b>	
GINN & STACY, INC. CONSULTING ENGINEERS — DALLAS, TEXAS	
DESIGNED BY: HWG	SCALE: _____
DRAWN BY: JOS	DATE: SEPT 77
Sheet 3 of 11	

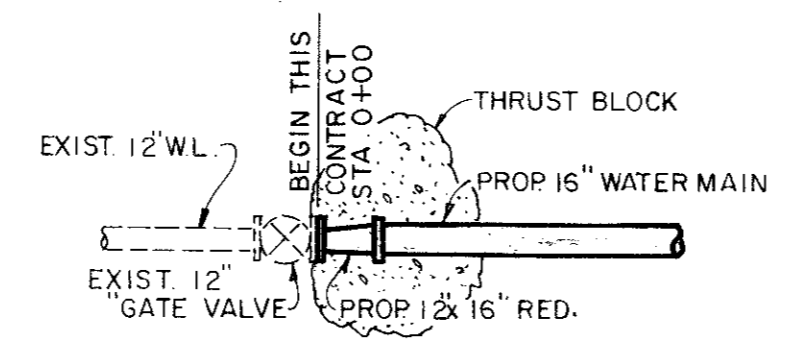


BEGIN THIS CONTRACT STA. 0+00

MATCH LINE STA. 22+50  
(SEE SHEET 5)

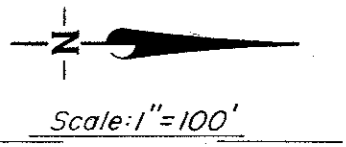


ASPHALT AND BEDDING DETAIL



DETAIL "I"

N.T.S.  
NOTE: 27' C.I. TIE IN

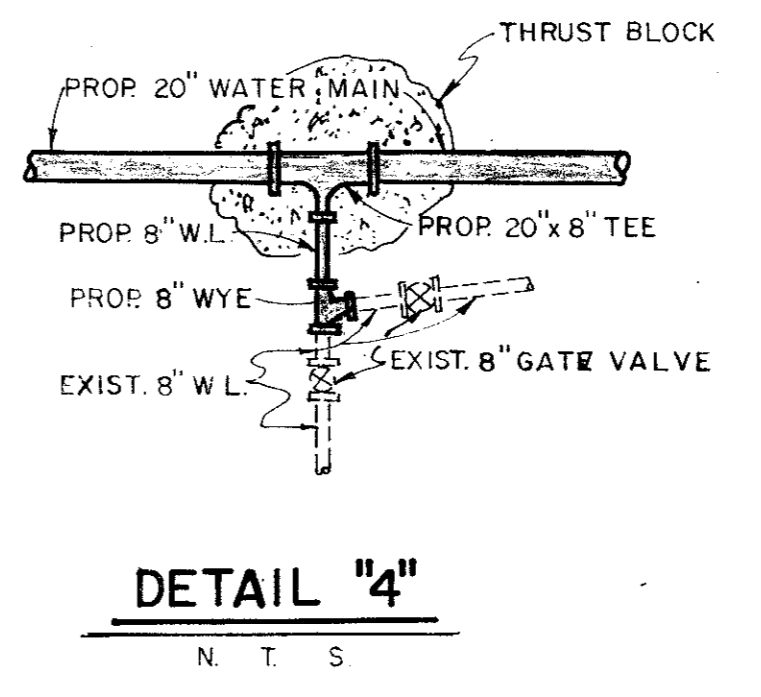
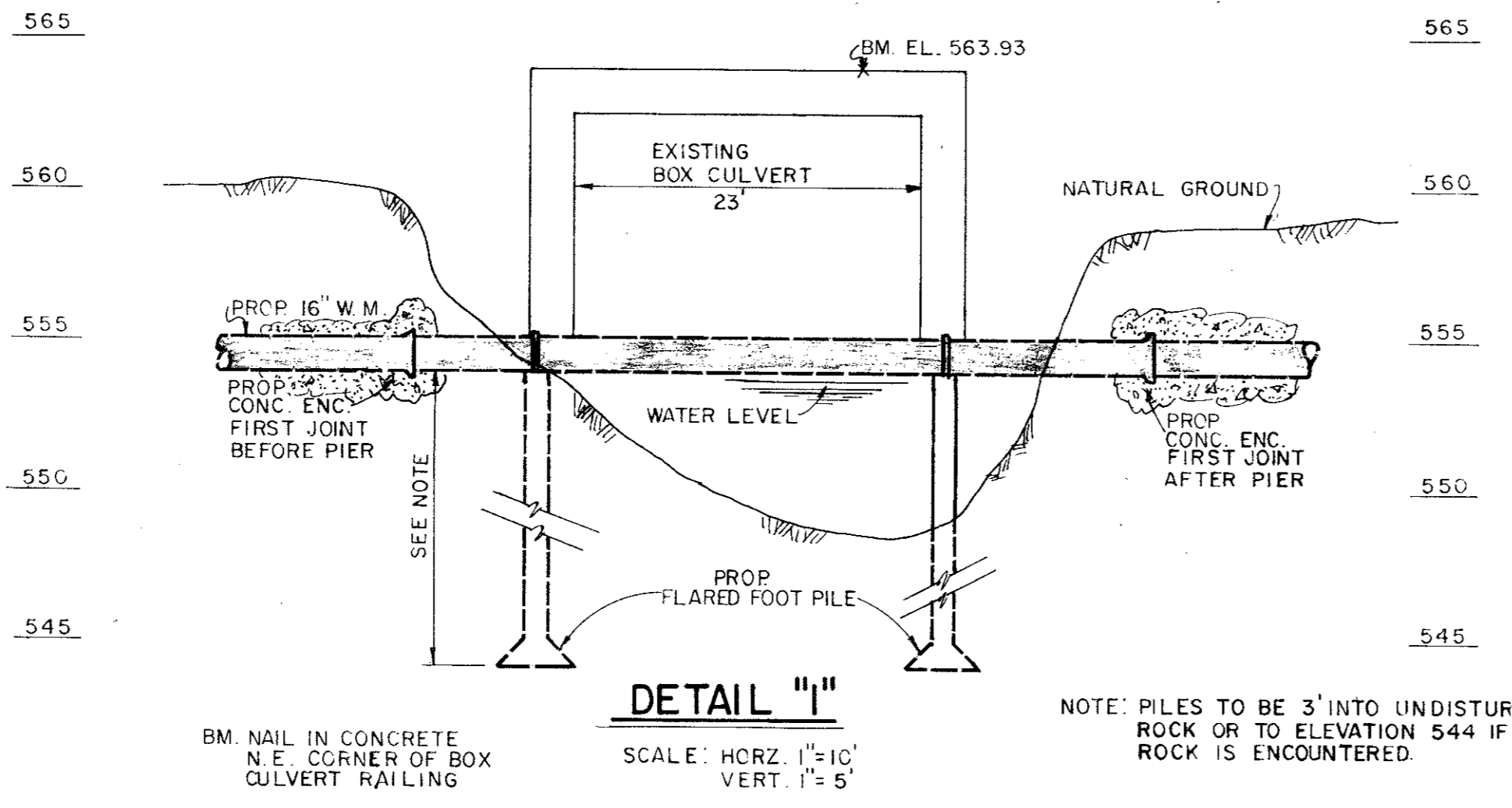
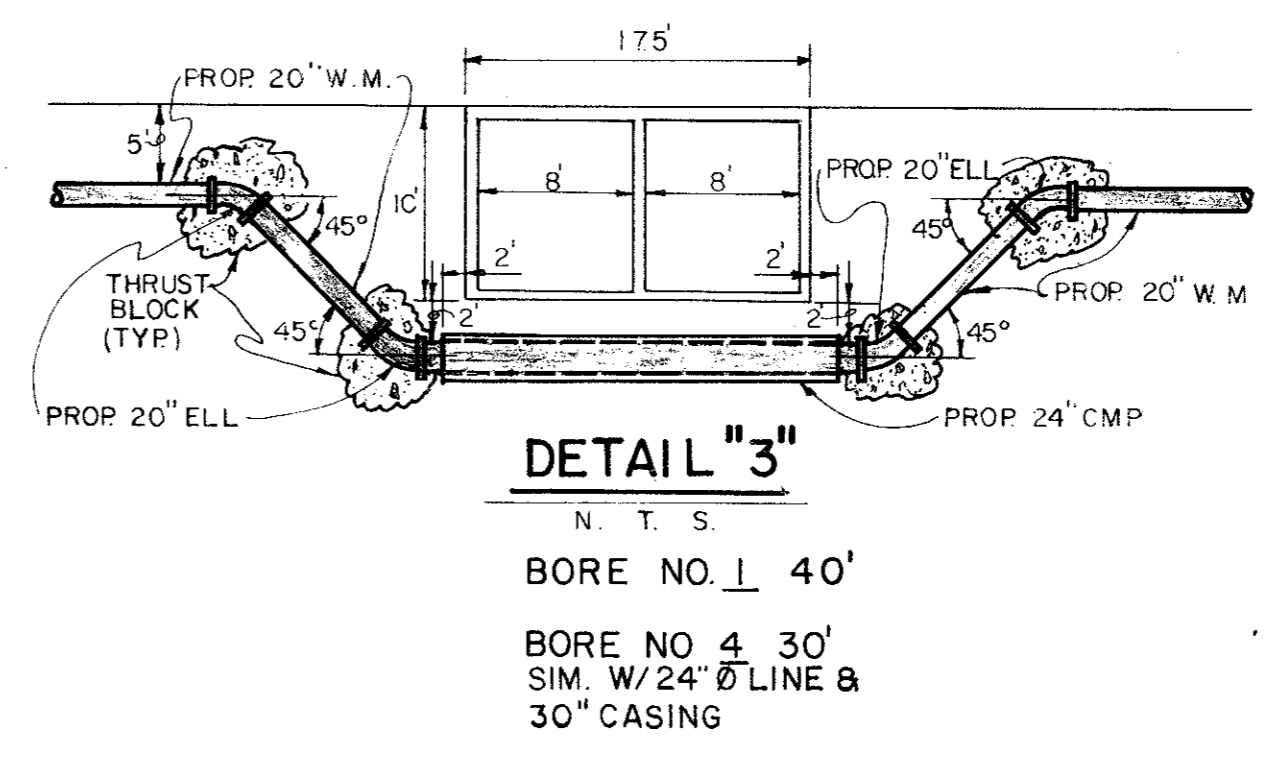
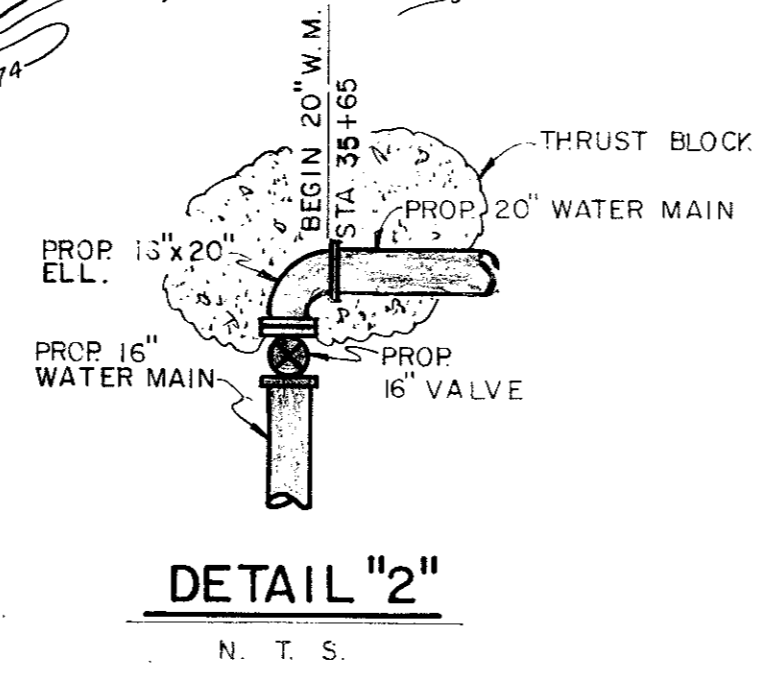
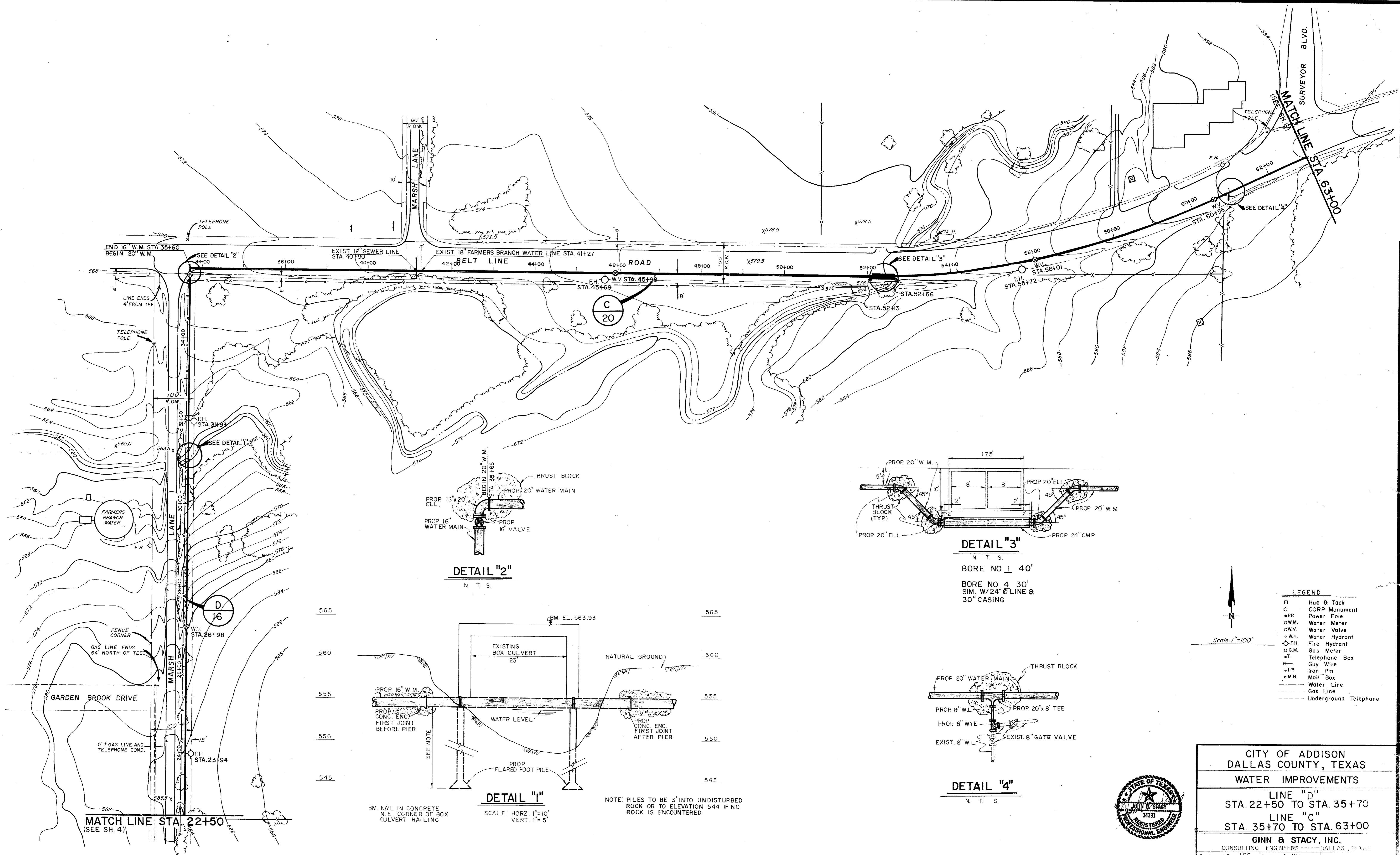


- LEGEND**
- Hub & Tack
  - CORP. Monument
  - PP Power Pole
  - W.M. Water Meter
  - W.V. Water Valve
  - W.H. Water Hydrant
  - F.H. Fire Hydrant
  - G.M. Gas Meter
  - T. Telephone Box
  - Guy Wire
  - I.P. Iron Pin
  - M.B. Mail Box
  - Water Line
  - Gas Line
  - Underground Telephone



CITY OF ADDISON  
DALLAS COUNTY, TEXAS  
WATER IMPROVEMENTS  
LINE "D"  
STA. 0+00 TO STA. 22+50

**GINN & STACY, INC.**  
CONSULTING ENGINEERS DALLAS, TEXAS  
Designed By: J.O.S. Scale: As Shown  
Drawn By: G.L.H. Date: 1977 Sheet 4 of 24



Scale: 1"=100'

N

LEGEND	
⊠	Hub & Tack
○	CORP Monument
●	Power Pole
○	Water Meter
○	Water Valve
○	Water Hydrant
○	Gas Meter
○	Telephone Box
○	Guy Wire
○	Iron Pin
○	Mail Box
○	Water Line
○	Gas Line
○	Underground Telephone

CITY OF ADDISON  
DALLAS COUNTY, TEXAS

WATER IMPROVEMENTS

LINE "D"  
STA. 22+50 TO STA. 35+70

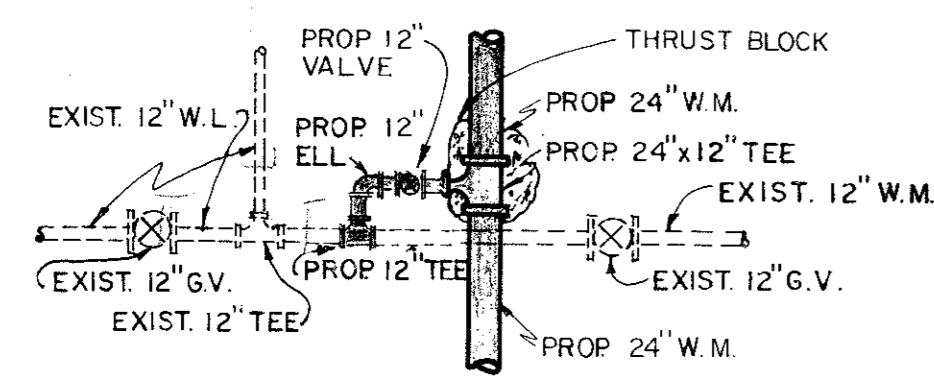
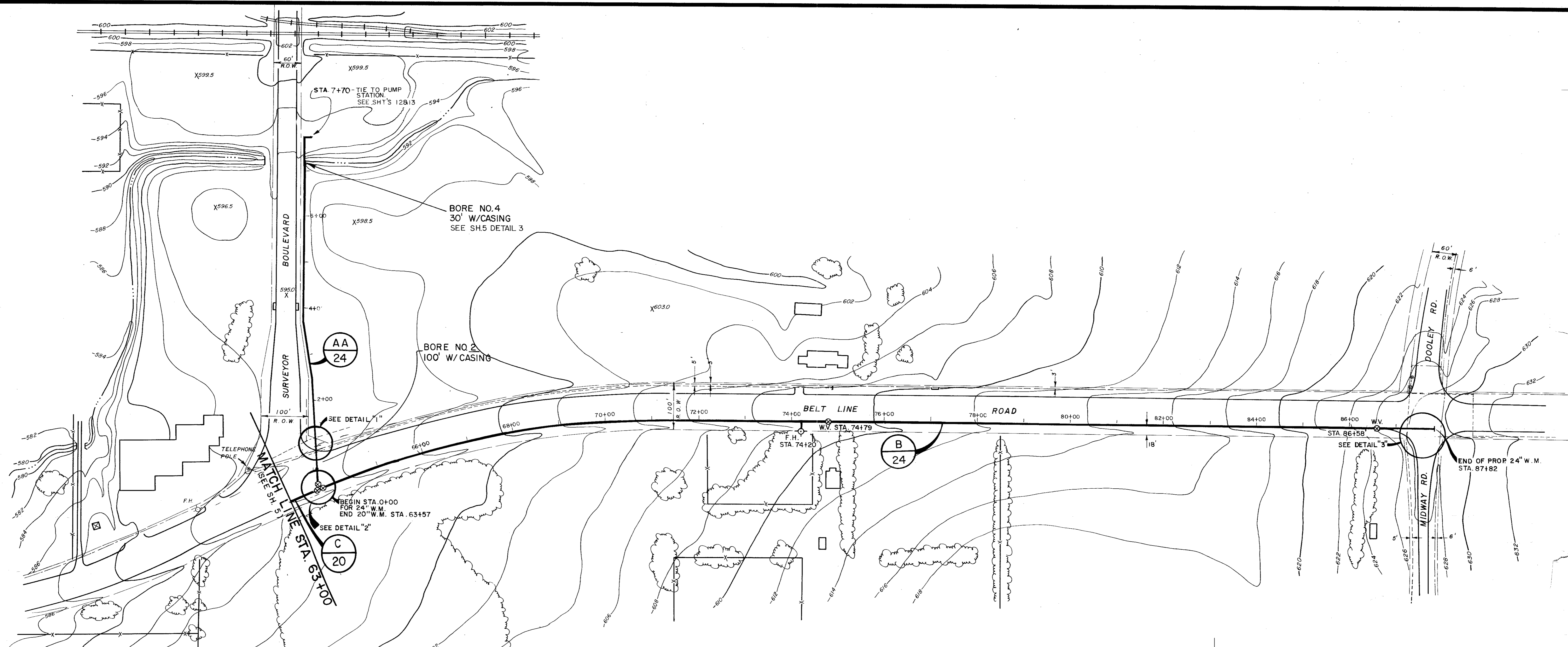
LINE "C"  
STA. 35+70 TO STA. 63+00

GINN & STACY, INC.  
CONSULTING ENGINEERS - DALLAS, TEXAS

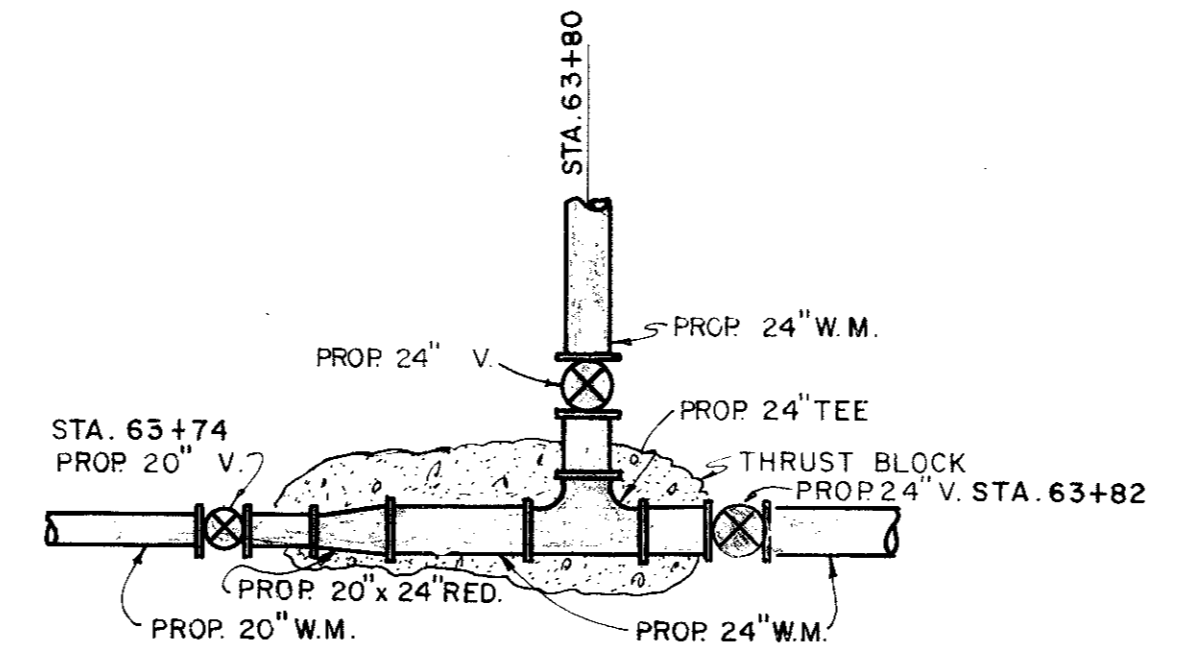
Designed By: J.O.S. Scale: As Shown  
Drawn By: G.L.H. Date: 1977

Sheet 5 of 5

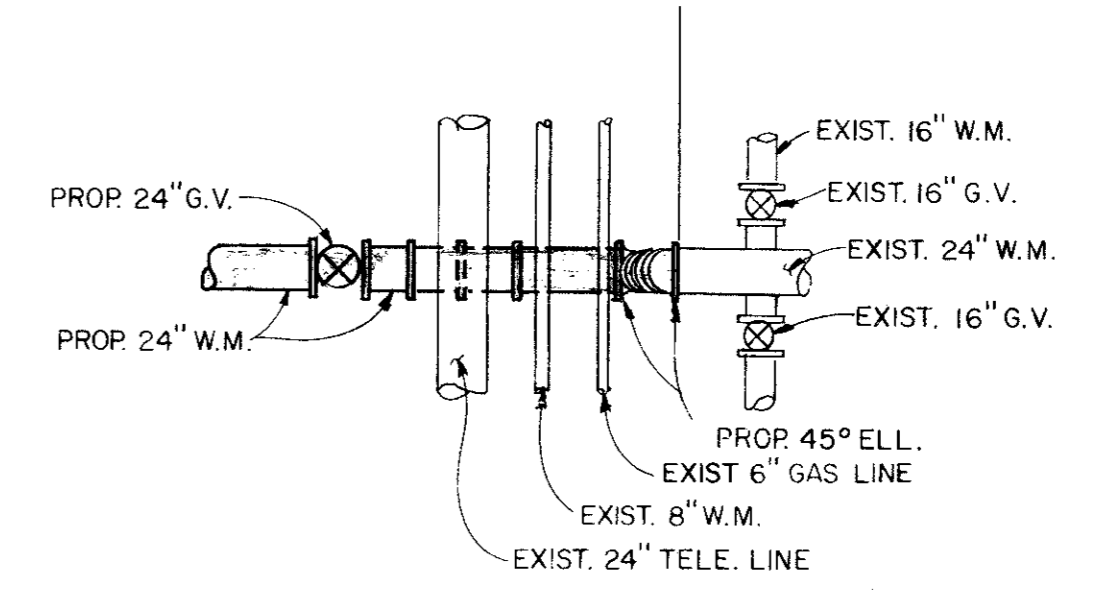




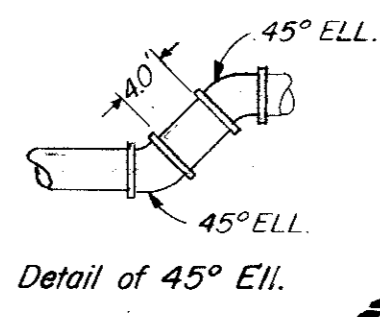
**DETAIL "1"**  
N. T. S.



**DETAIL "2"**  
N. T. S.

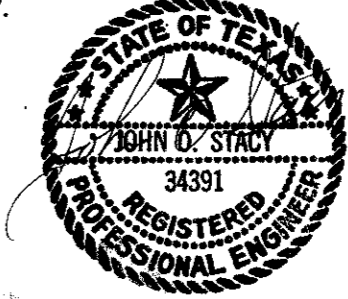


**DETAIL "3"**  
N.T.S.



Detail of 45° Ell.

- Scale: 1" = 100'
- LEGEND**
- Hub & Tack
  - CORP Monument
  - Power Pole
  - W.M. Water Meter
  - W.V. Water Valve
  - W.H. Water Hydrant
  - F.H. Fire Hydrant
  - G.M. Gas Meter
  - T. Telephone Box
  - Guy Wire
  - Iron Pin
  - M.B. Mail Box
  - Water Line
  - Gas Line
  - - - - - Underground Telephone



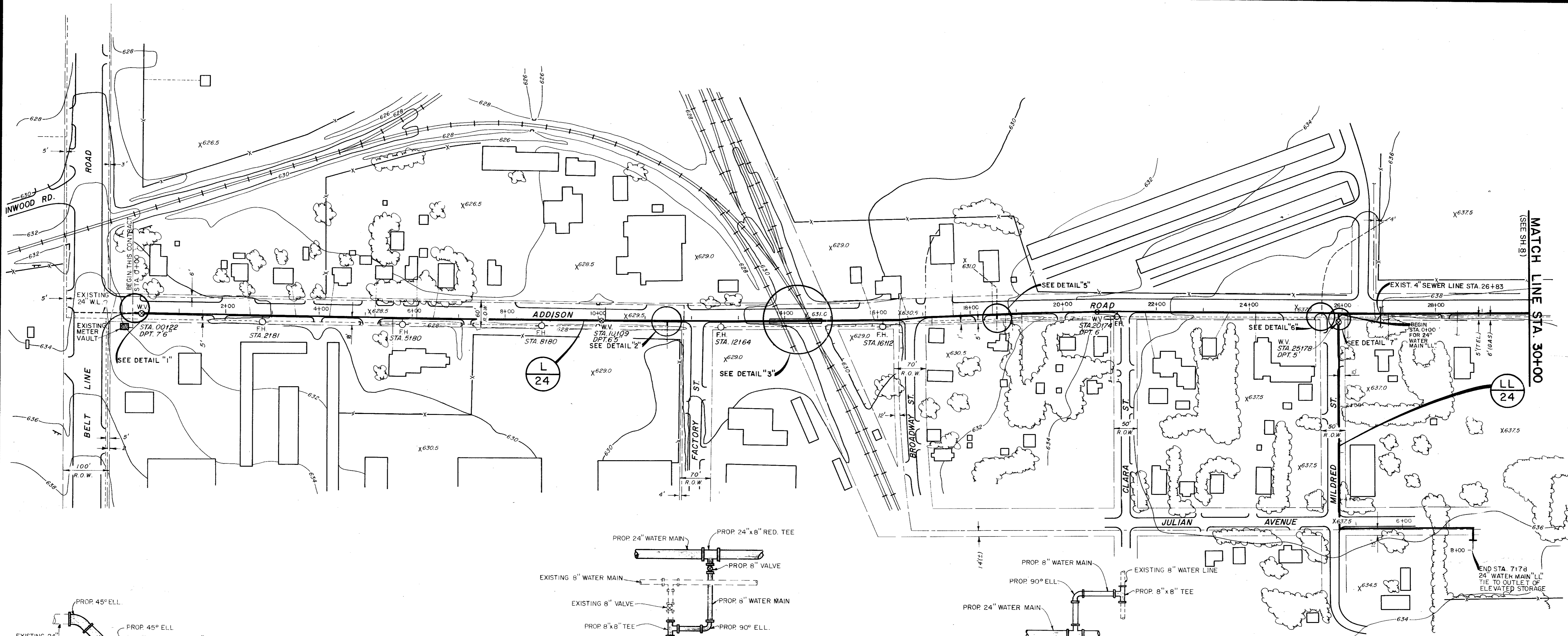
**CITY OF ADDISON  
DALLAS COUNTY, TEXAS  
WATER IMPROVEMENTS**

LINE "B" - STA. 63+40 TO STA. 87+80  
 LINE "C" - STA. 63+00 TO STA. 63+40  
 LINE "AA" - STA. 0+00 TO STA. 7+70

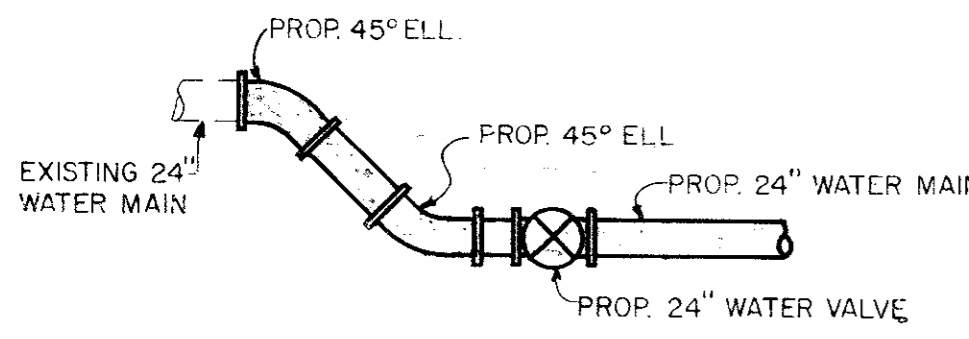
**GINN & STACY, INC.**  
 CONSULTING ENGINEERS - DALLAS, TEXAS

Designed By: J. O. S. Scale: As Shown  
 Drawn By: G. L. H. Date: 1977

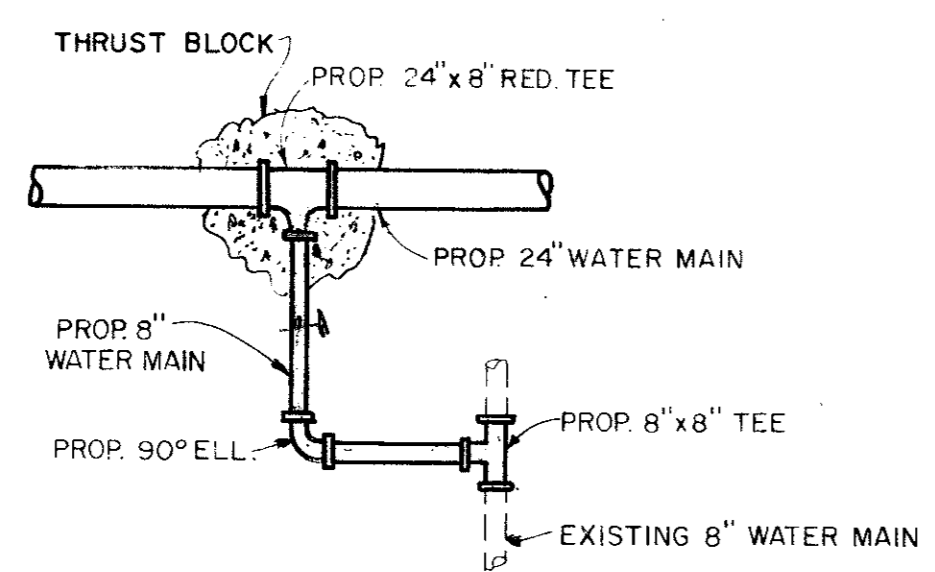
Sheet 6



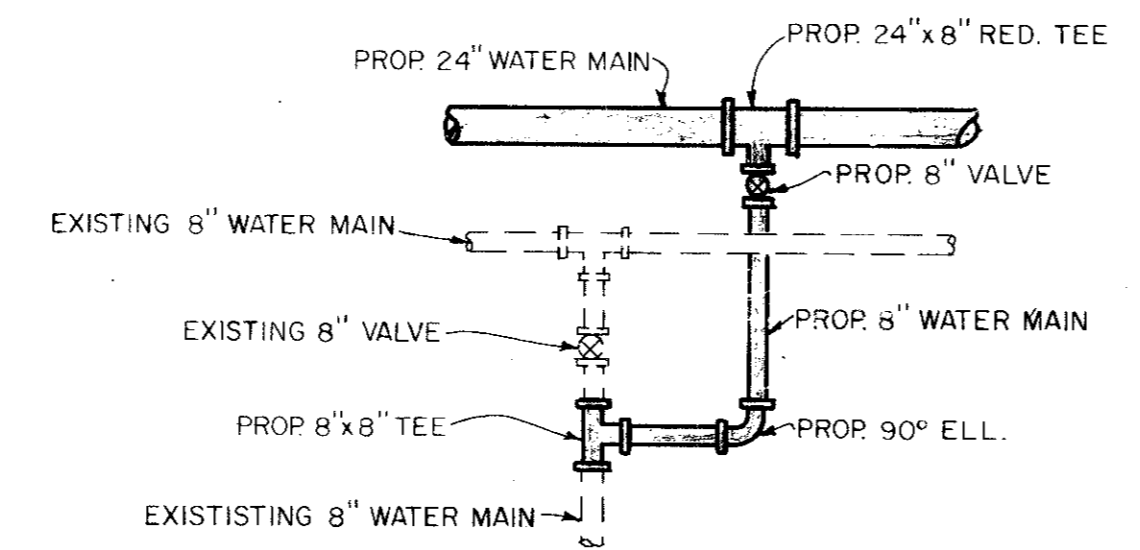
MATCH LINE STA. 30+00  
(SEE SH 8)



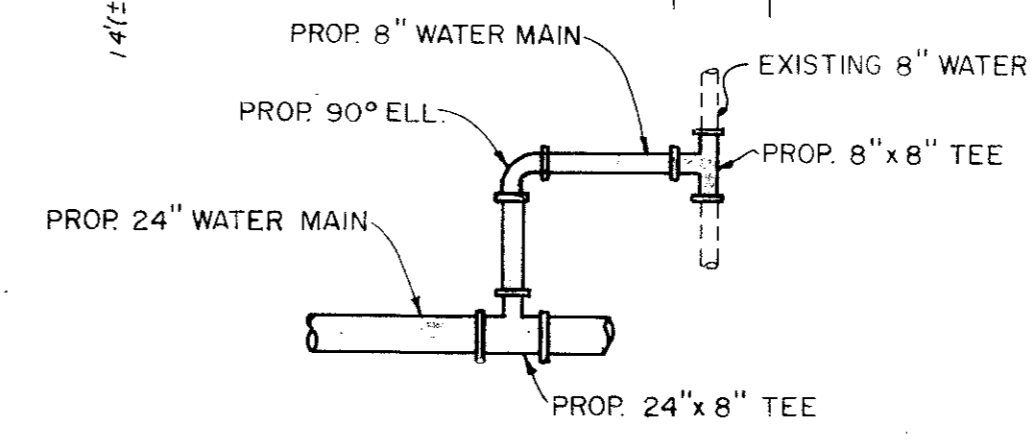
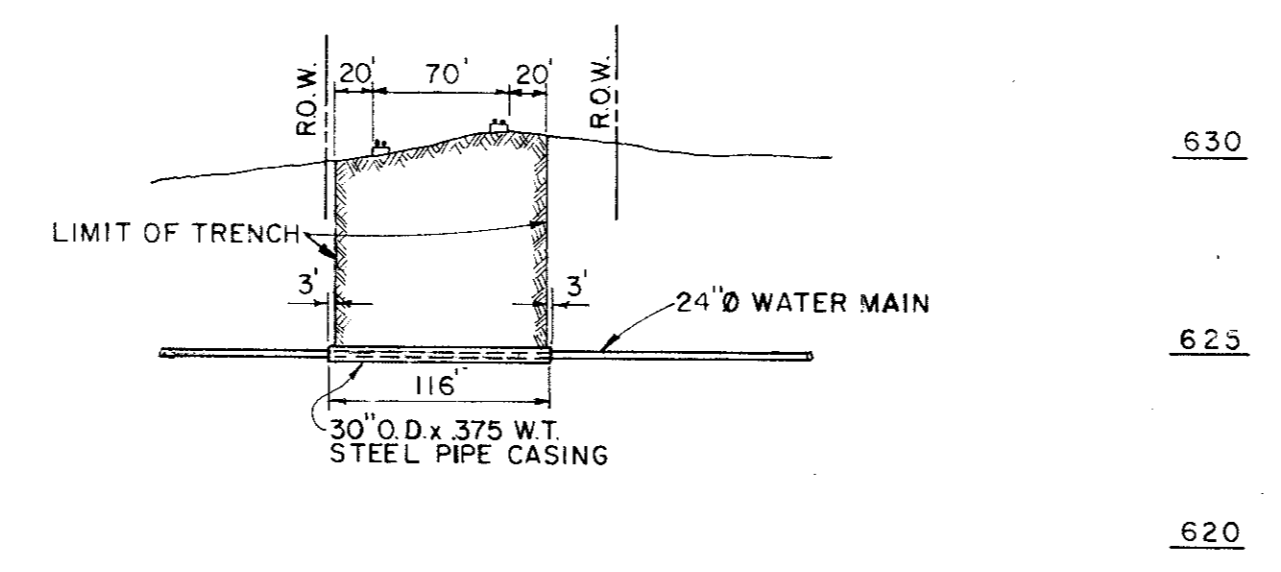
**DETAIL "1"**  
N.T.S.



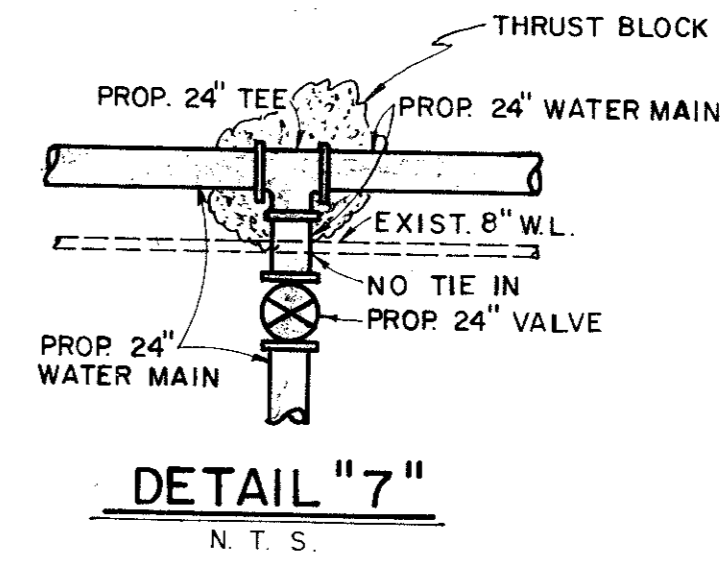
**DETAIL "2"**  
N.T.S.



**DETAIL "3"**  
N.T.S.  
BORE NO. 3  
120'

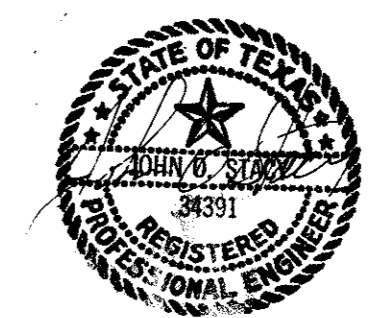
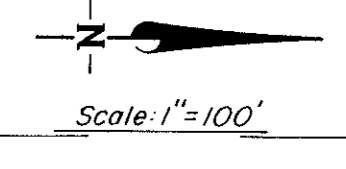


**DETAIL "6"**  
N.T.S.



**DETAIL "7"**  
N.T.S.

- LEGEND**
- Hub & Tack
  - CORP Monument
  - PP Power Pole
  - W.M. Water Meter
  - W.V. Water Valve
  - W.H. Water Hydrant
  - F.H. Fire Hydrant
  - G.M. Gas Meter
  - T Telephone Box
  - Guy Wire
  - I.P. Iron Pin
  - M.B. Mail Box
  - Water Line
  - Gas Line
  - - - Underground Telephone



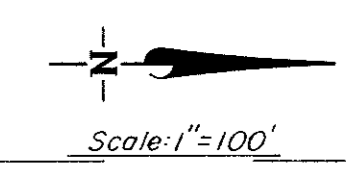
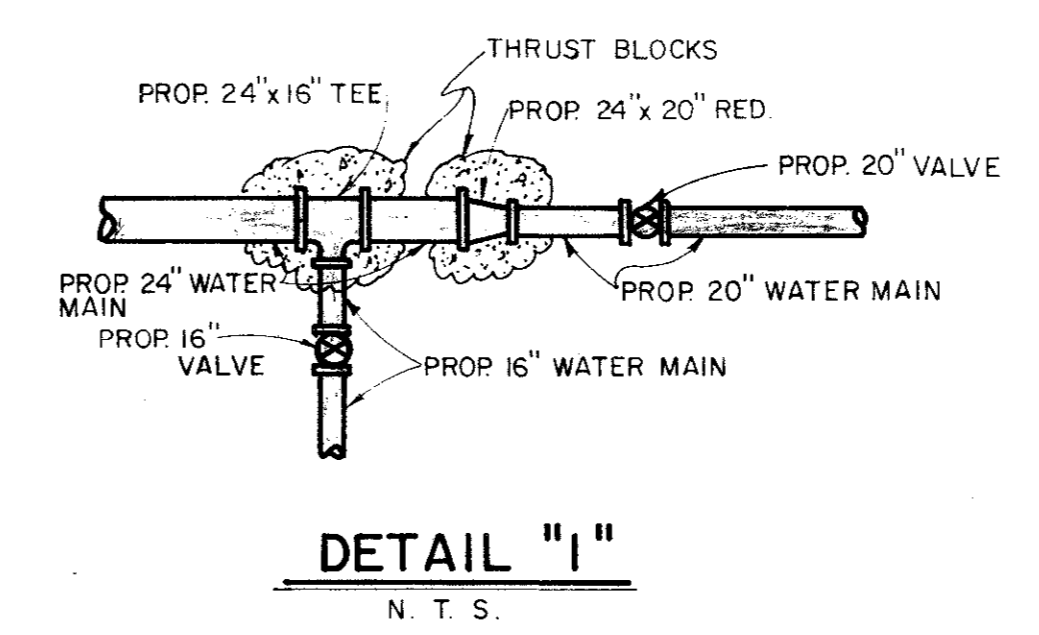
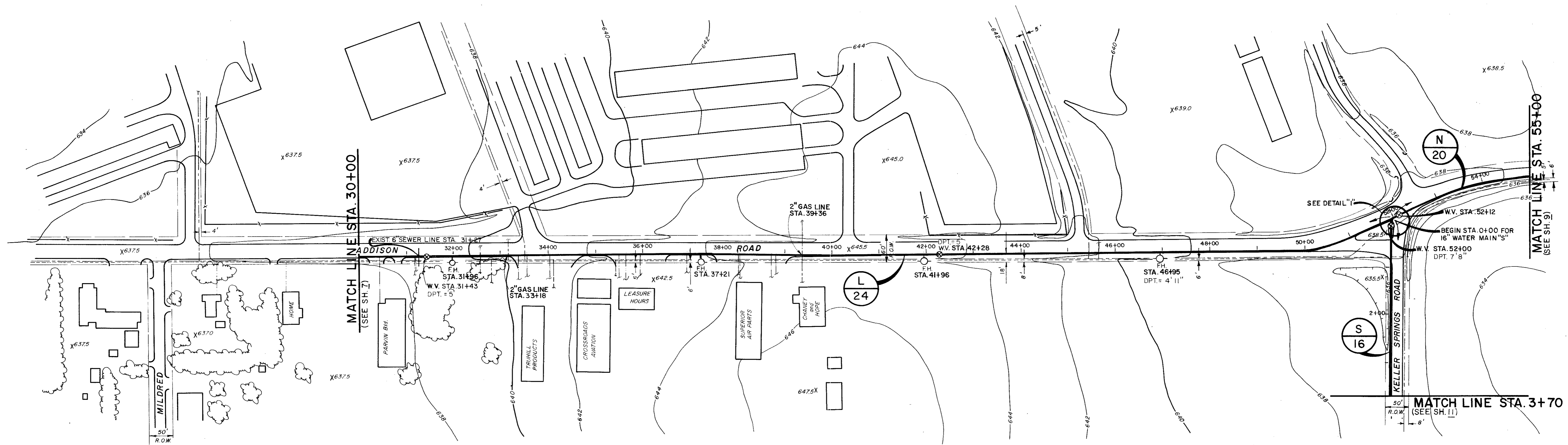
**CITY OF ADDISON  
DALLAS COUNTY, TEXAS  
WATER IMPROVEMENTS**

LINE "L"  
STA. 0+00 TO STA. 30+00  
LINE "LL"  
STA. 0+00 TO STA. 8+00

**GINN & STACY, INC.**  
CONSULTING ENGINEERS DALLAS, TEXAS

Designed By: J.G.S. Scale: As Shown  
Drawn By: G.L.H. Date: 1977

Sheet 7 of 7



LEGEND	
□	Hub & Tack
○	CORP Monument
●	Power Pole
○	Water Meter
○	Water Valve
○	Water Hydrant
○	Fire Hydrant
○	Gas Meter
○	Telephone Box
○	Guy Wire
○	Iron Pin
○	Mail Box
---	Water Line
---	Gas Line
---	Underground Telep.



CITY OF ADDISON  
DALLAS COUNTY, TEXAS

WATER IMPROVEMENTS

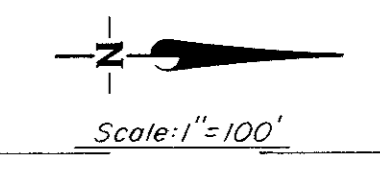
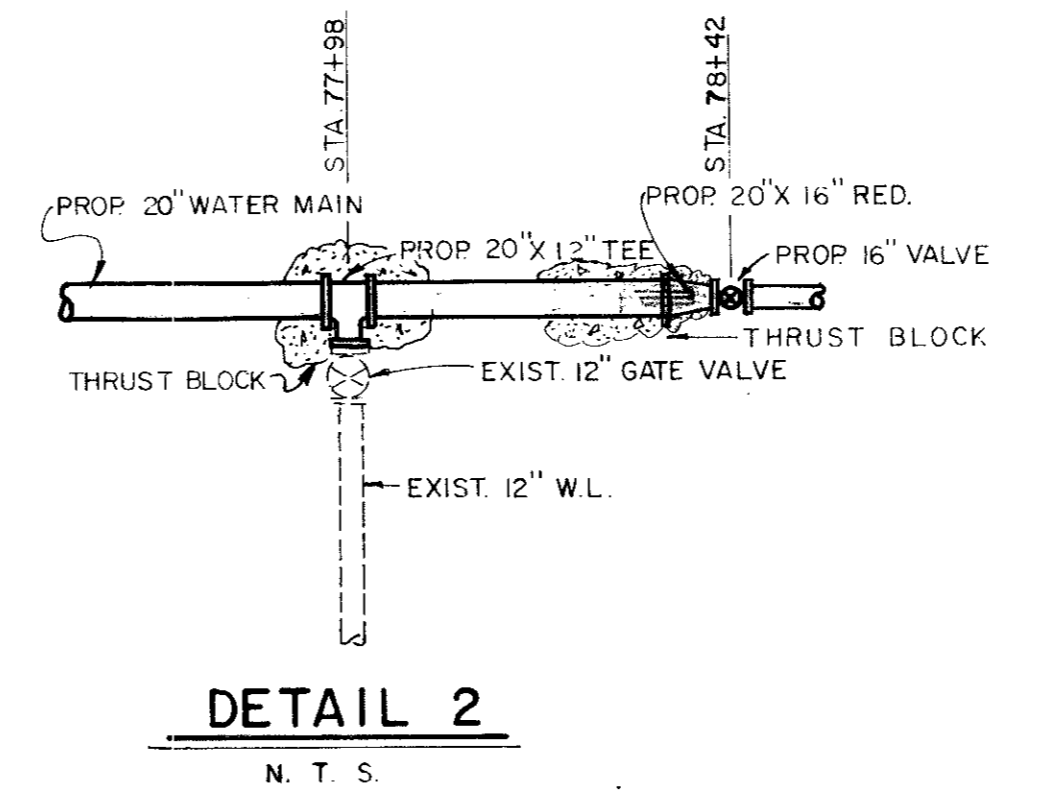
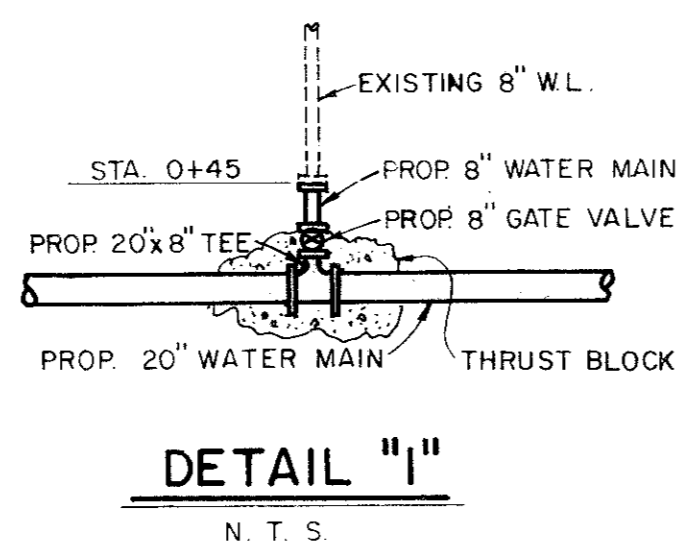
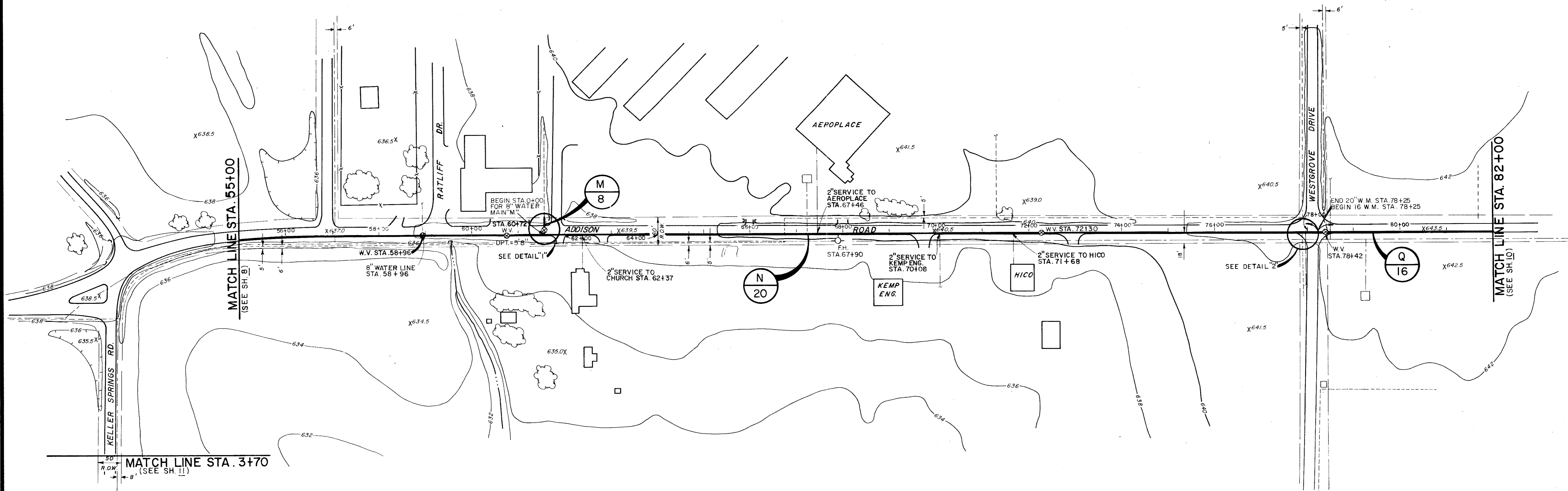
LINE "L" STA. 30+00 TO STA. 52+00  
 LINE "N" STA. 52+00 TO STA. 55+00  
 LINE "S" STA. 0+00 TO STA. 3+70

**GINN & STACY, INC.**  
CONSULTING ENGINEERS DALLAS, TEXAS

Designed By: J.O.S. Scale: As Shown  
 Drawn By: G.L.H. Date: 1977

Sheet 8 of 21





**LEGEND**

- Hub & Tack
- CORP Monument
- PP. Power Pole
- W.M. Water Meter
- W.V. Water Valve
- W.H. Water Hydrant
- ◇ F.H. Fire Hydrant
- G.M. Gas Meter
- ⊕ T. Telephone Box
- Guy Wire
- I.P. Iron Pin
- M.B. Mail Box
- Water Line
- Gas Line
- Underground Telephone



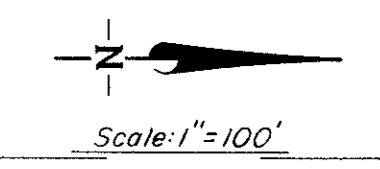
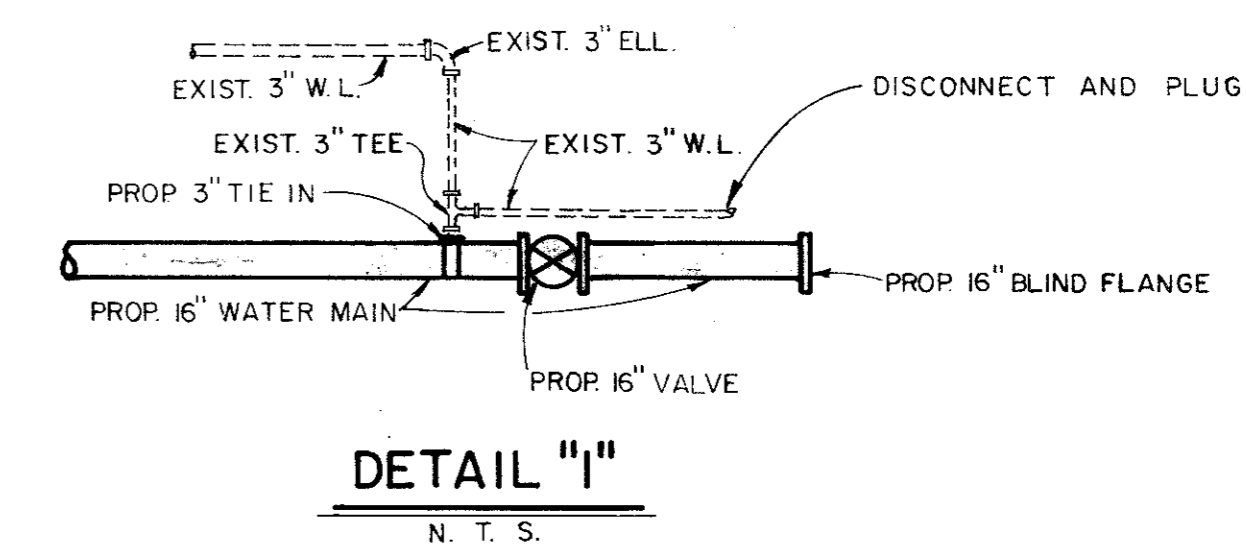
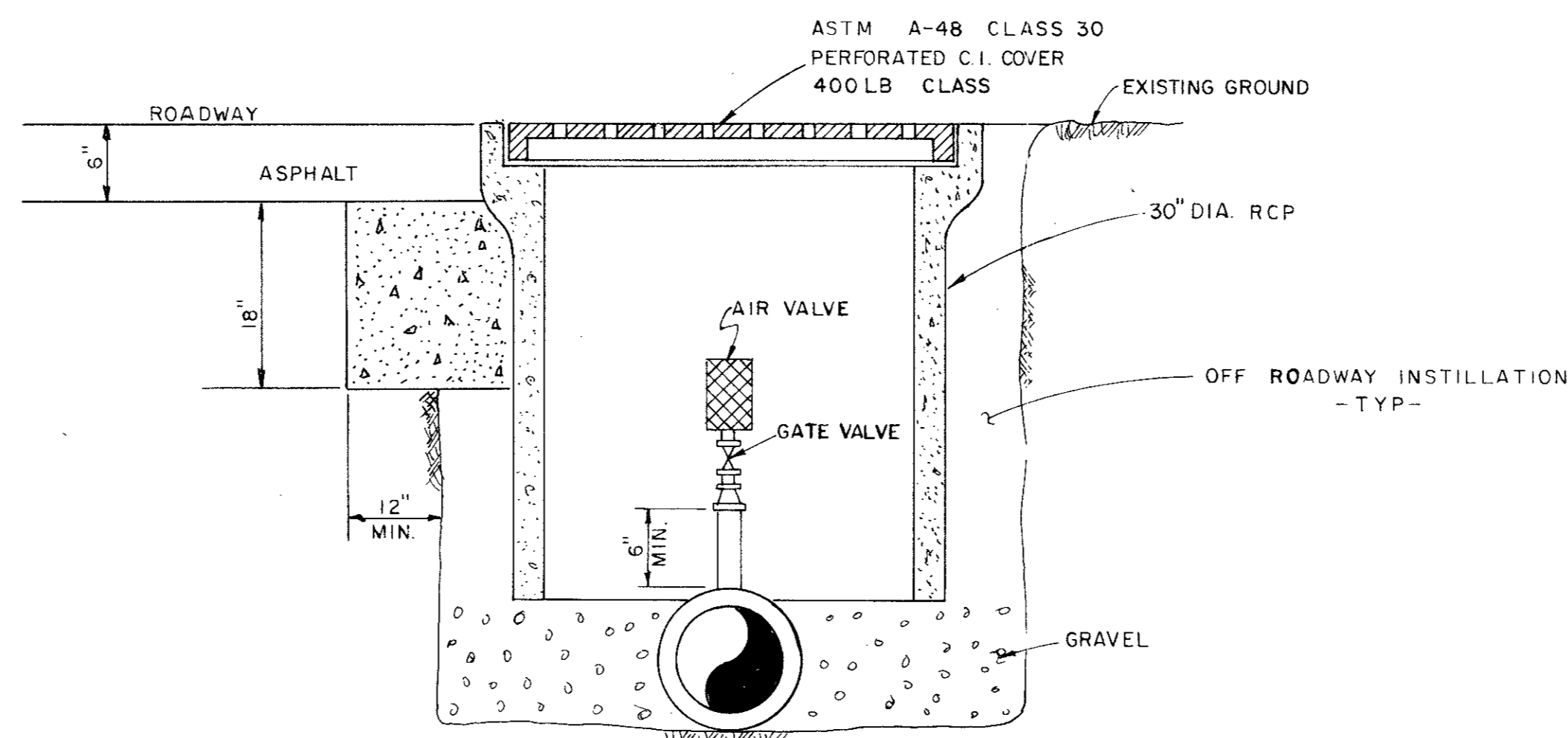
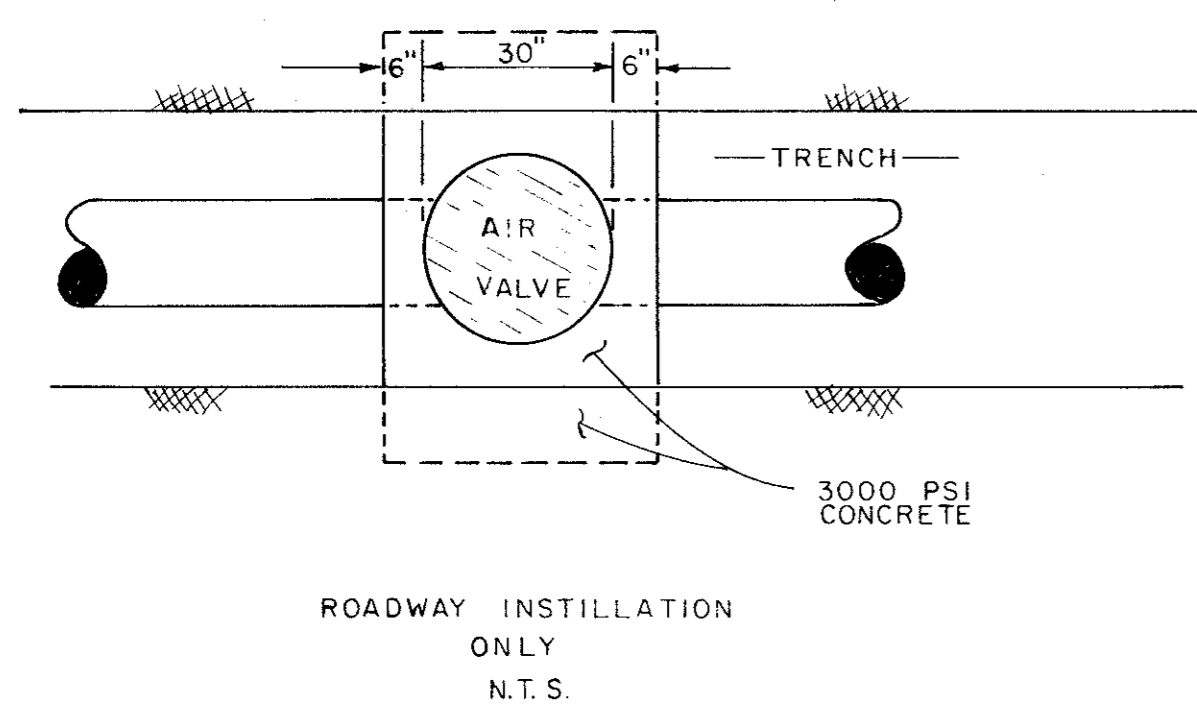
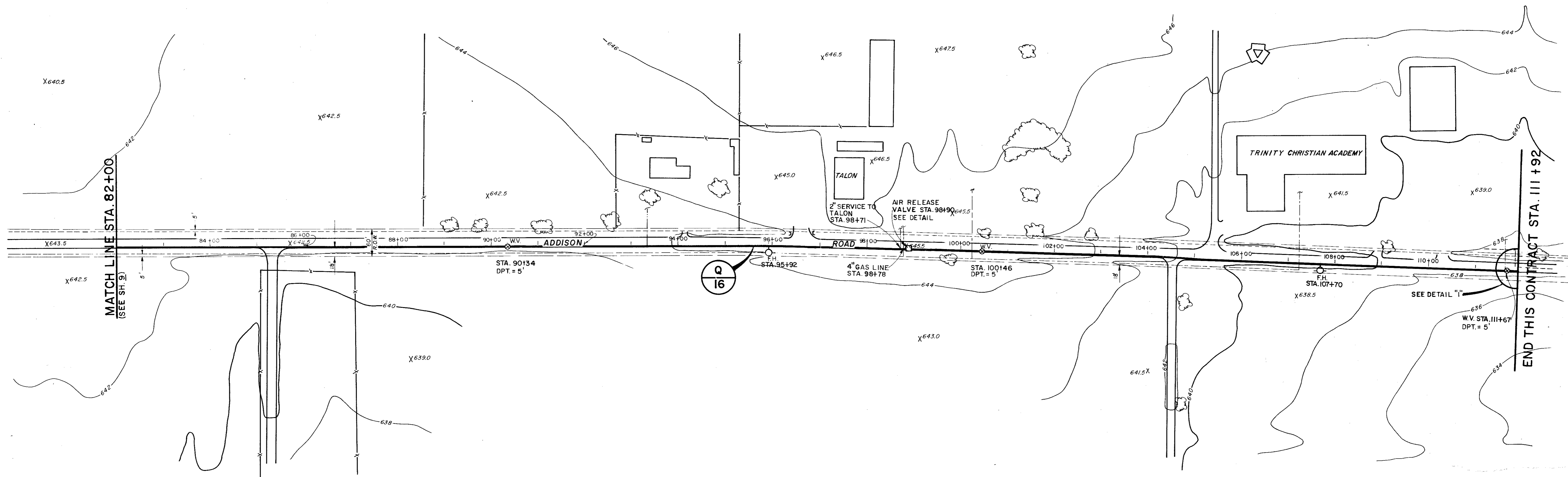
**CITY OF ADDISON  
DALLAS COUNTY, TEXAS**

**WATER IMPROVEMENTS**

LINE "N" STA. 55+00 TO STA. 78+25  
 LINE "M" STA. 0+00 TO STA. 0+45  
 LINE "Q" STA. 78+25 TO STA. 82+00

**GINN & STACY, INC.**  
 CONSULTING ENGINEERS — DALLAS, TEXAS

Designed By: L.O.S. Scale: As Shown  
 Drawn By: G.L.H. Date: 1977 Sheet 9 of 9



**LEGEND**

- Hub & Tack
- CORP Monument
- Power Pole
- W.M. Water Meter
- W.V. Water Valve
- W.H. Water Hydrant
- F.H. Fire Hydrant
- G.M. Gas Meter
- T. Telephone Box
- Guy Wire
- I.P. Iron Pin
- M.B. Mail Box
- Water Line
- Gas Line
- - - - - Underground Telephone



CITY OF ADDISON  
DALLAS COUNTY, TEXAS

WATER IMPROVEMENTS

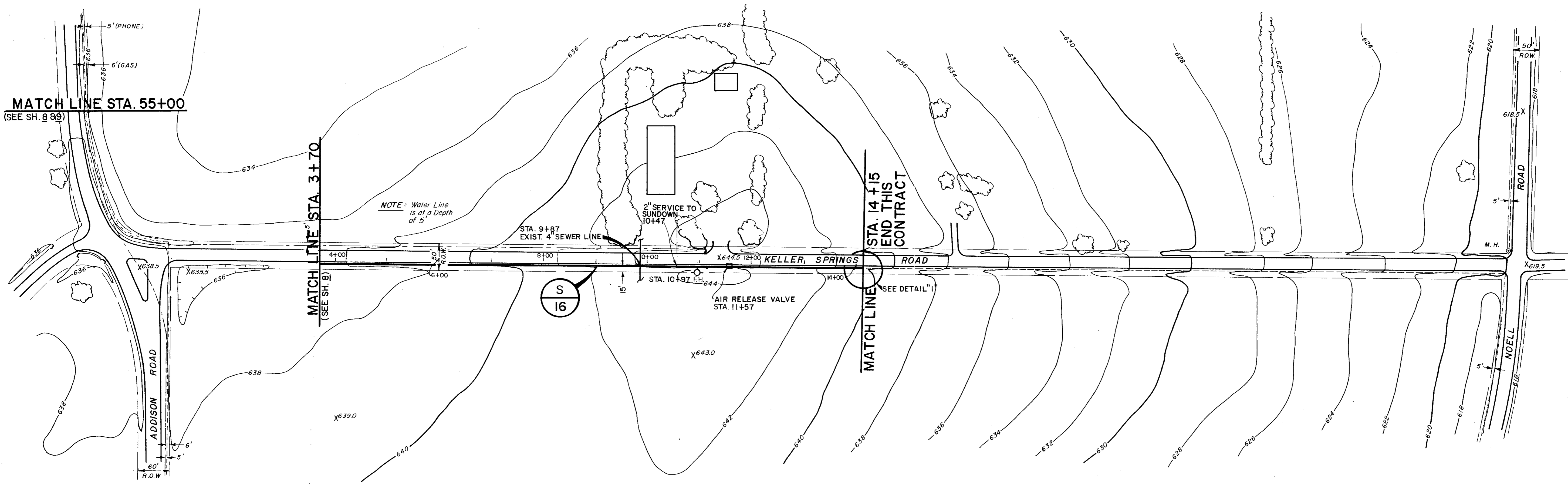
LINE "Q"

STA. 82+00 TO STA. 112+00  
END OF CONTRACT

GINN & STACY, INC.  
CONSULTING ENGINEERS DALLAS, TEXAS

Designed By: J.O.S. Scale: As Shown  
 Drawn By: G.L. Date: 1977

Sheet IC



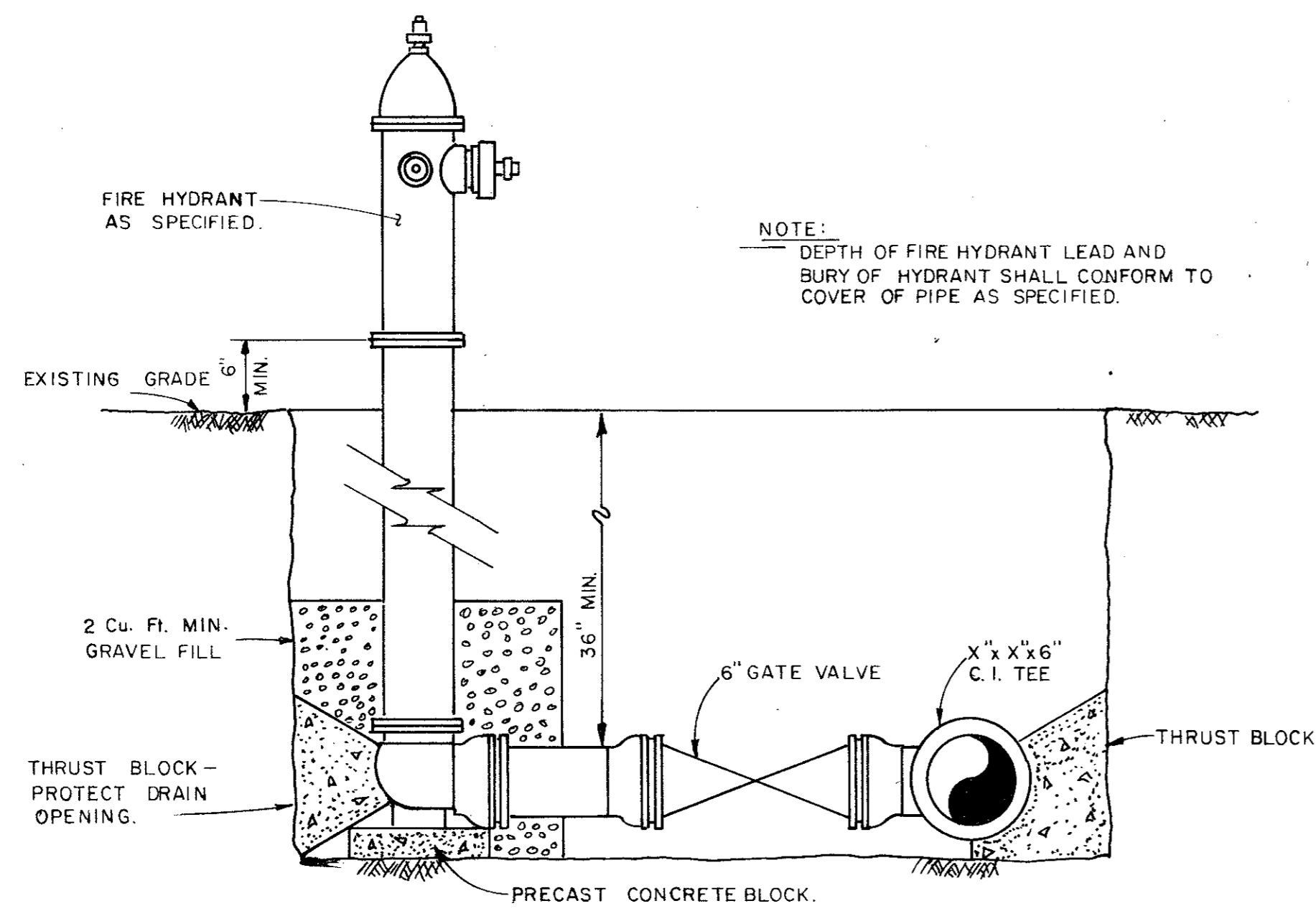
NOTE: Water Line is at a Depth of 5'

S  
16

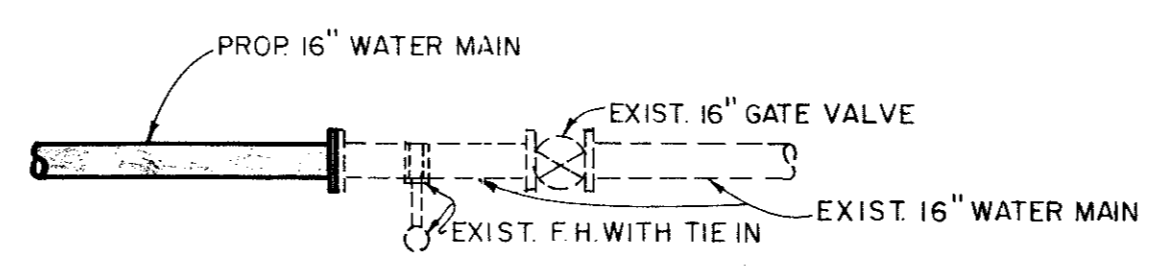
MATCH LINE STA. 55+00  
(SEE SH. 8 89)

MATCH LINE STA. 3+70  
(SEE SH. 8)

MATCH LINE STA. 14+15  
END THIS CONTRACT

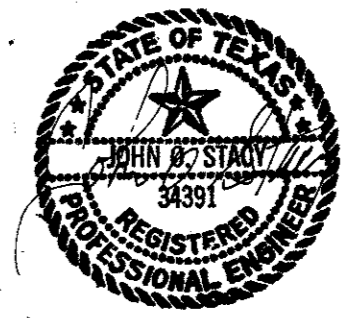
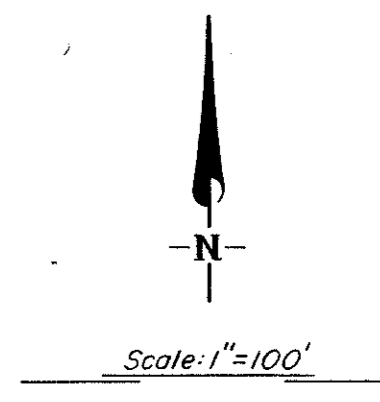


TYPICAL FIRE HYDRANT DETAIL  
NO SCALE



DETAIL "I"  
N. T. S.

- LEGEND
- Hub & Tack
  - CORP Monument
  - PP Power Pole
  - WM Water Meter
  - WV Water Valve
  - WH Water Hydrant
  - FH Fire Hydrant
  - GM Gas Meter
  - T Telephone Box
  - Guy Wire
  - I.P. Iron Pin
  - M.B. Mail Box
  - Water Line
  - Gas Line
  - - - - - Underground Telephone

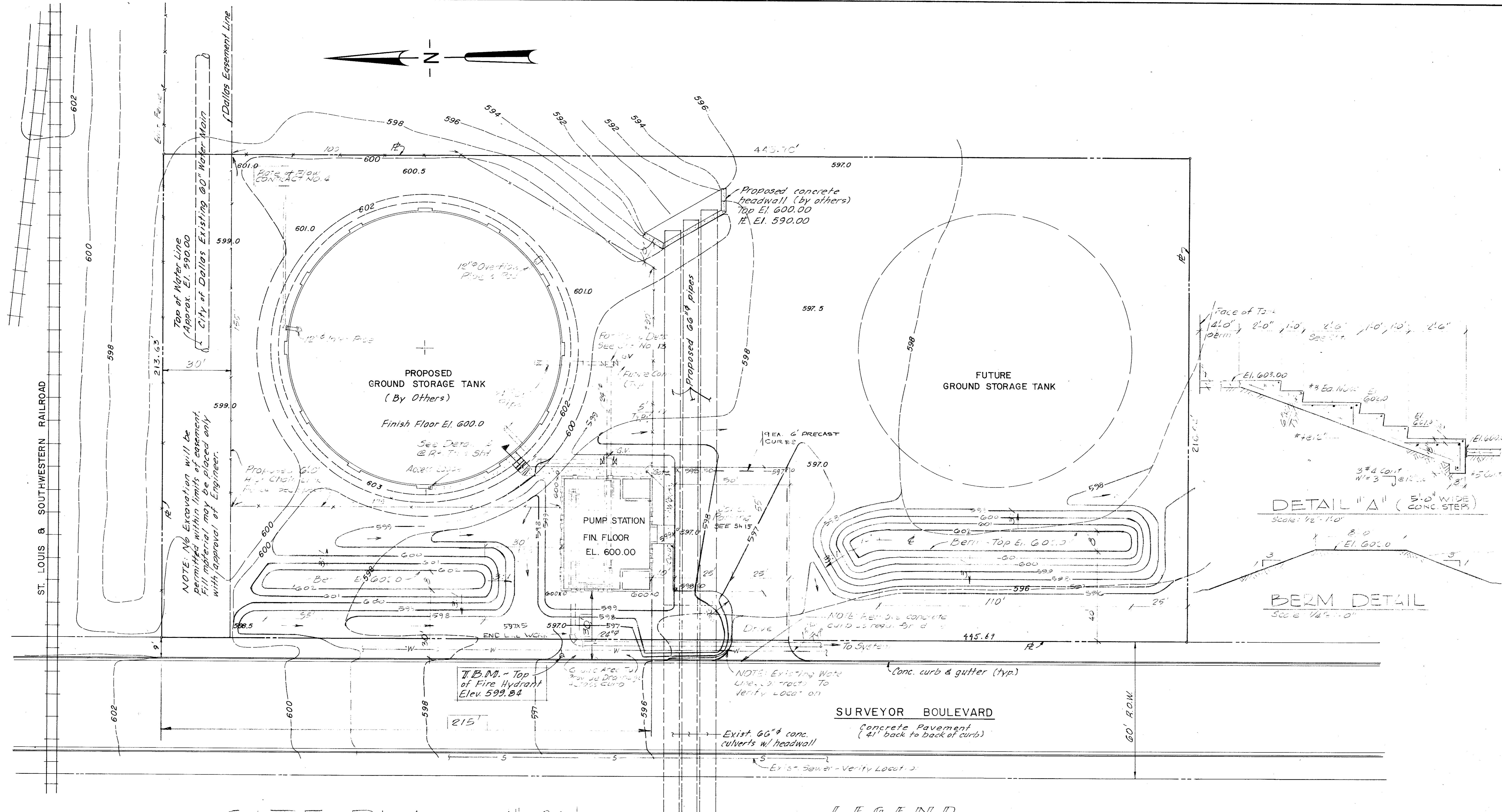
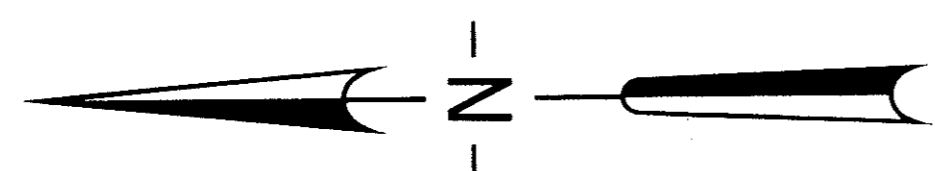


CITY OF ADDISON  
DALLAS COUNTY, TEXAS  
WATER IMPROVEMENTS

LINE "S"  
STA. 3+70 TO STA. 14+15  
END OF CONTRACT

GINN & STACY, INC.  
CONSULTING ENGINEERS DALLAS, TEXAS

Designed By: J.O.S. Scale: As Shown  
Drawn By: G.L.H. Date: 1977 Sheet 11 of 14



# SITE PLAN ~ 1"=20'

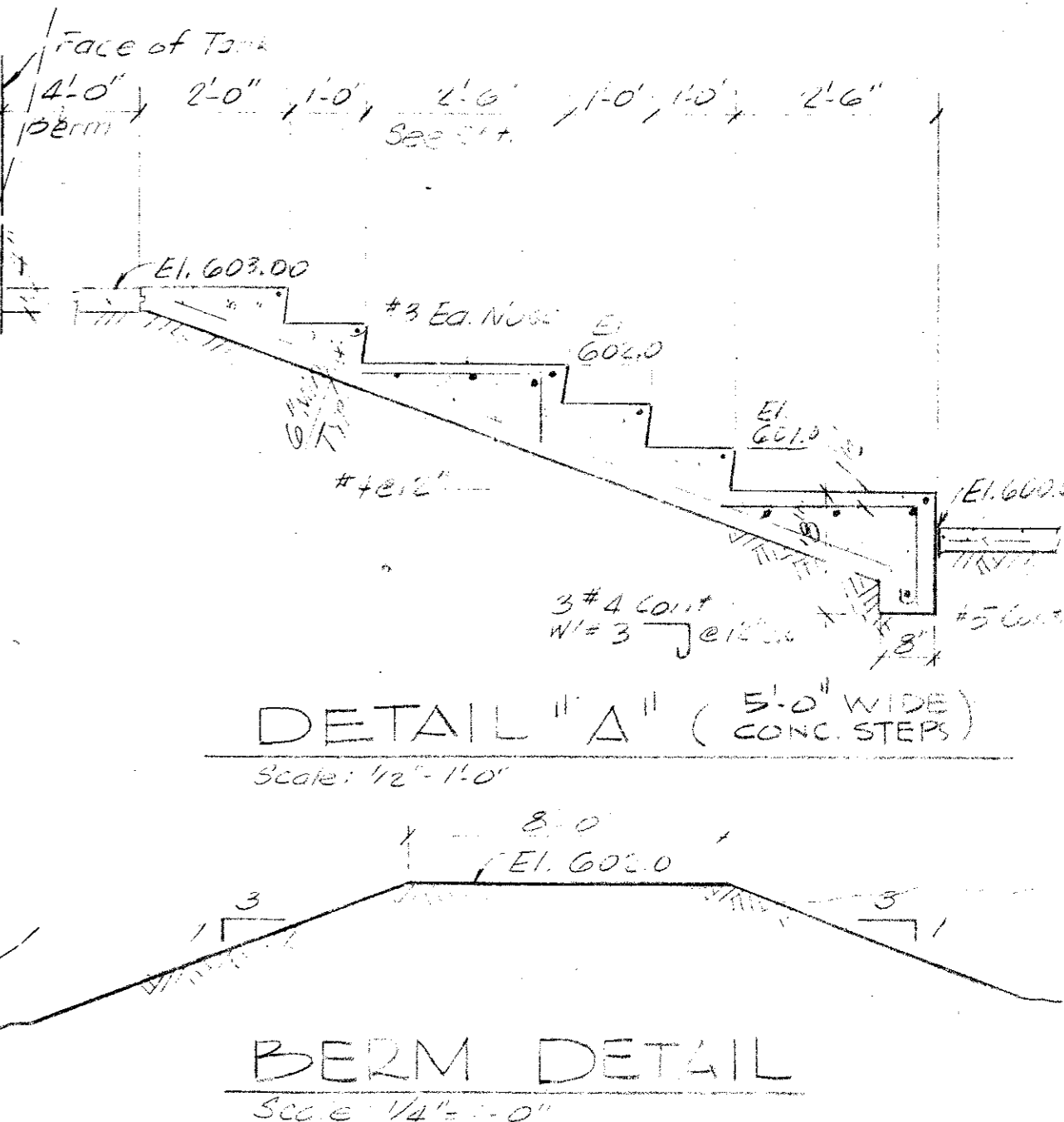
NOTE: This Contractor Responsible For All Final Grades and Locating. This Contractor To Coordinate All Ground & Utility Ties Contractor During Construction.

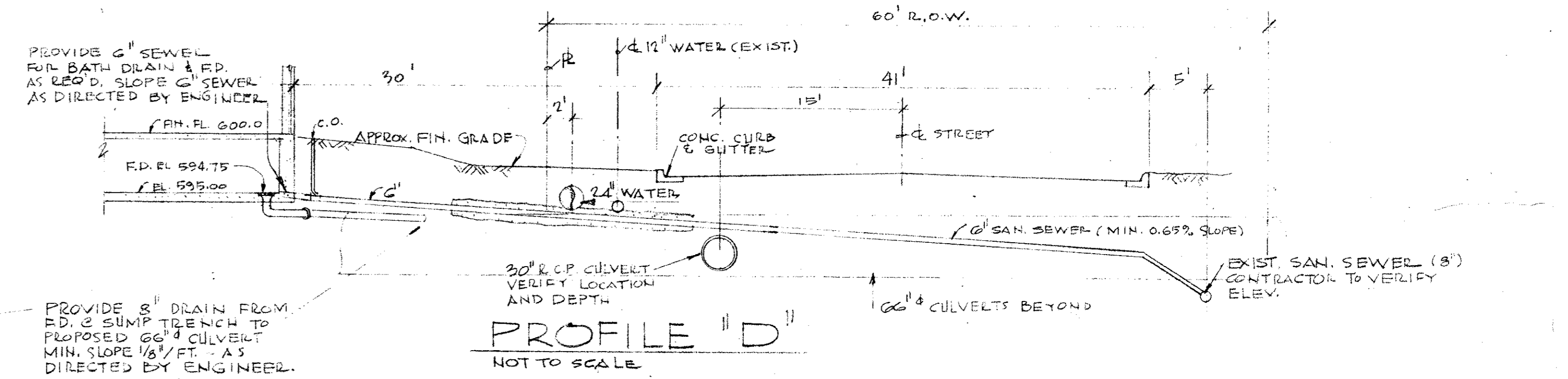
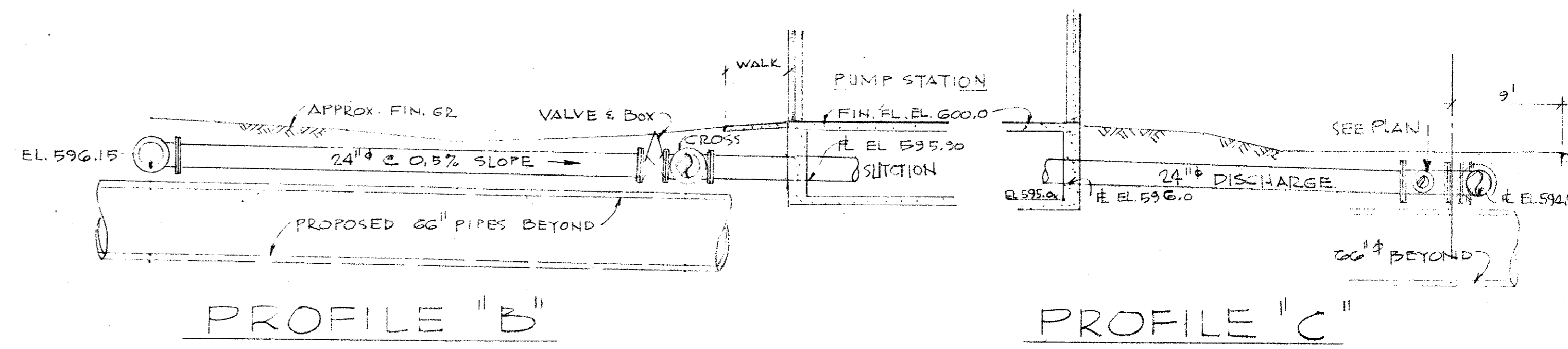
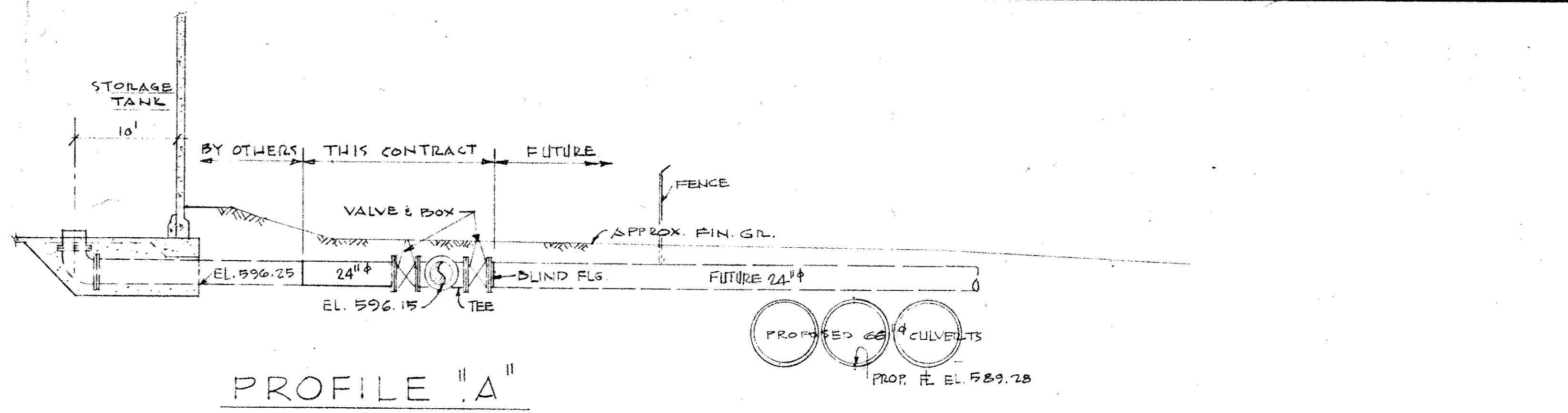
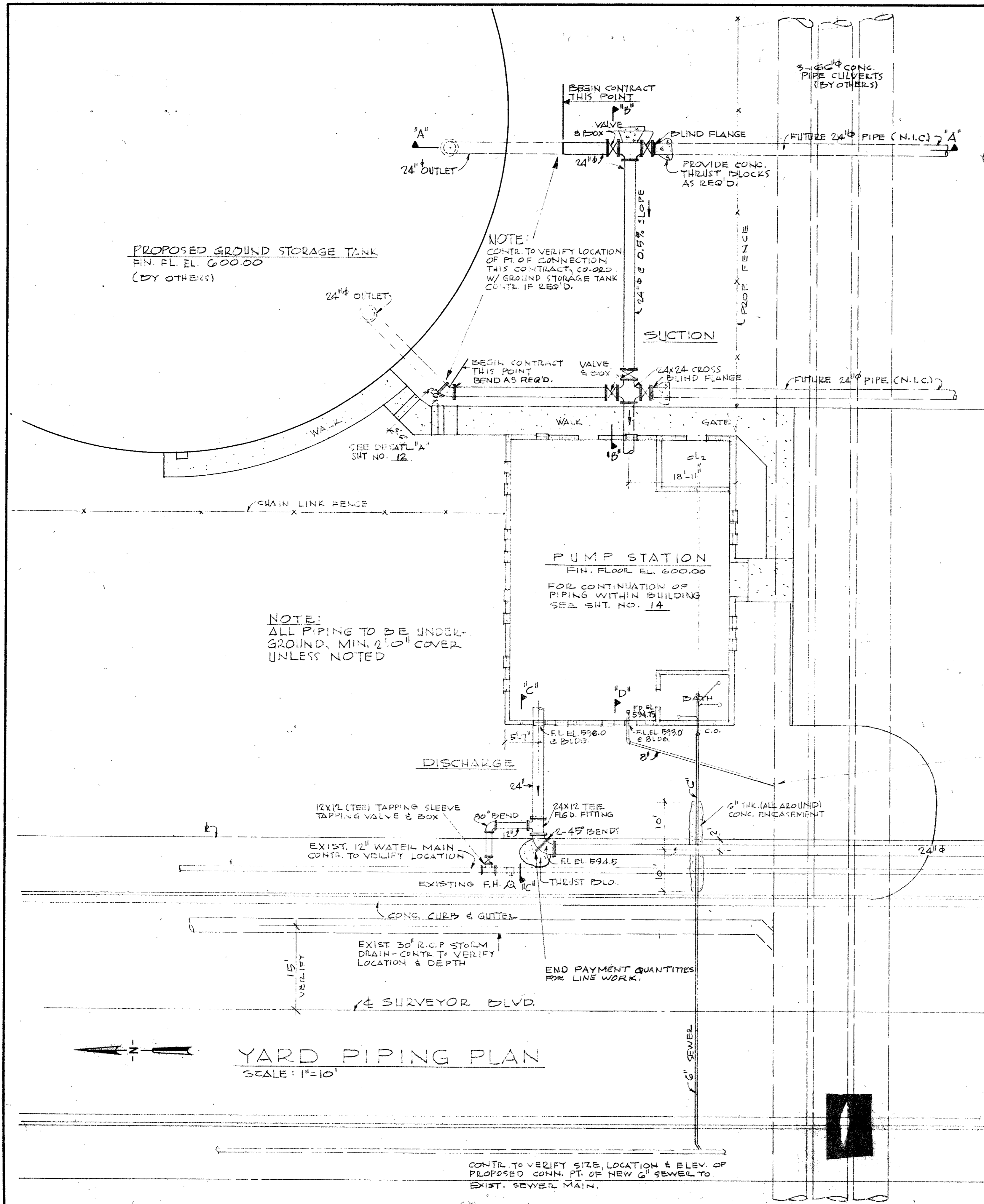
## LEGEND

- 600 Existing Contour
- 599.5 Existing Spot Elevation
- 595 Finished Grades
- 598.5 Fin. Spot Elevation



CITY OF ADDISON DALLAS COUNTY, TEXAS	
WATER PUMP STATION AND WATER MAINS	
SITE LAYOUT	
GINN & STACY, INC. CONSULTING ENGINEERS - DALLAS, TEXAS	
DESIGNED BY: H.G.	SCALE: 1/4"=20'
DRAWN BY: S.	DATE: 7/1/01
Sheet 12 of 2	





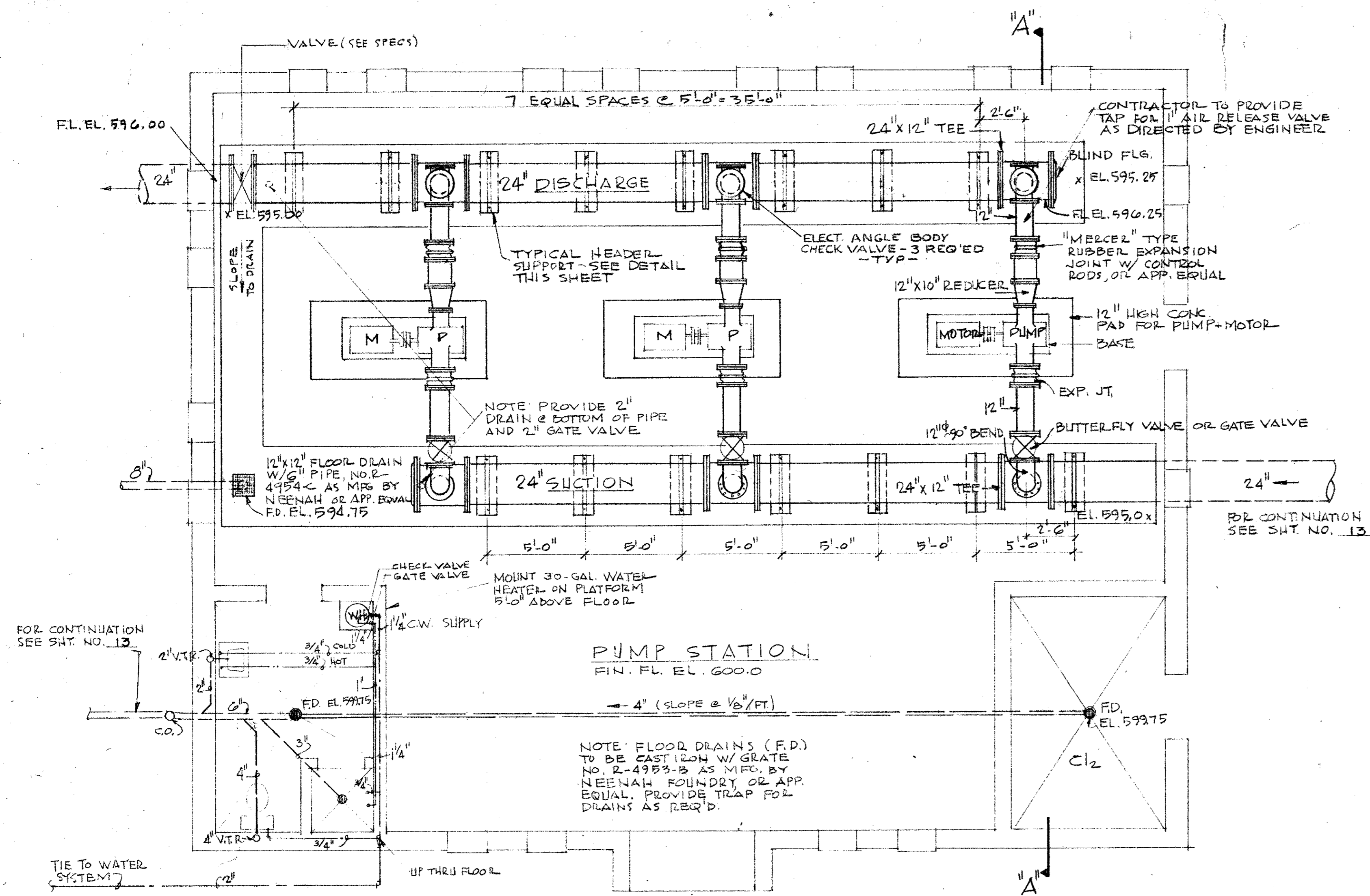
**NOTE:**

- CONTRACTOR TO OPEN CUT AND VERIFY ALL UTILITIES PRIOR TO INSTALLATION OF SEWER MAIN.
- VALVES MAY BE GATE OR BUTTERFLY UNLESS SPECIFICALLY DESIGNATED.

**YARD PIPING PLAN**  
SCALE: 1"=10'

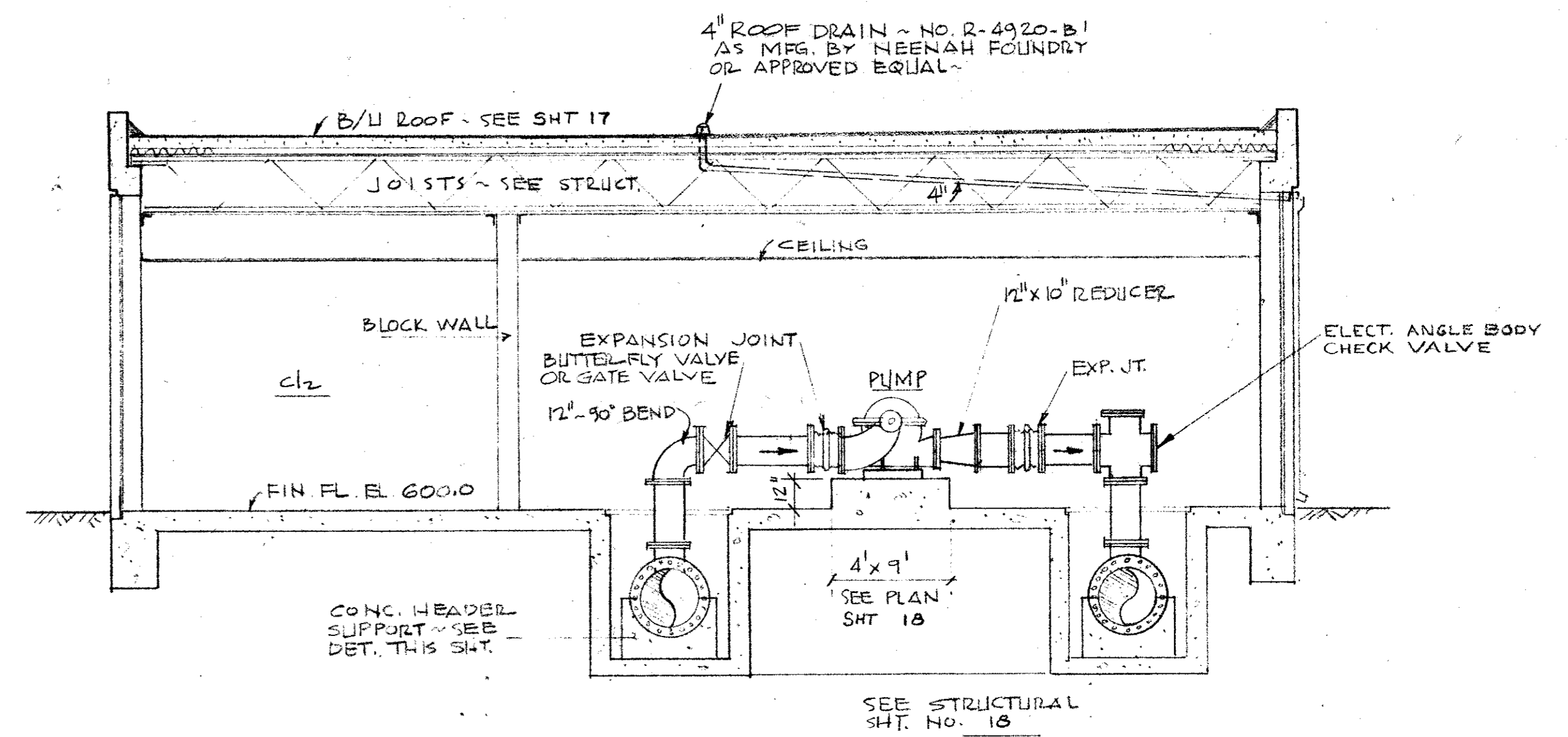
CITY OF ADDISON DALLAS COUNTY, TEXAS	
WATER PUMP STATION AND WATER MAINS	
YARD PIPING	
GINN & STACY, INC. CONSULTING ENGINEERS - DALLAS, TEXAS	
DESIGNED BY: <i>AWG</i>	SCALE: AS SHOWN
DRAWN BY: <i>CF</i>	DATE: AUG 77
Sheet 13 of 24	



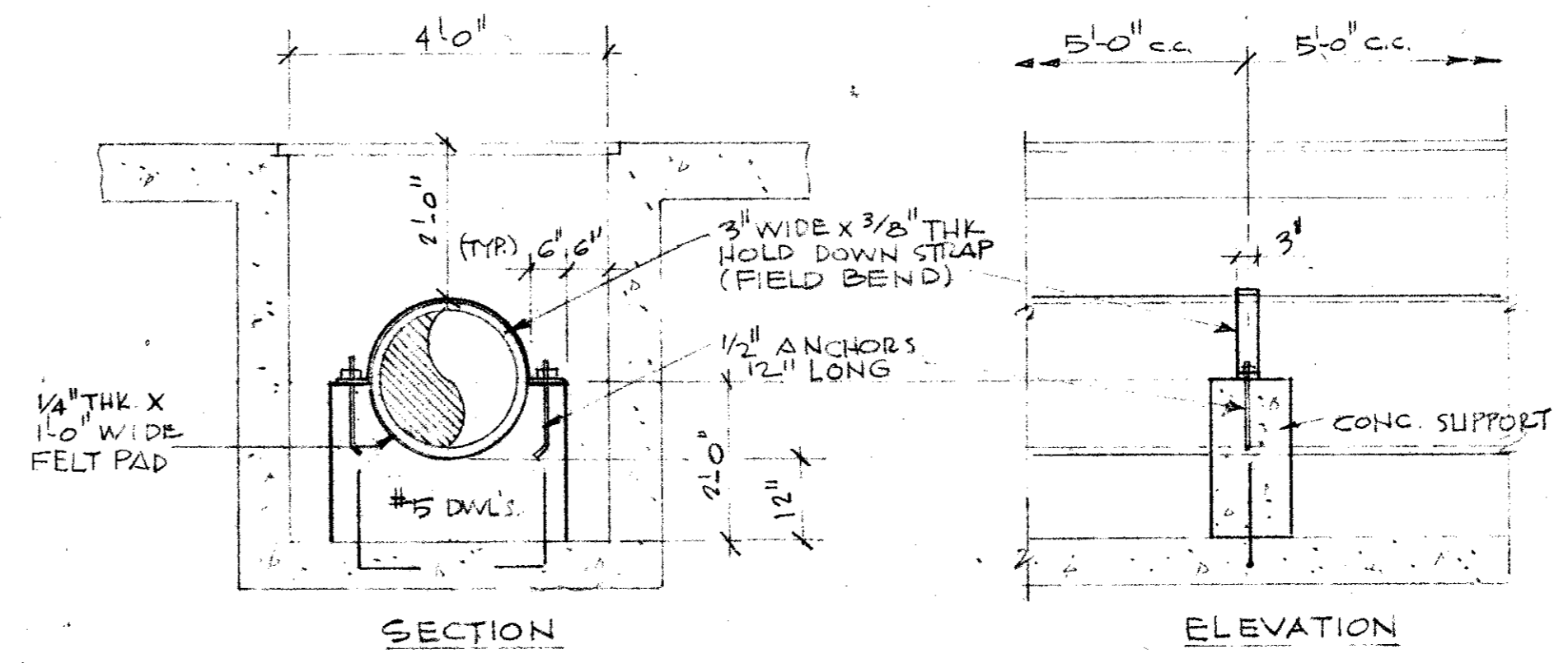


**PUMP STATION PIPING PLAN**  
SCALE: 1/4" = 1'-0"  
NORTH

NOTE: DUCTILE IRON PIPE SHALL BE USED THRU WALLS AND INSIDE PUMP STATION. NO SUBSTITUTION WILL BE ALLOWED. VALVES MAY BE GATE OR BUTTERFLY UNLESS SPECIFICALLY DESIGNATED.



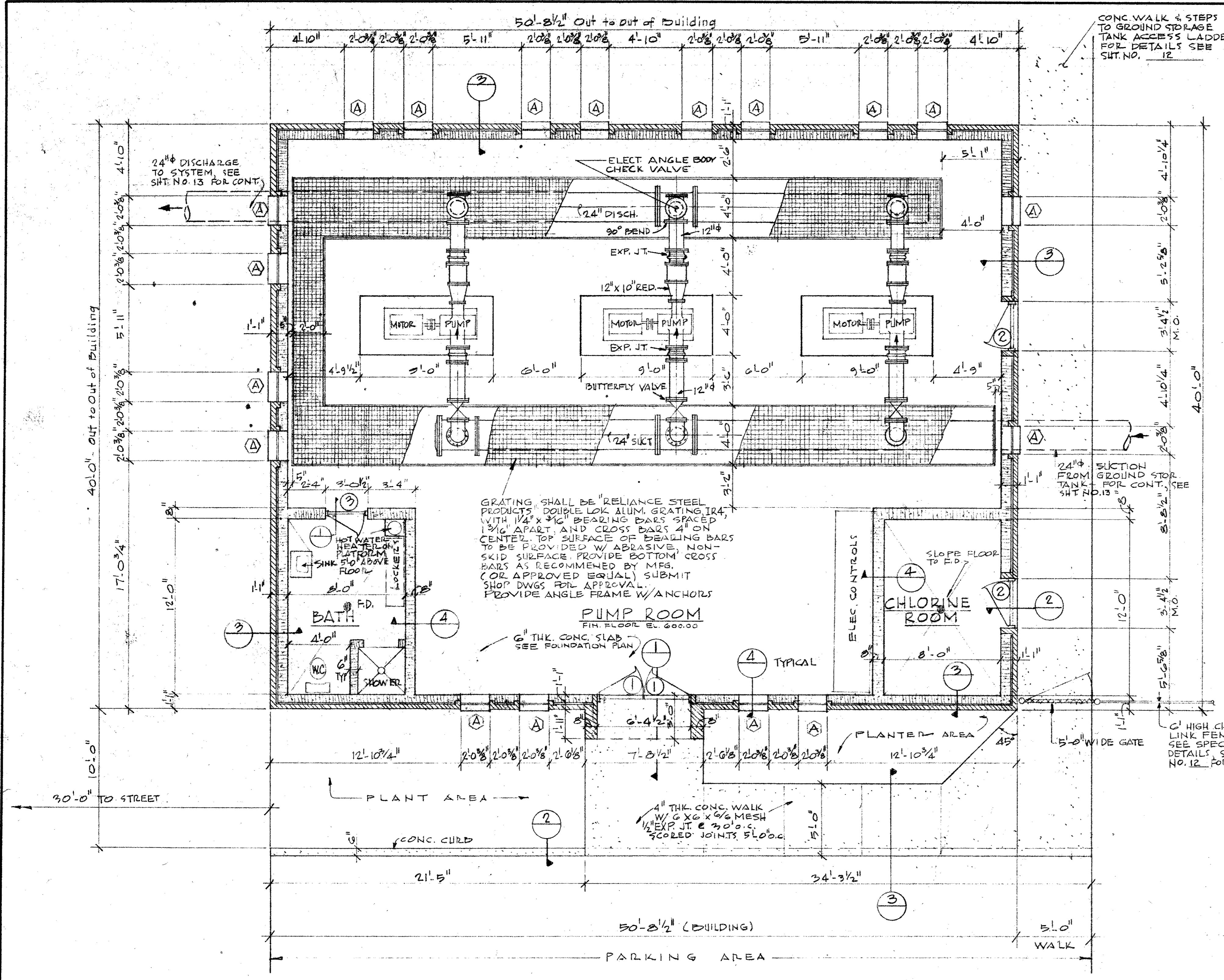
**SECTION A-A**  
SCALE: 1/4" = 1'-0"



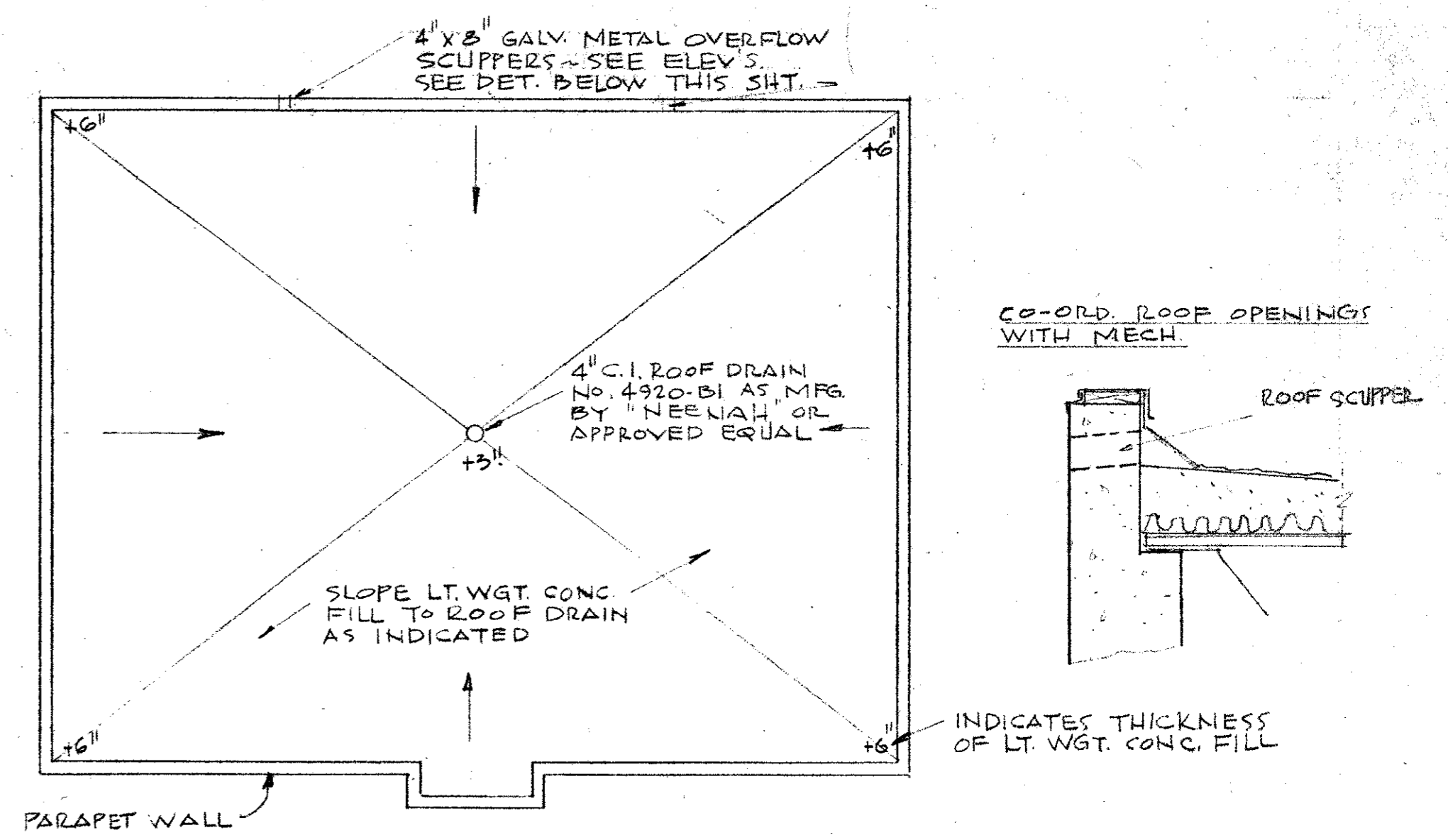
**TYPICAL HEADER PIPE SUPPORT**  
SCALE: 1/2" = 1'-0"



CITY OF ADDISON DALLAS COUNTY, TEXAS	
WATER PUMP STATION AND WATER MAINS	
PUMP STATION PIPING PLAN	
GINN & STACY, INC. CONSULTING ENGINEERS - DALLAS, TEXAS	
DESIGNED BY: <i>HVE</i>	SCALE: AS SHOWN
DRAWN BY: <i>GF</i>	DATE: AUG. 77
Sheet 14 of 24	

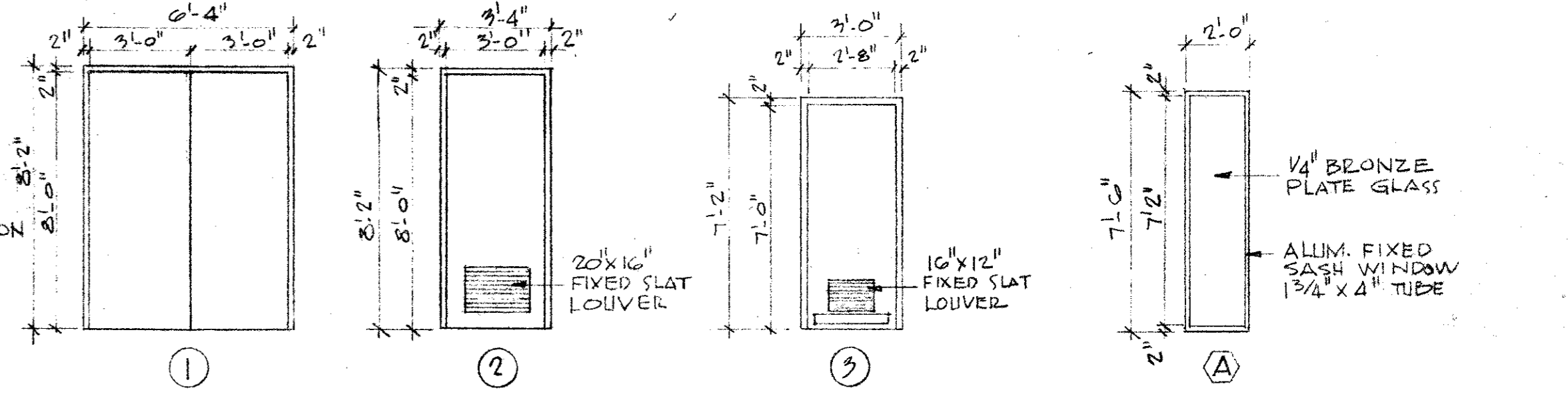


**PUMP STATION FLOOR PLAN - 1/4" = 1'-0"**  
 FINISHED FLOOR ELEV. 600.00 (M.S.I.)



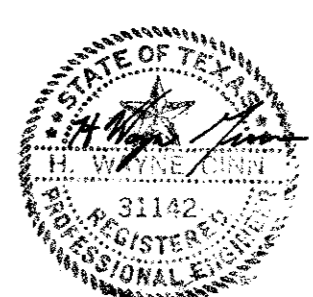
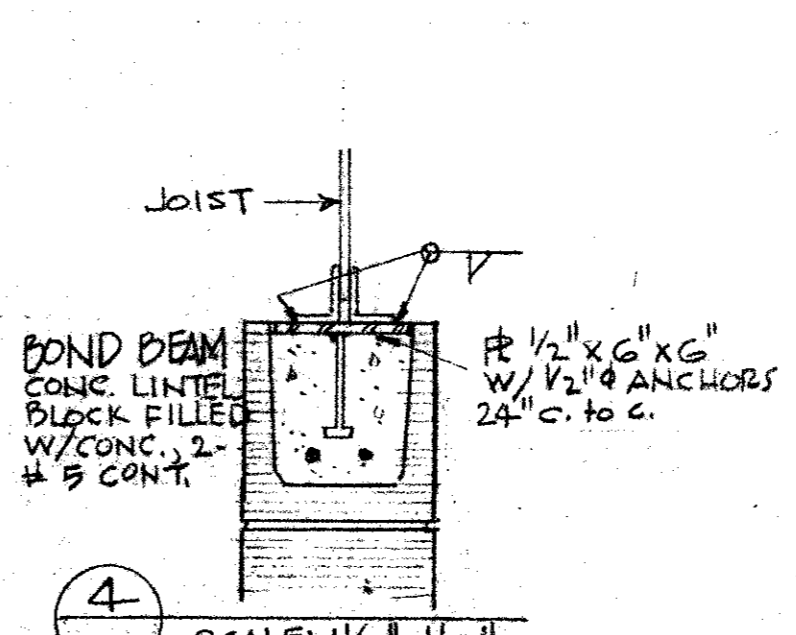
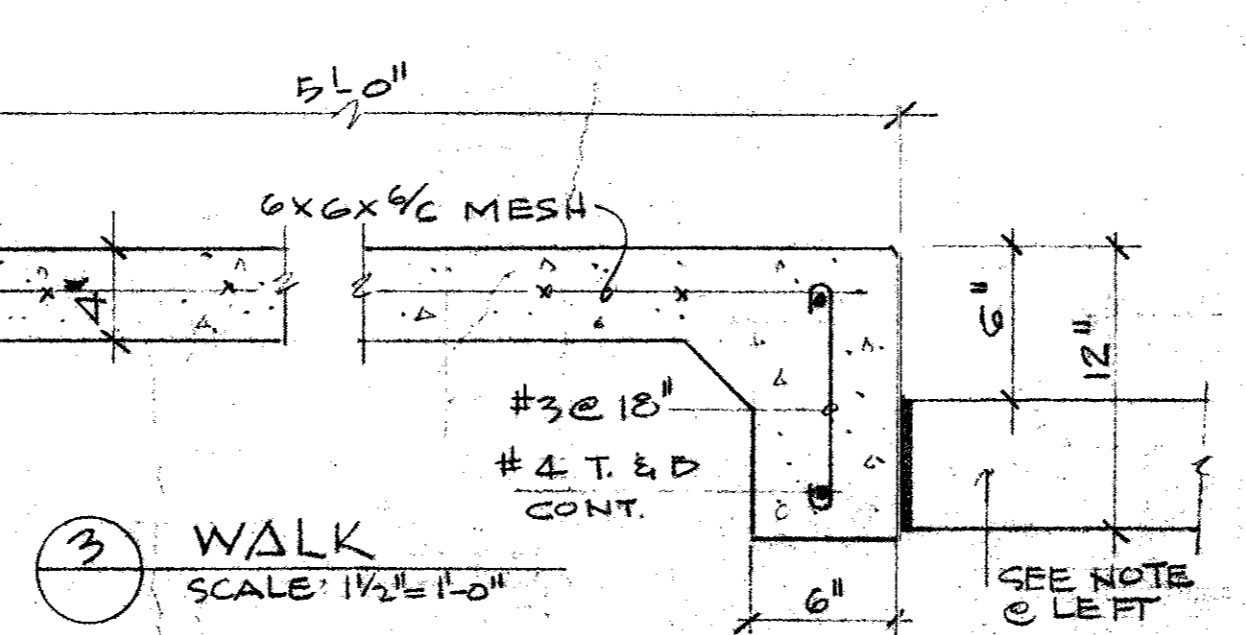
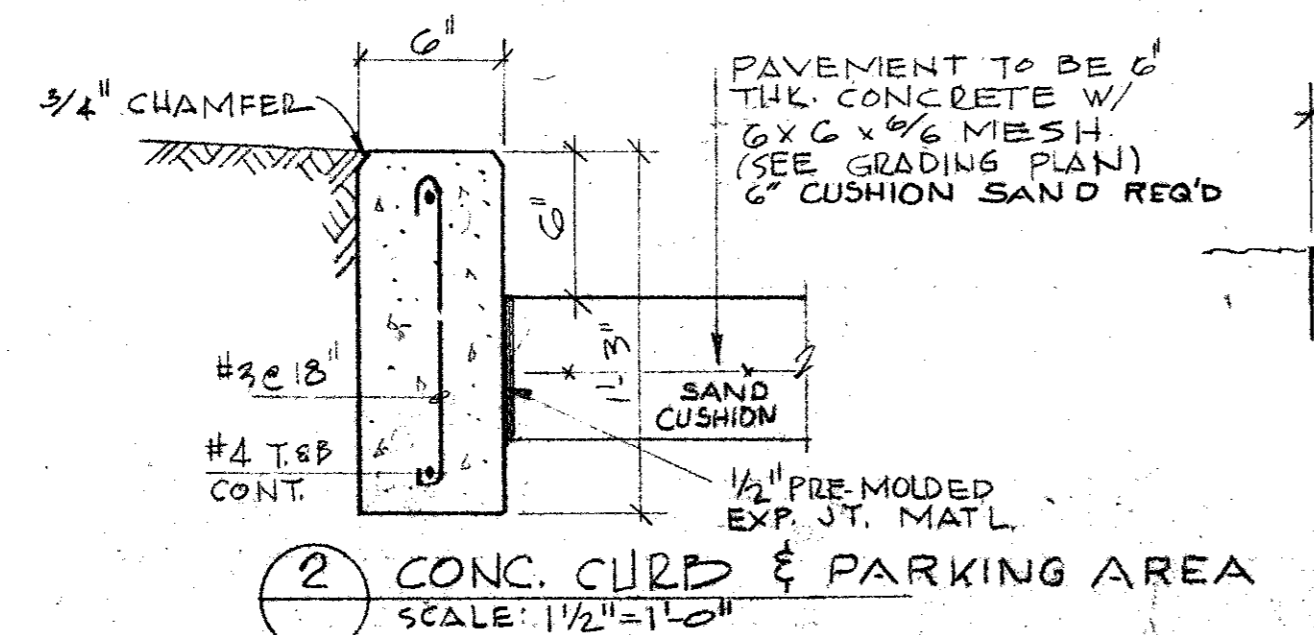
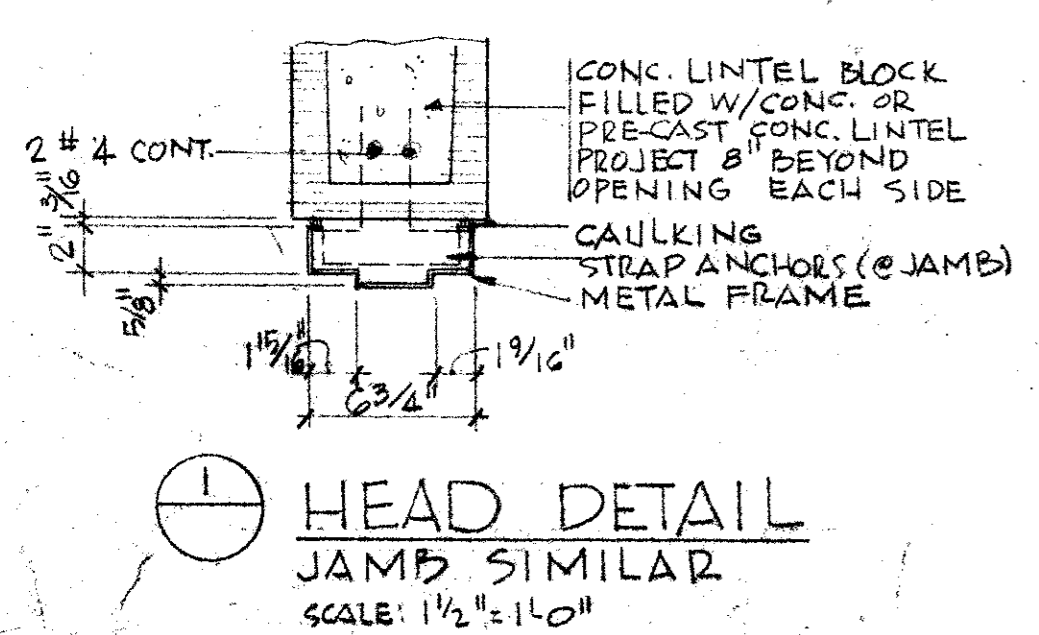
**ROOF PLAN**  
 SCALE: 1/8" = 1'-0"

ROOM FINISH SCHEDULE					
SPACE	FLOOR	BASE	WALLS	CEILING	REMARKS
PUMP ROOM	EXPOSED CONCRETE	4" RUBBER	PAINTED BLOCK	SUSPENDED ACOUSTICAL CEILING	
CL <sub>2</sub>	EXPOSED CONCRETE	NONE	PAINTED BLOCK	SUSPENDED ACOUSTICAL CLG	CONTINUE 8" WALLS TO STRUCTURAL ABOVE
BATH	VINYL ASBESTOS TILE	4" RUBBER	PAINTED BLOCK	SUSPENDED ACOUSTICAL CEILING	FLOOR TILE TO BE SELECTED FROM COLOR SAMPLES SUBMITTED TO ENGINEER. CONTINUE 8" WALLS TO STRUCT. ABOVE



DOOR SCHEDULE										
NO	TYPE	SIZE	FRAME	LINTEL	THRESHOLD	LOCK	LOUVER	KICK PL	HINGES	REMARKS
1	COMPOSITE CONSTRUCTION	1 3/4" x 3'-0" x 8'-0"	METAL	METAL OR CONC.	1/2" x 4"	400	-	-	2 PR.	SEE NOTES BELOW
2	"	1 3/4" x 3'-0" x 8'-0"	"	"	1/2" x 4"	400	20" x 16"	-	2 PR.	" " "
3	"	1 3/4" x 2'-8" x 7'-0"	"	"	-	NO	16" x 12"	YES	1 1/2 PR.	" " "

ALL DOORS, FRAMES, AND HARDWARE TO BE AS MFG BY THE CECO CORPORATION OR APPROVED EQUAL. DOORS TO BE 1 3/4" THK REGENT DOORS (COMPOSITE CONSTRUCTION) CLASS A, 16 GA. GALV. STEEL, FRAMES TO BE 16 GA HOT-DIPPED GALV. STEEL. LOCKS TO BE HEAVY DUTY CYLINDRICAL LOCKS, SERIES 400. FINISH FOR ALL HARDWARE TO BE US-10 SATIN BRONZE. MASTER KEY ALL LOCKS. FURNISH RUBBER DOOR SILENCERS FOR DOORS NO. 1 & NO. 2.

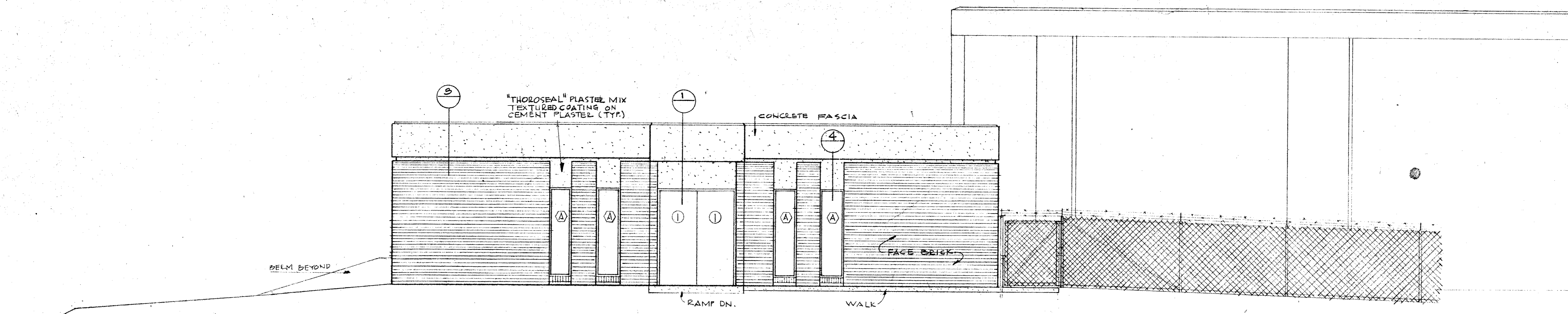


CITY OF ADDISON  
 DALLAS COUNTY, TEXAS  
**WATER PUMP STATION  
 AND WATER MAINS**

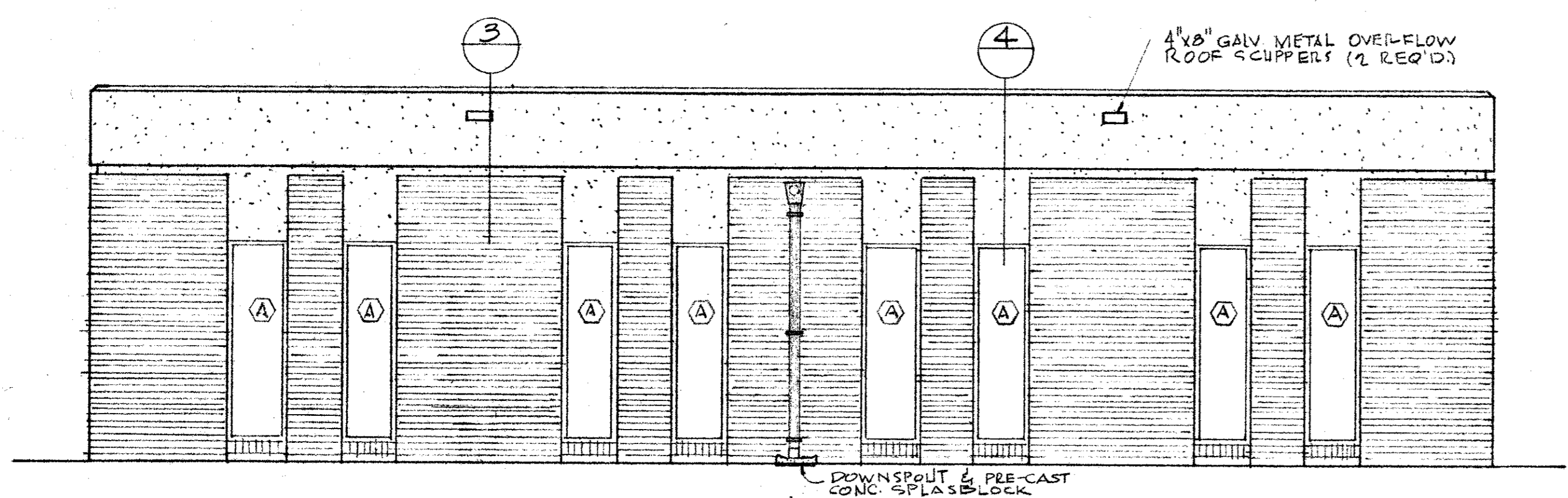
**PUMP STATION FLOOR PLAN**

GINN & STACY, INC.  
 CONSULTING ENGINEERS - DALLAS, TEXAS  
 DESIGNED BY: [Signature] SCALE: AS SHOWN  
 DRAWN BY: [Signature] DATE: AUG. 77

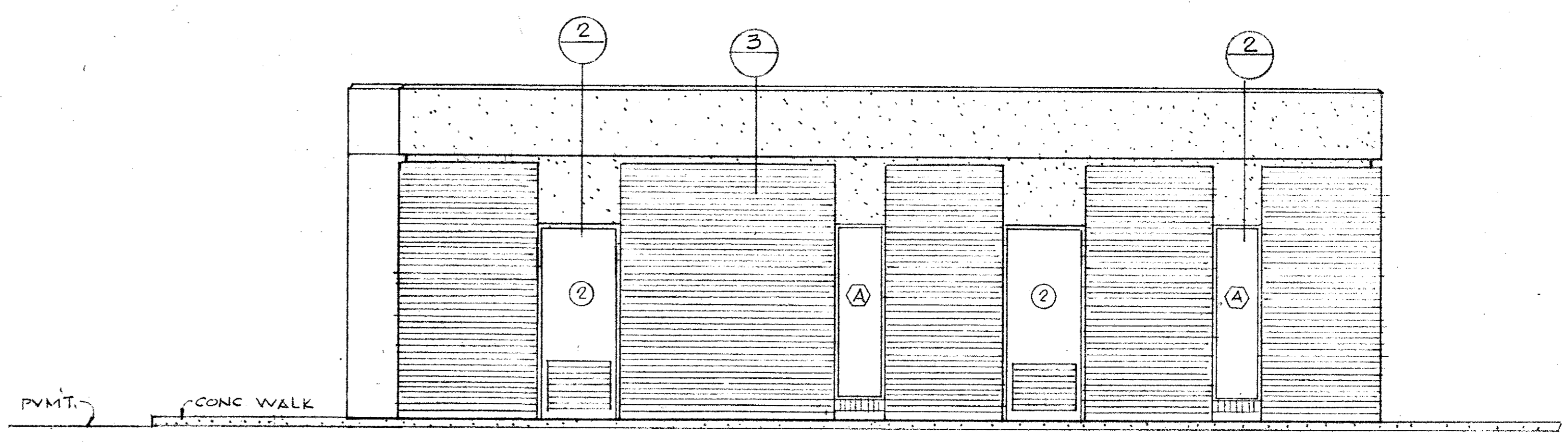
Sheet 15 of 17



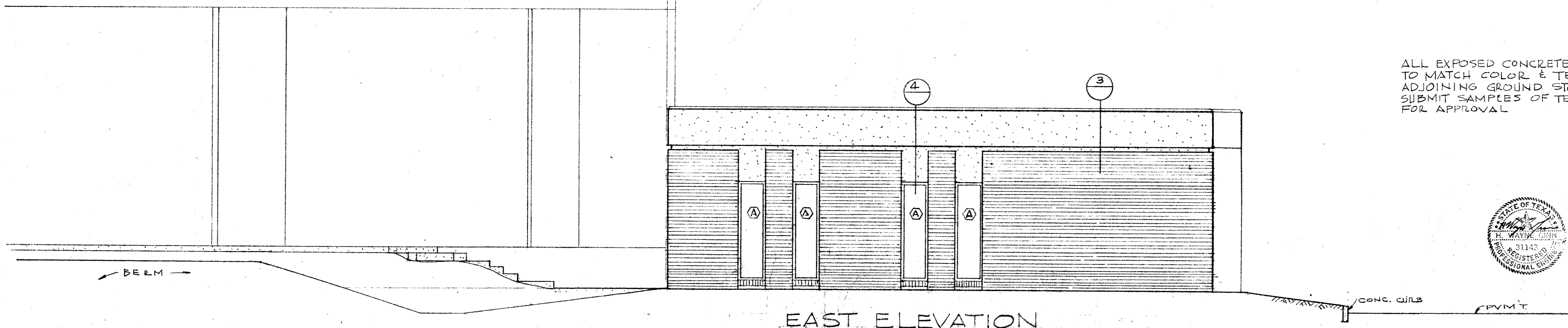
NORTH ELEVATION



SOUTH ELEVATION

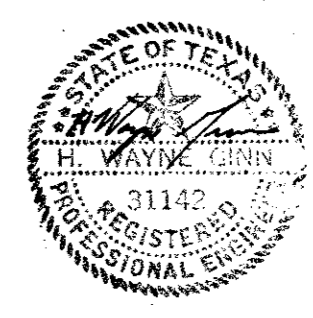


WEST ELEVATION



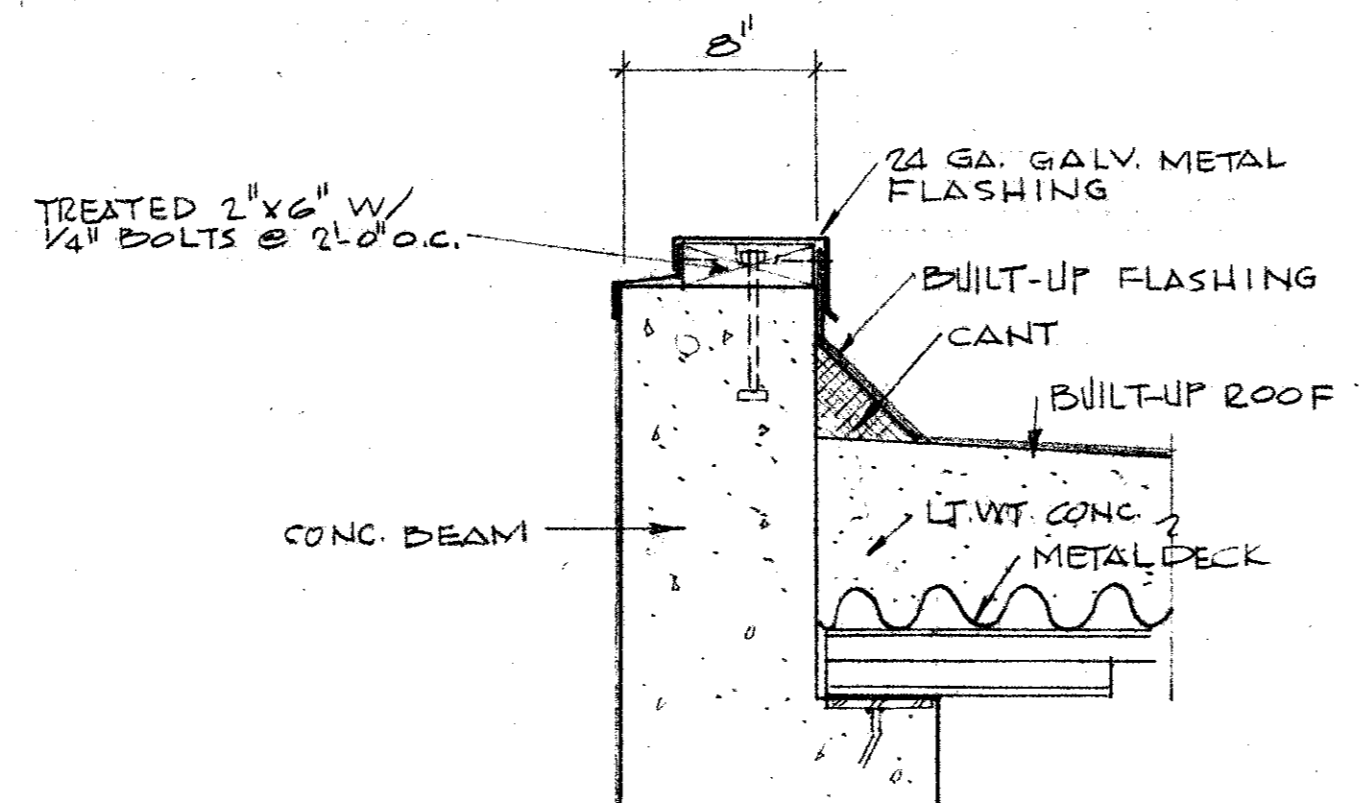
EAST ELEVATION

ALL EXPOSED CONCRETE TO BE PAINTED TO MATCH COLOR & TEXTURE OF ADJOINING GROUND STORAGE TANK. SUBMIT SAMPLES OF TEXTURE AND COLOR FOR APPROVAL.

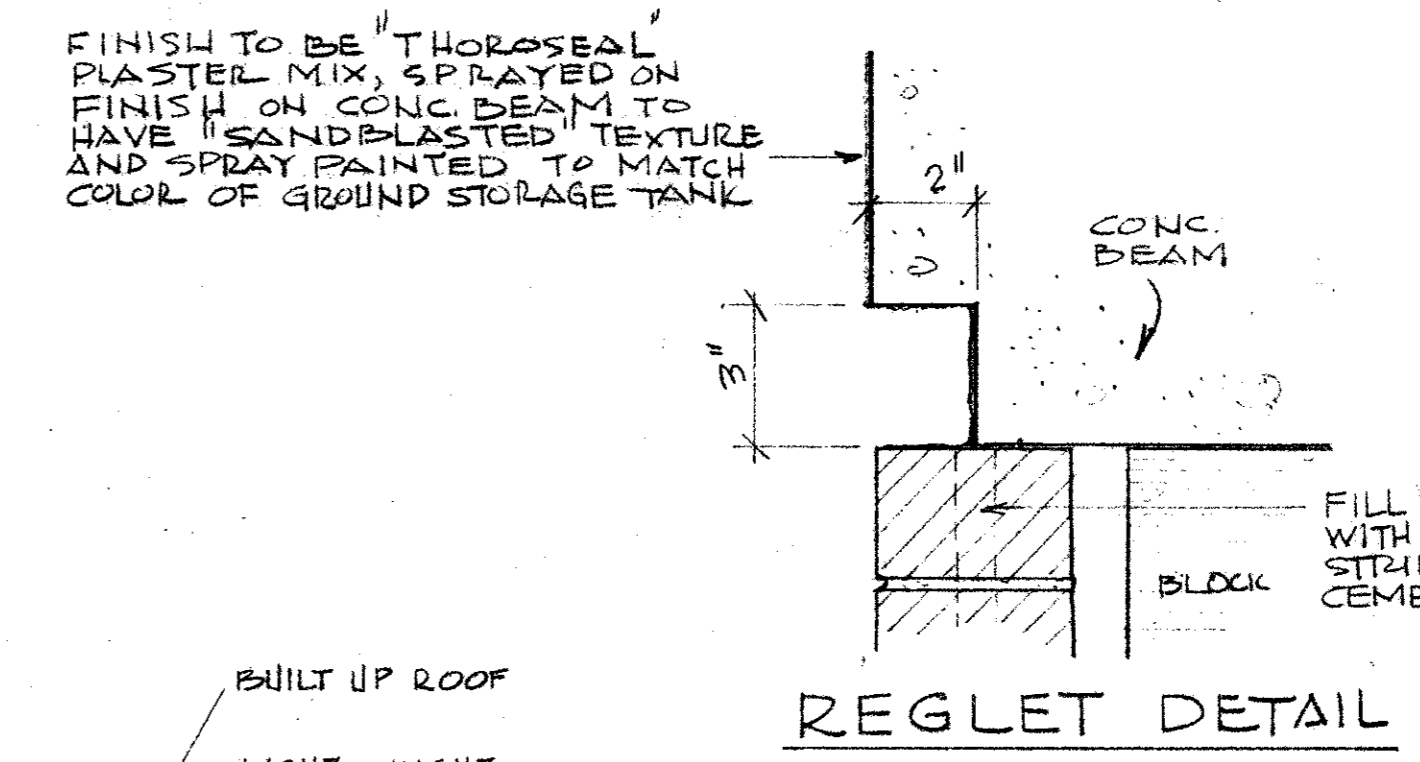


CITY OF ADDISON DALLAS COUNTY, TEXAS	
WATER PUMP STATION AND WATER MAINS	
PUMP STATION ELEVATIONS	
GINN & STACY, INC. CONSULTING ENGINEERS DALLAS, TEXAS	
DESIGNED BY: HWZ	SCALE: 1/4" = 1'-0"
DRAWN BY: GF	DATE: AUG. 77
Sheet 16 of 24	

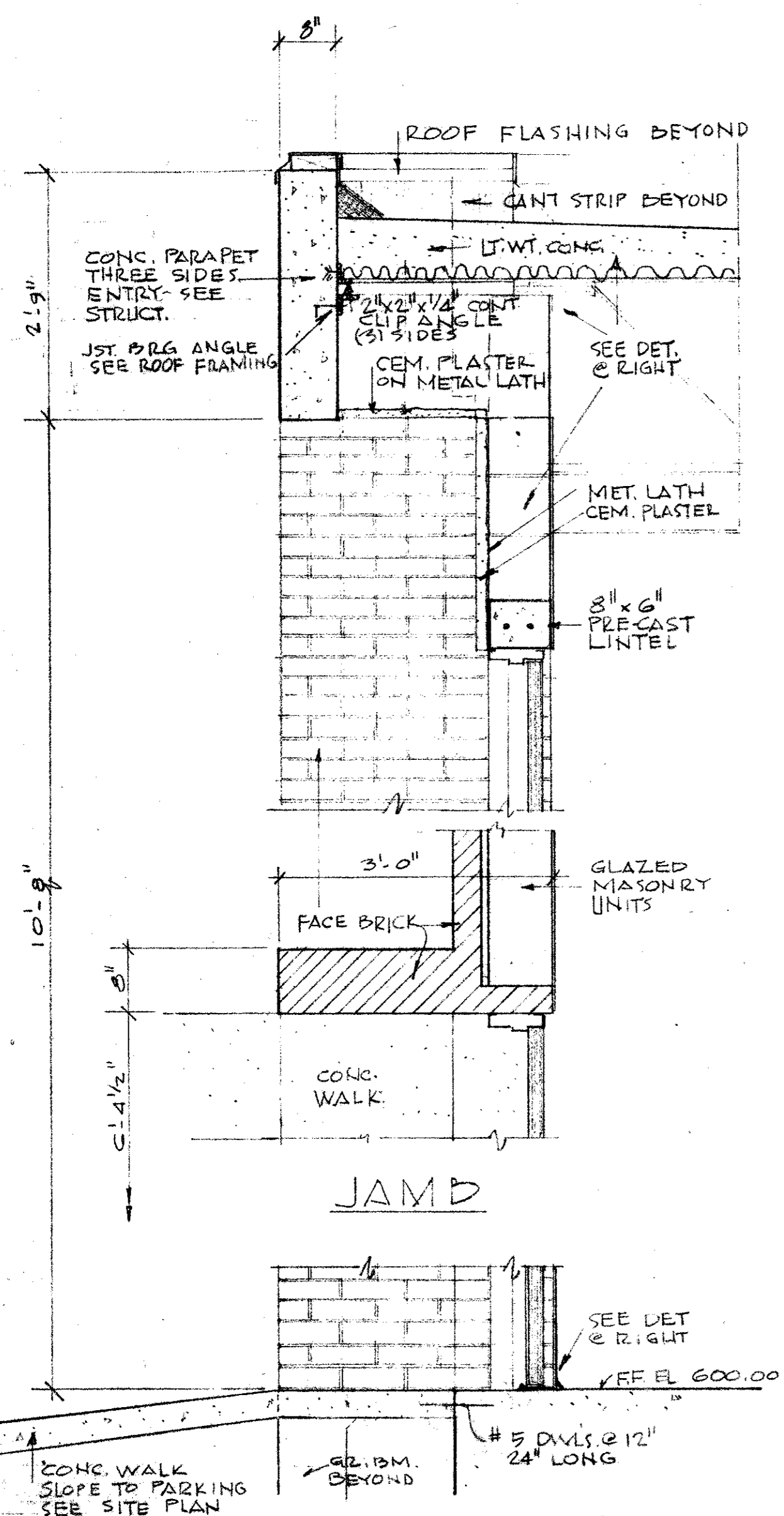




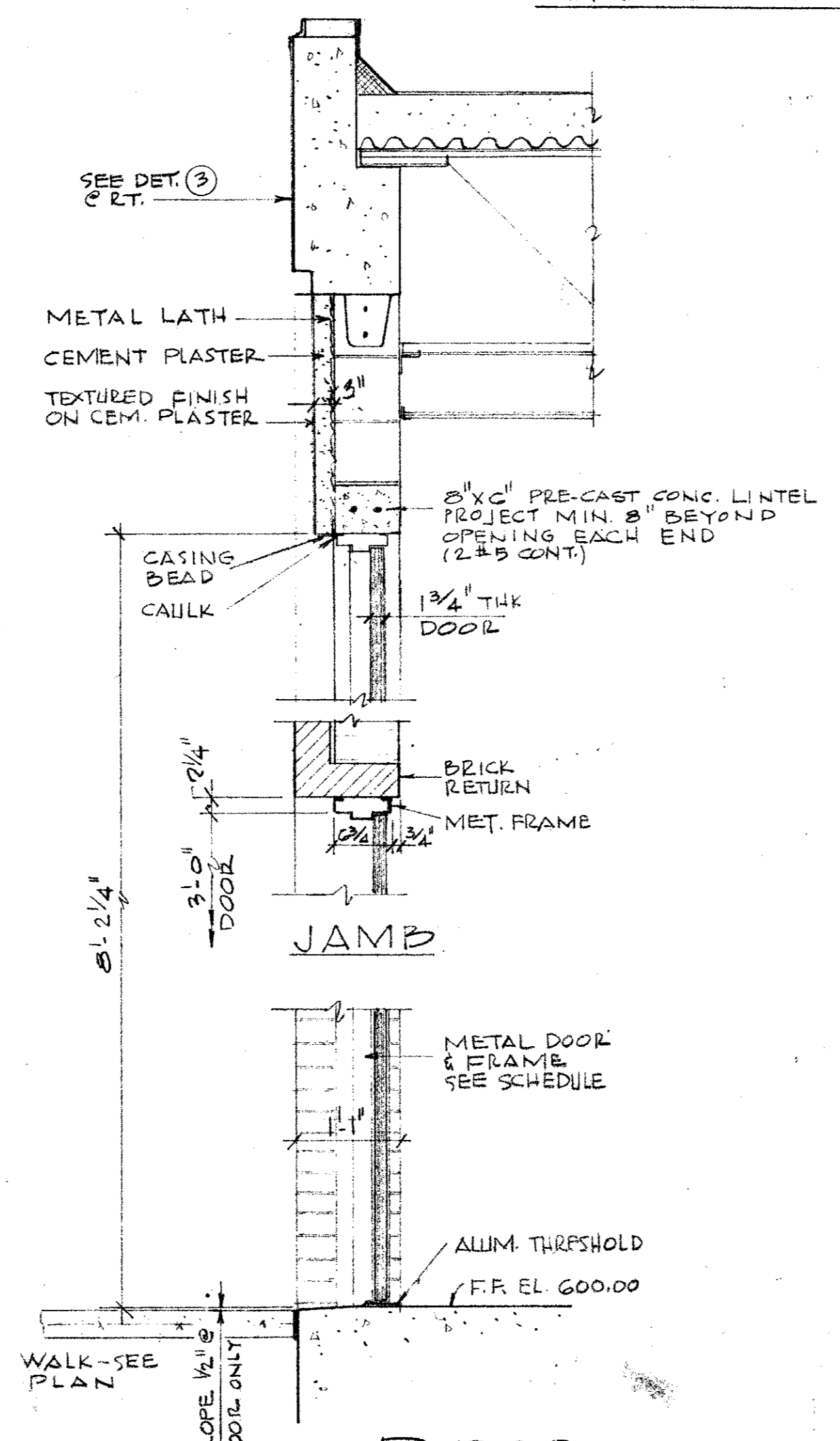
PARAPET FLASHING



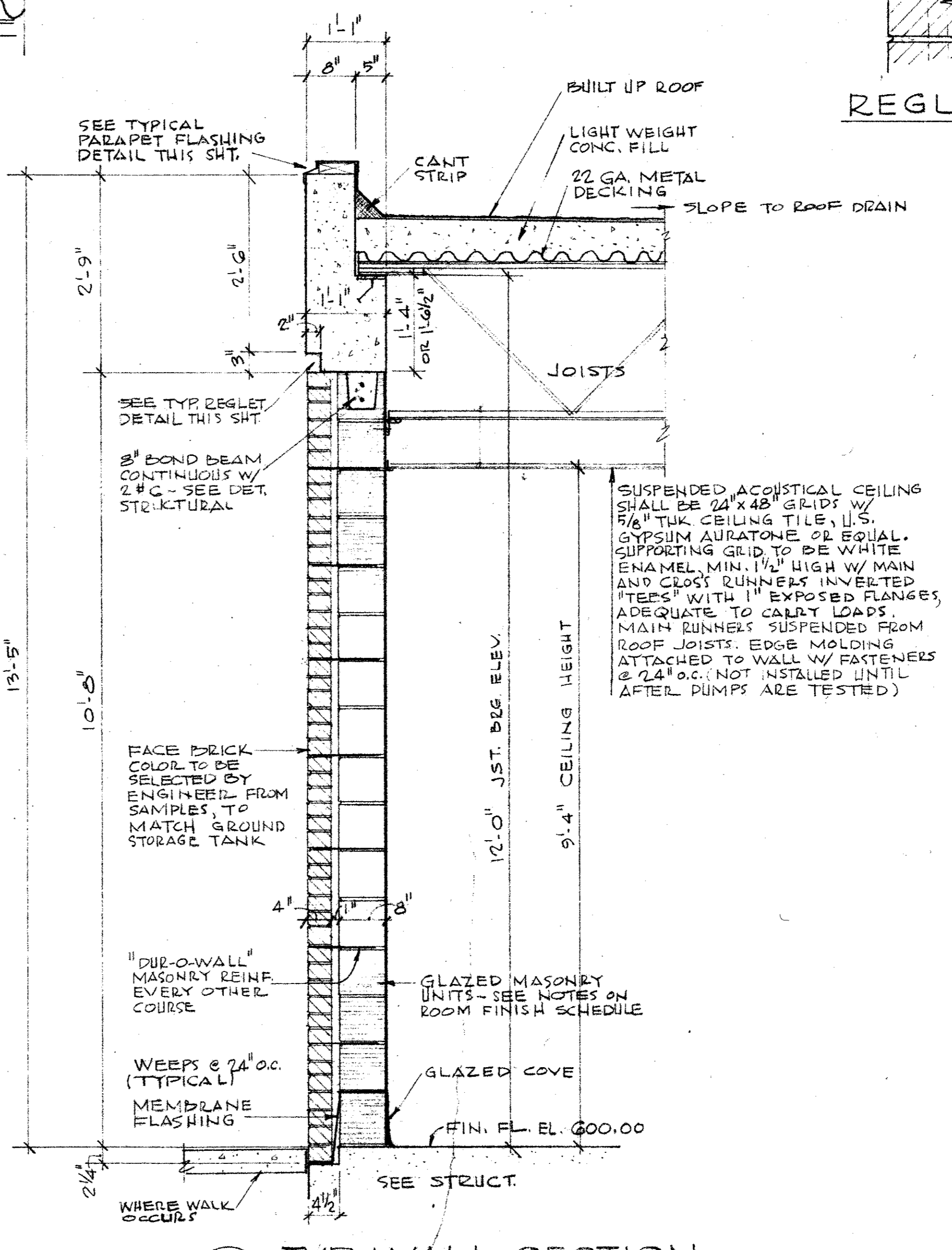
REGLET DETAIL



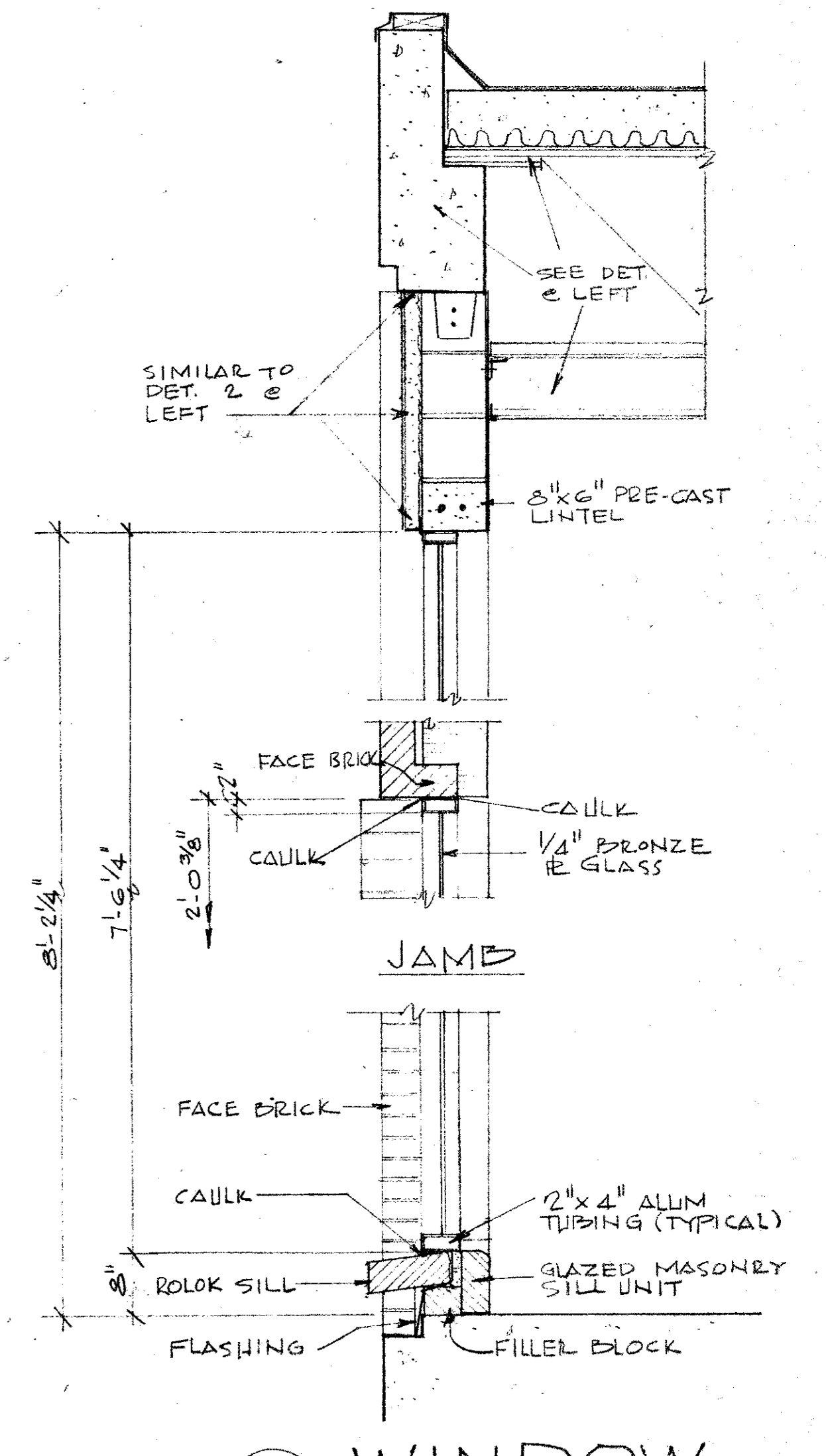
1 ENTRY  
SCALE: 3/4" = 1'-0"



2 DOOR  
SCALE: 3/4" = 1'-0"

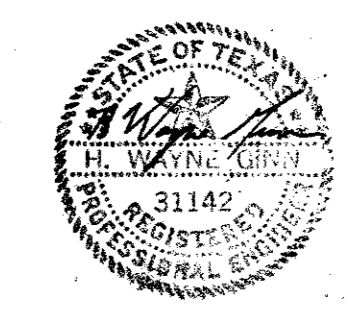


3 TYP. WALL SECTION  
SCALE: 3/4" = 1'-0"

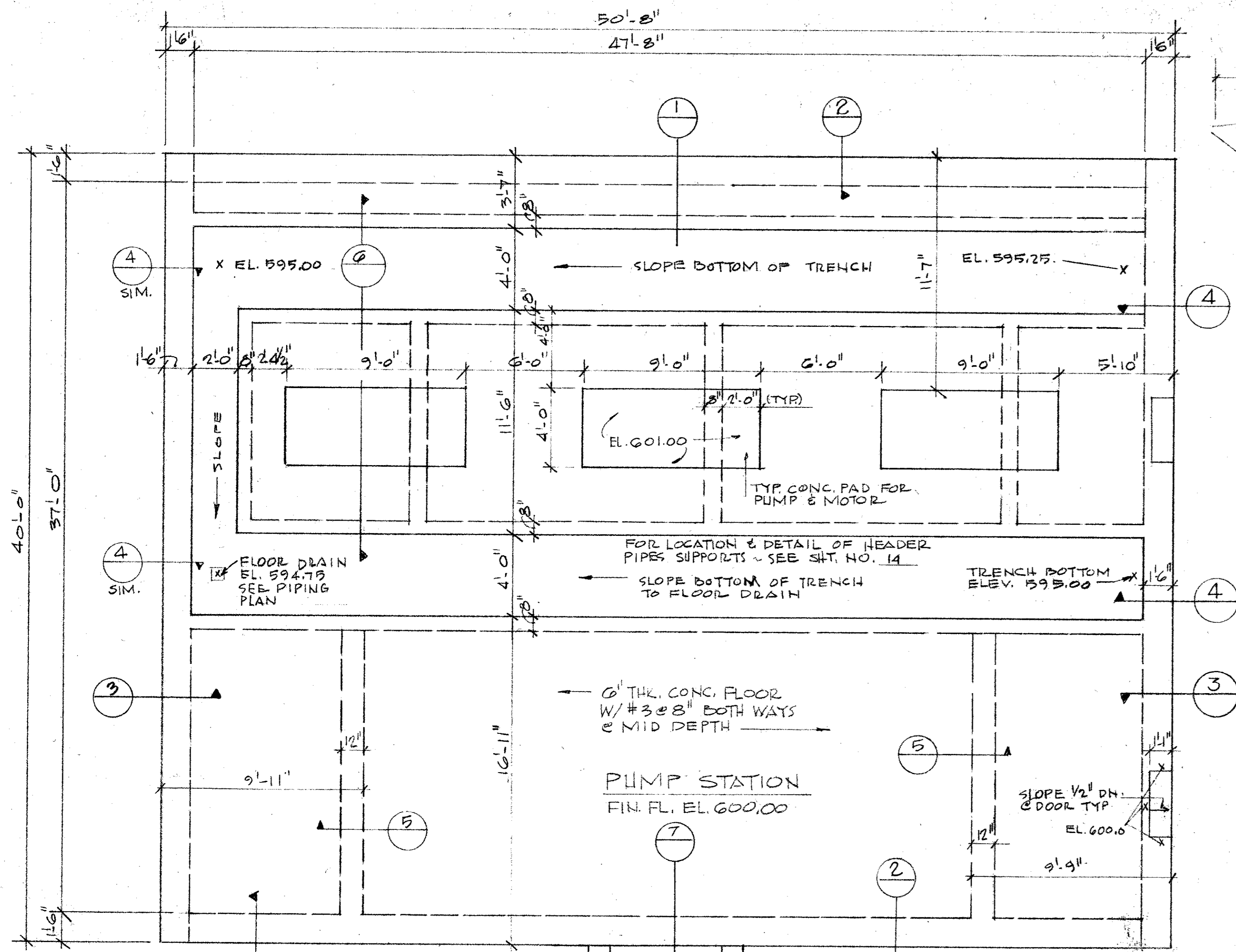


4 WINDOW  
SCALE: 3/4" = 1'-0"

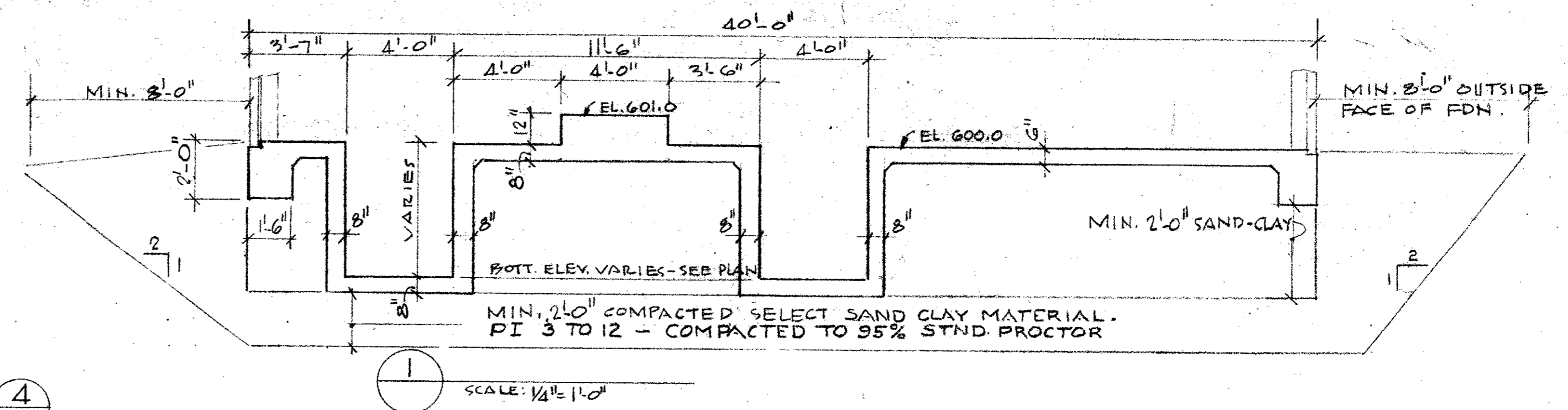
NOTE: ALL DETAIL, DIMENSIONS, NOTES ETC. INDICATED THIS SECTION SHALL APPLY TO ALL OTHER SECTIONS THIS SHEET UNLESS NOTED OTHERWISE.



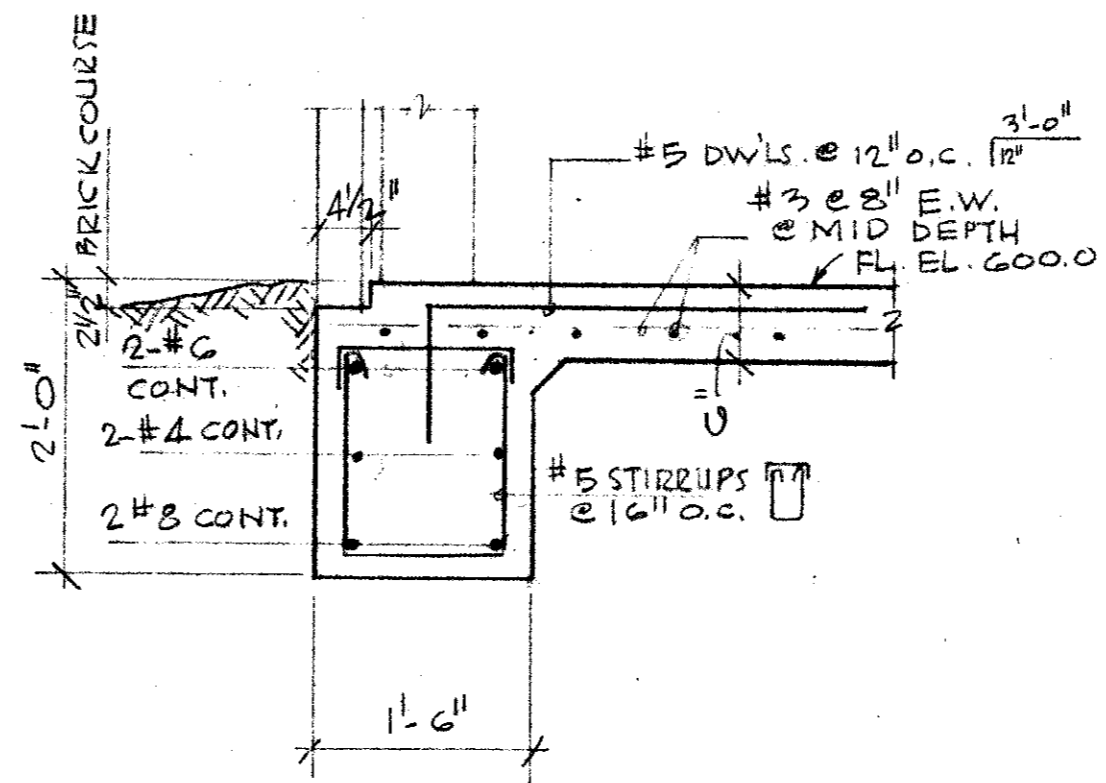
CITY OF ADDISON DALLAS COUNTY, TEXAS	
WATER PUMP STATION AND WATER MAINS	
WALL SECTIONS	
GINN & STACY, INC. CONSULTING ENGINEERS - DALLAS, TEXAS	
DESIGNED BY: <i>WNS</i>	SCALE: AS SHOWN
DRAWN BY: <i>CF</i>	DATE: AUG. 77
Sheet 17 of 24	



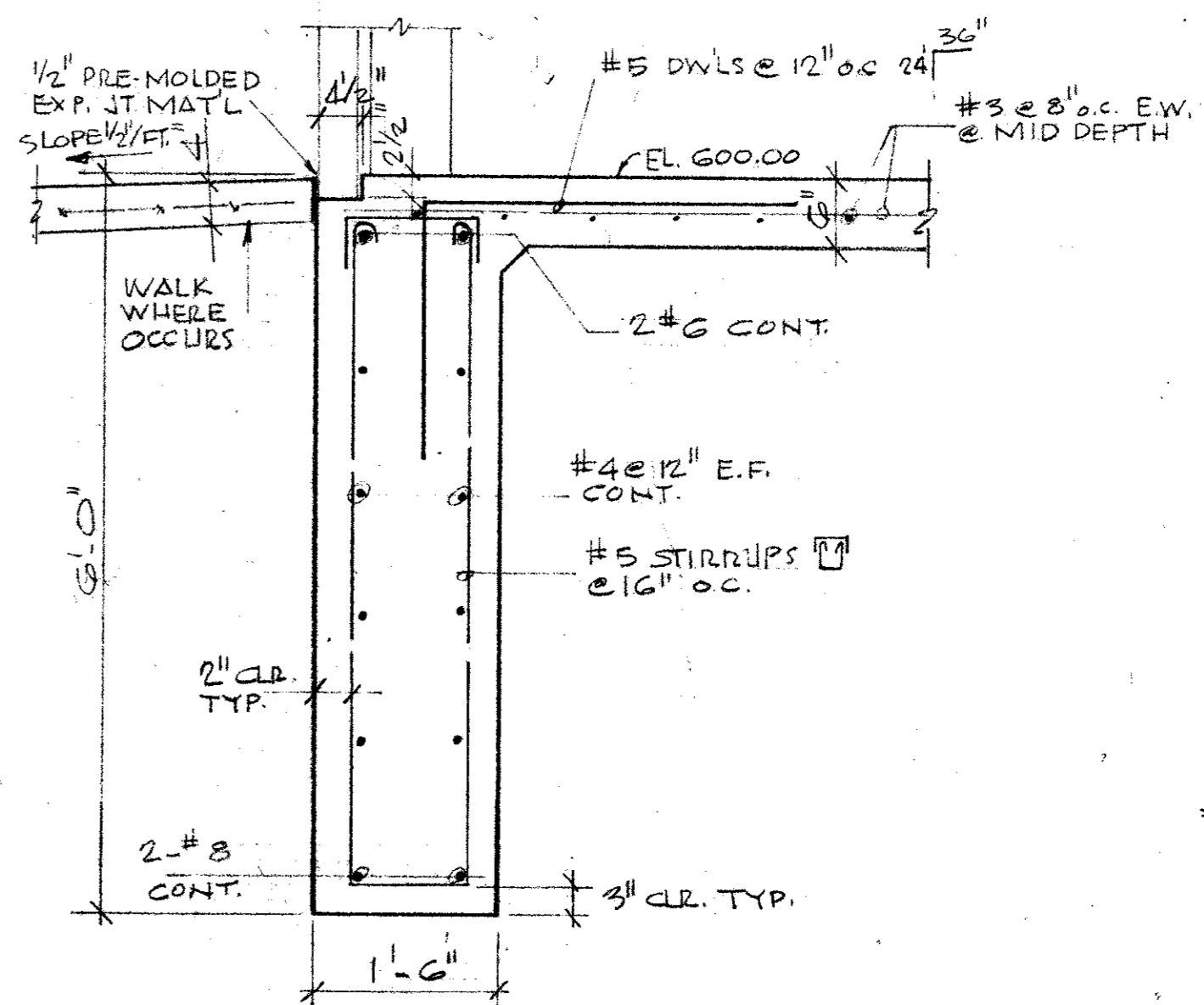
FOUNDATION PLAN - 1/4" = 1'-0"



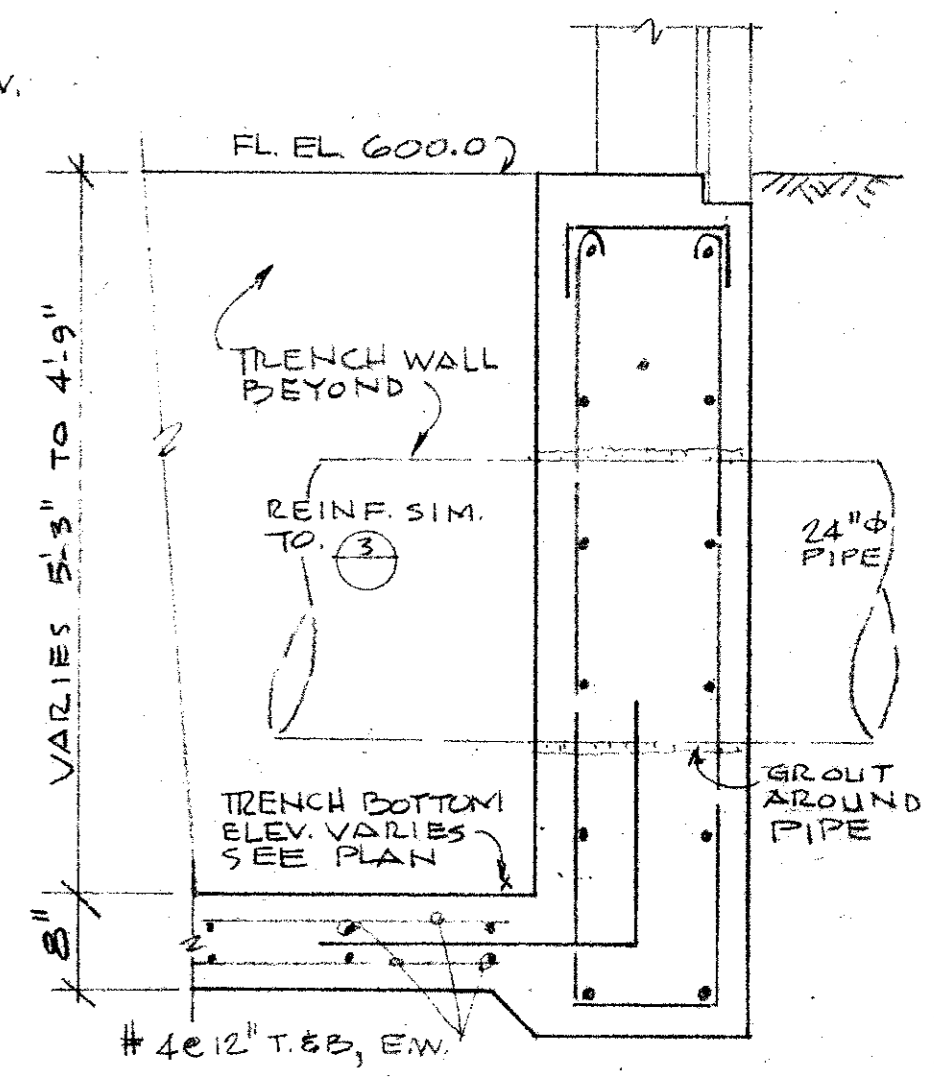
SCALE: 1/4" = 1'-0"



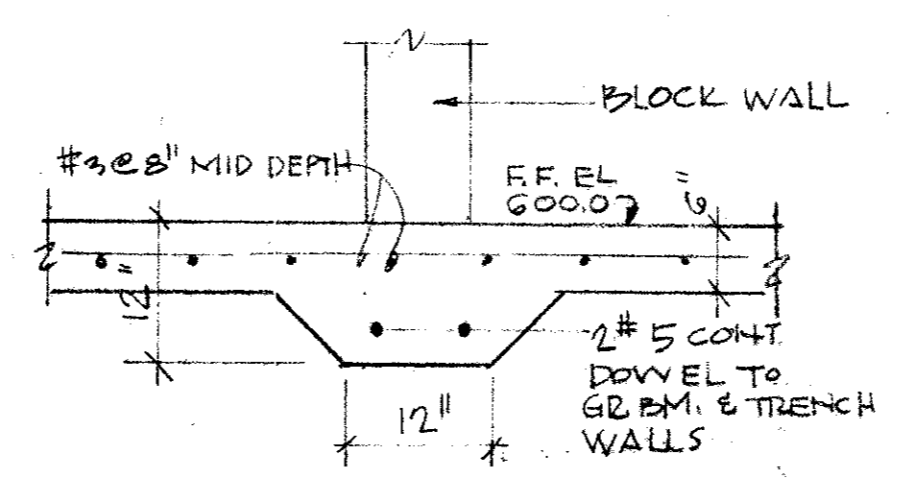
2 GR. BM. @ NORTH & SOUTH EXTERIOR WALLS SCALE: 3/4" = 1'-0"



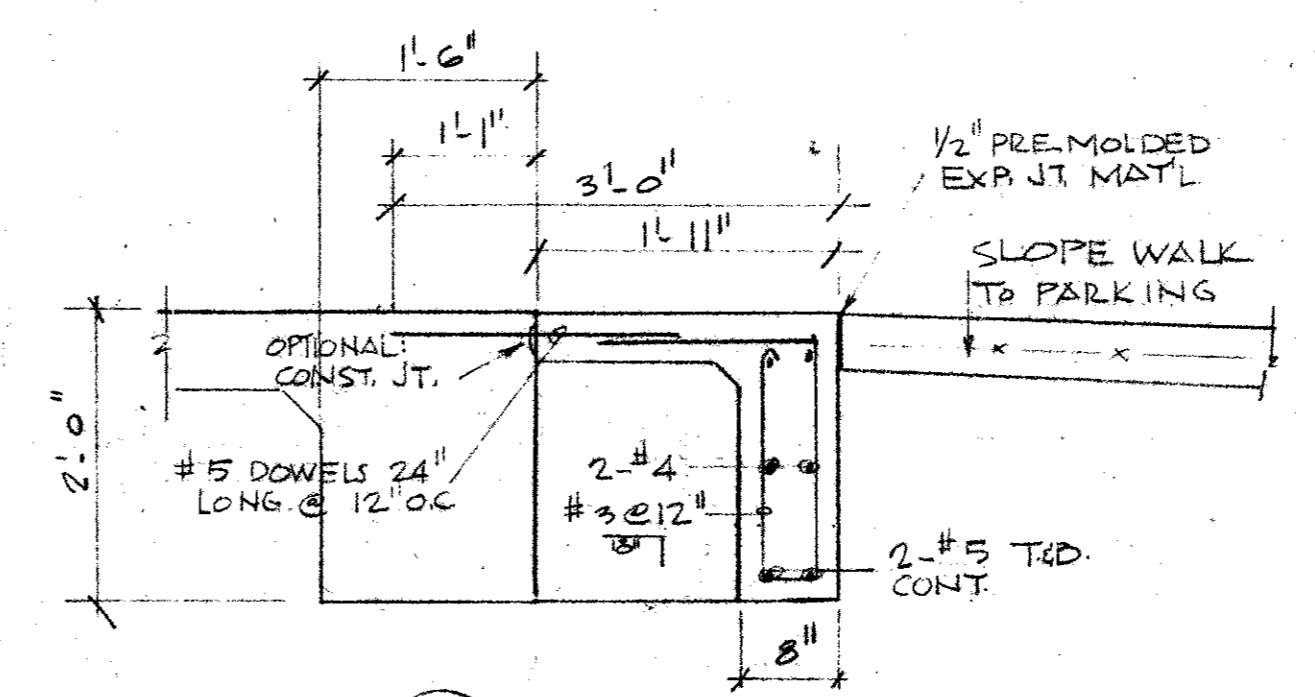
3 GR. BM. @ EAST & WEST EXTERIOR WALLS SCALE: 3/4" = 1'-0"



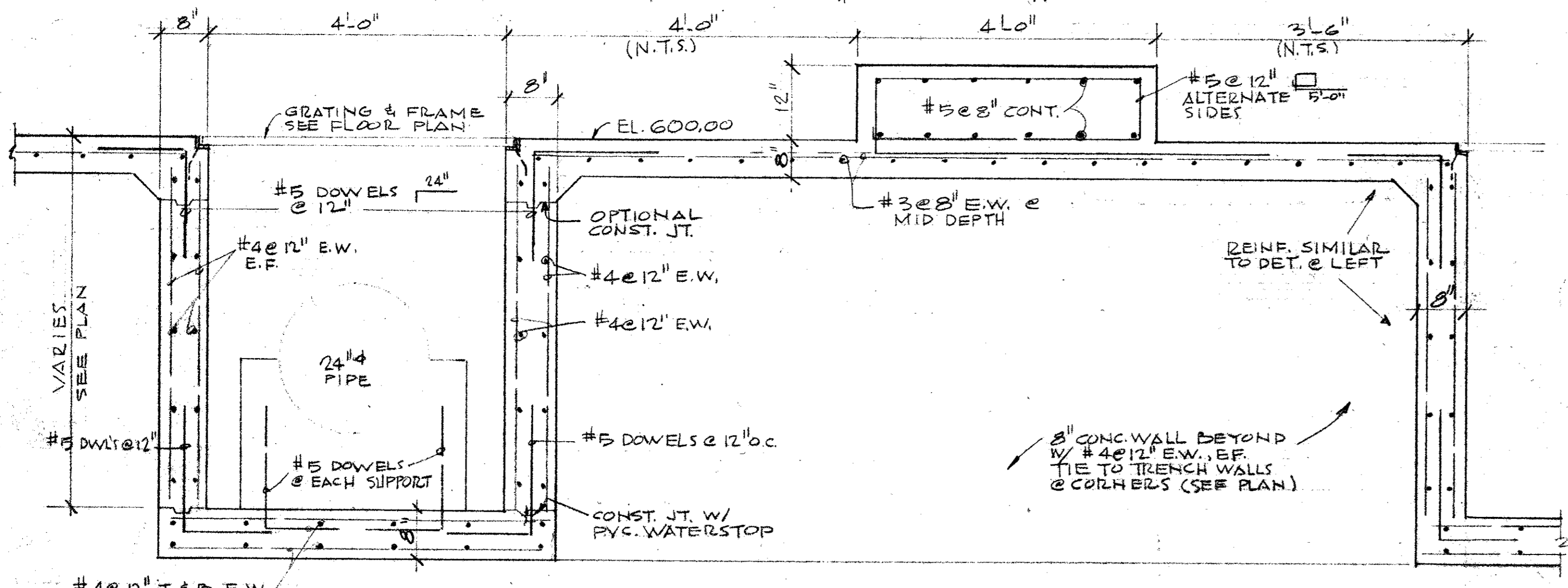
4 SCALE: 3/4" = 1'-0"



5 SCALE: 3/4" = 1'-0"



7 SCALE: 3/4" = 1'-0"



6 SCALE: 3/4" = 1'-0"

GENERAL NOTES

1. CONCRETE SHALL ATTAIN 28-DAY MIN. COMPRESSIVE STRENGTH OF 4000 P.S.I. FOR ALL STRUCTURAL CONC.
2. REINFORCING SHALL CONFORM TO A.S.T.M. A-615, GRADE 60.
3. PROVIDE ALL NECESSARY REINF. STEEL ACCESSORIES TO HOLD BARS IN PROPER POSITION.
4. REINF. TO BE DETAILED IN ACCORDANCE WITH ACI STANDARD 315.
5. PROVIDE CORNER BARS OF THE SAME SIZE & NUMBER AS HORIZONTAL BARS AT ALL CORNERS.
6. LAP ALL BARS 24 BAR DIAMETERS.

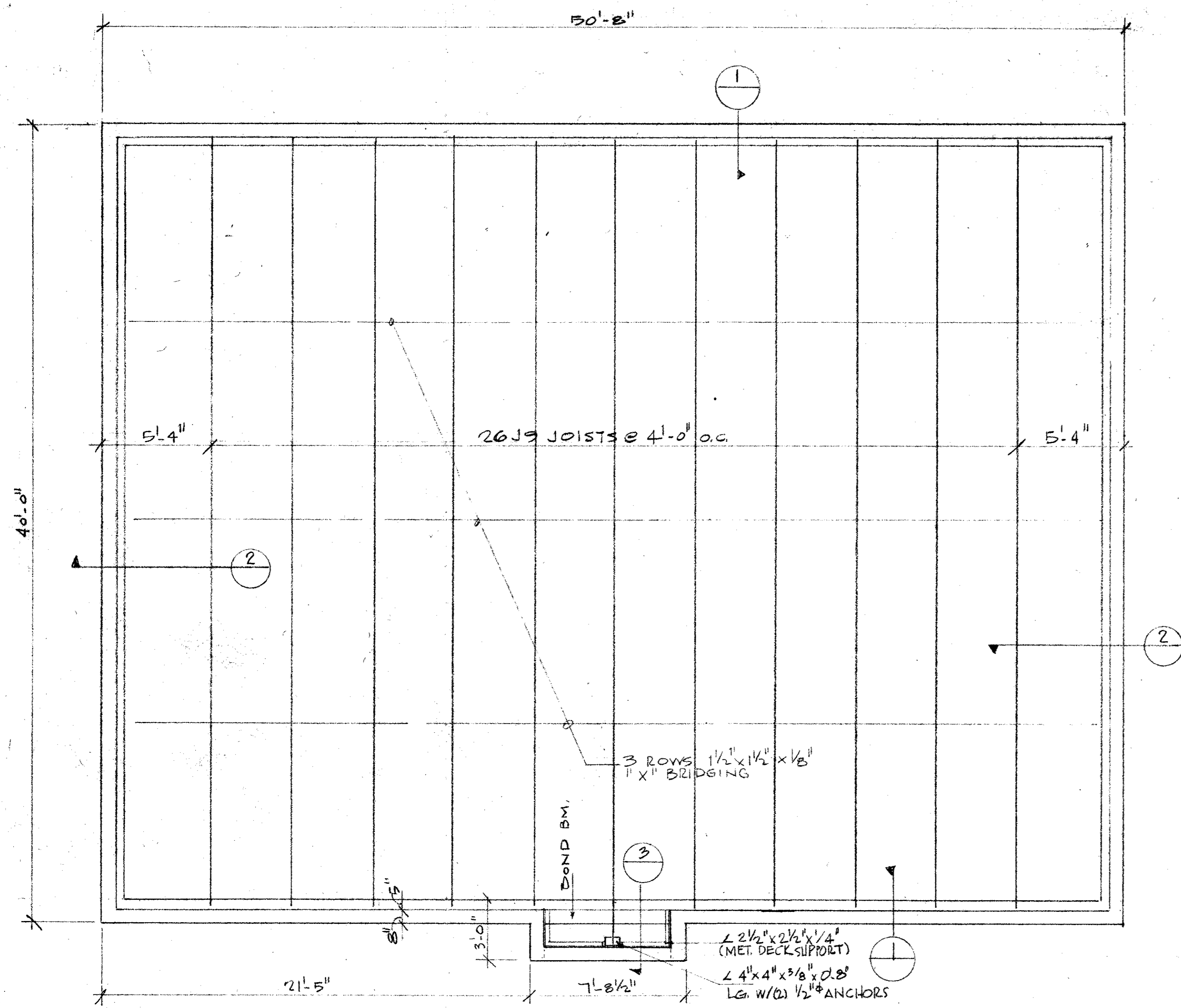


CITY OF ADDISON  
DALLAS COUNTY, TEXAS  
WATER PUMP STATION  
AND WATER MAINS

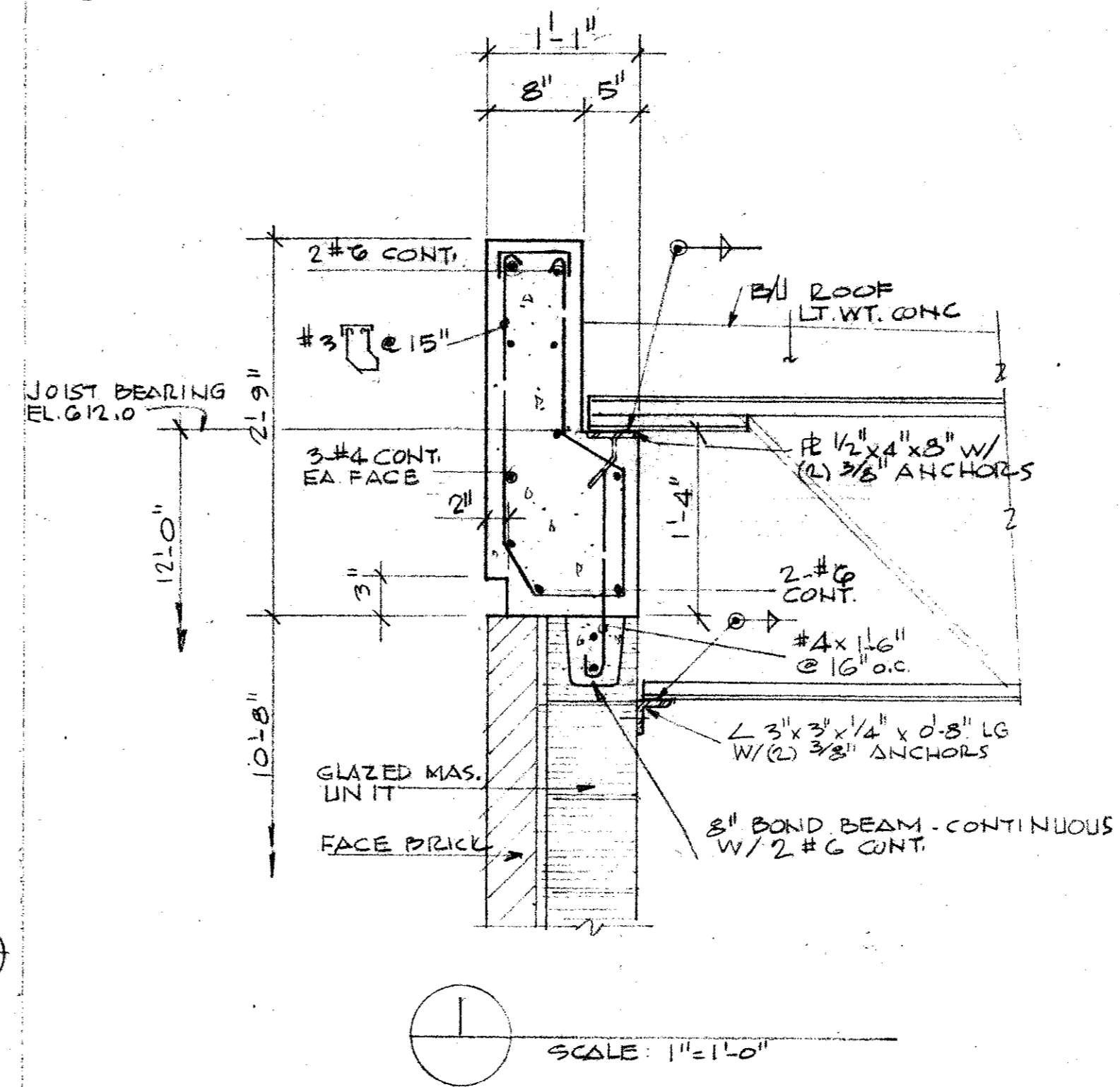
FOUNDATION PLAN & DETAILS

GINN & STACY, INC.  
CONSULTING ENGINEERS - DALLAS, TEXAS

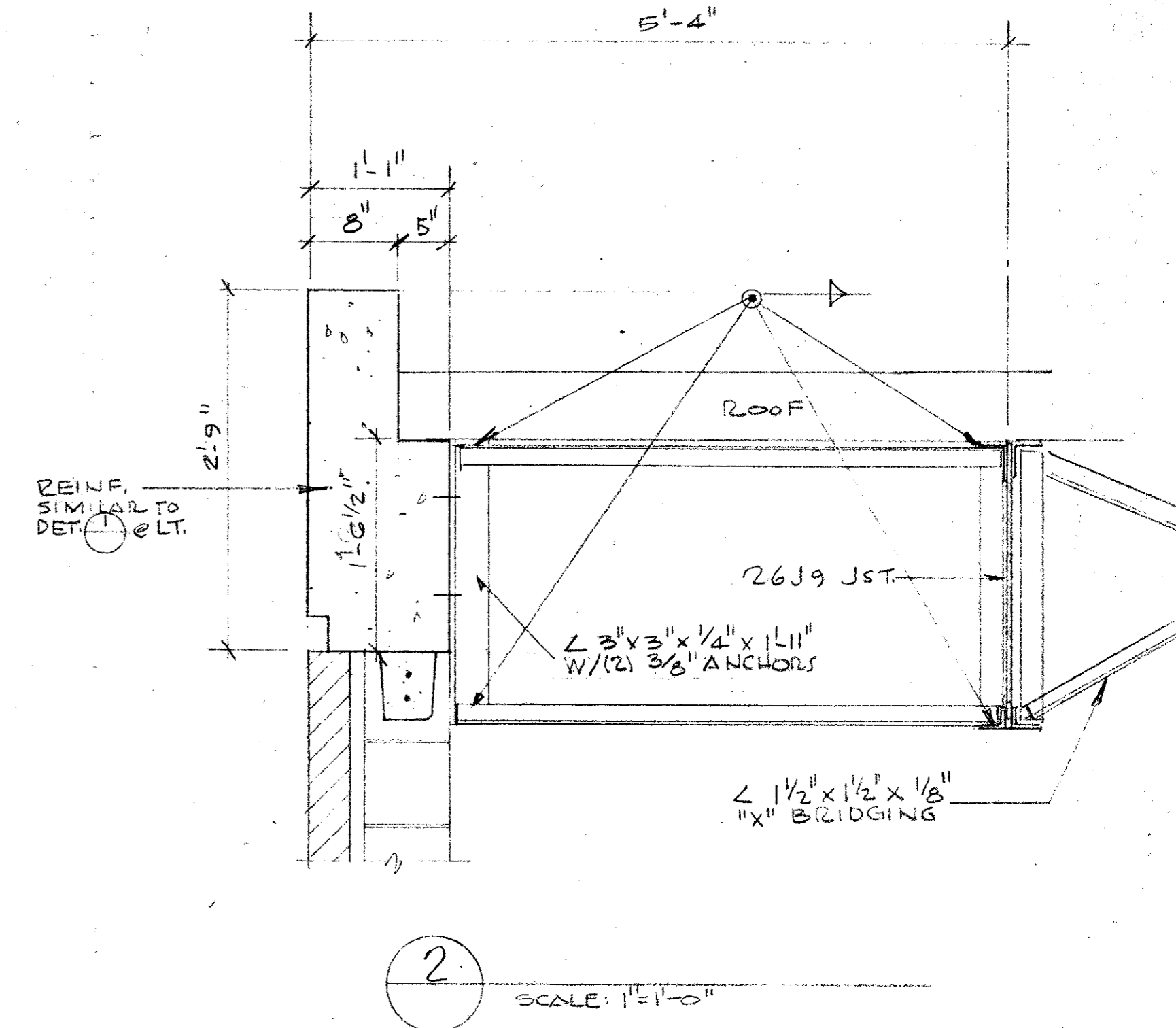
DESIGNED BY: *WVG* SCALE: *AS SHOWN* Sheet 18 of 24  
DRAWN BY: *GF* DATE: *AUG. 77*



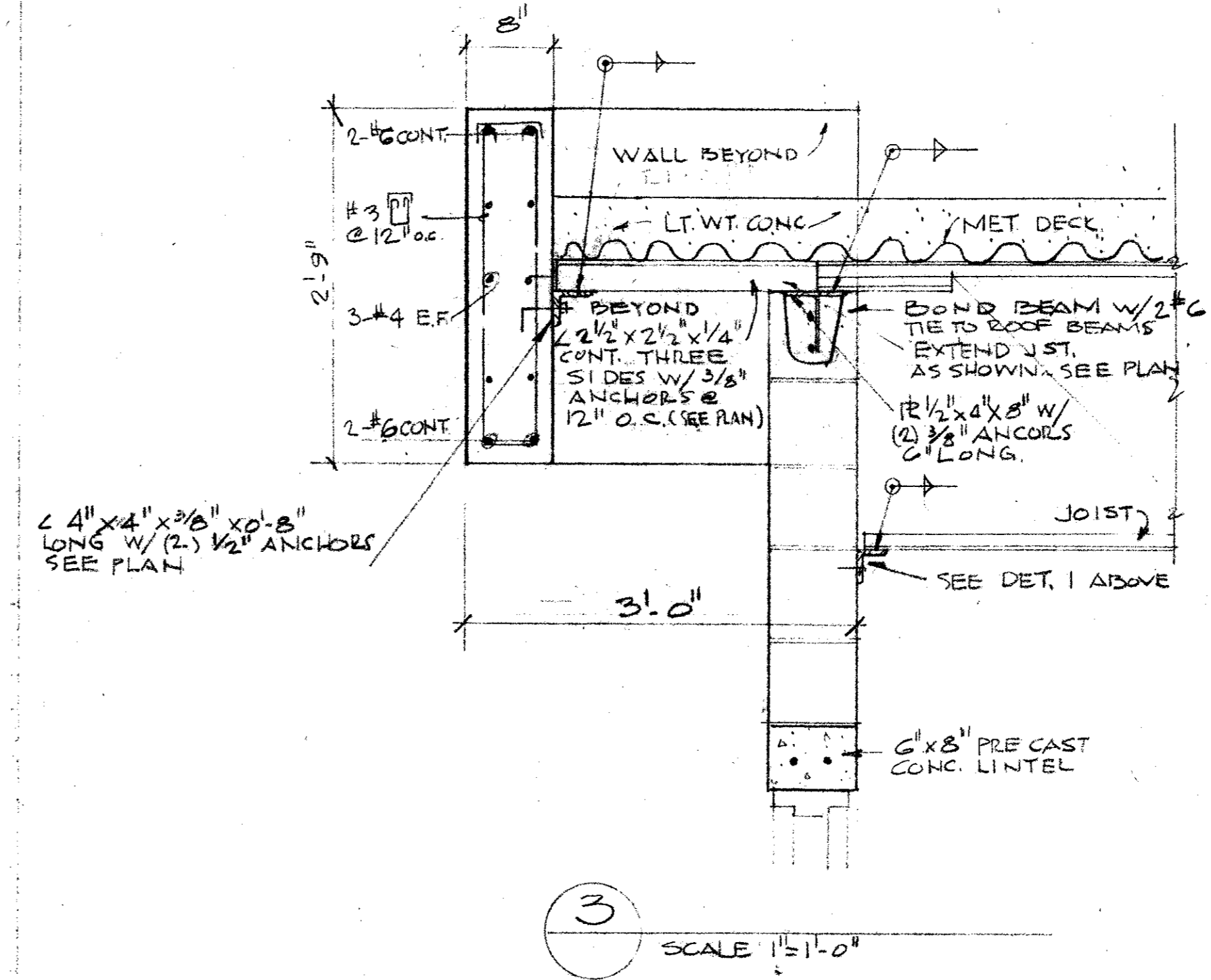
**ROOF FRAMING PLAN**  
SCALE: 1/4" = 1'-0"



SCALE: 1" = 1'-0"



SCALE: 1" = 1'-0"



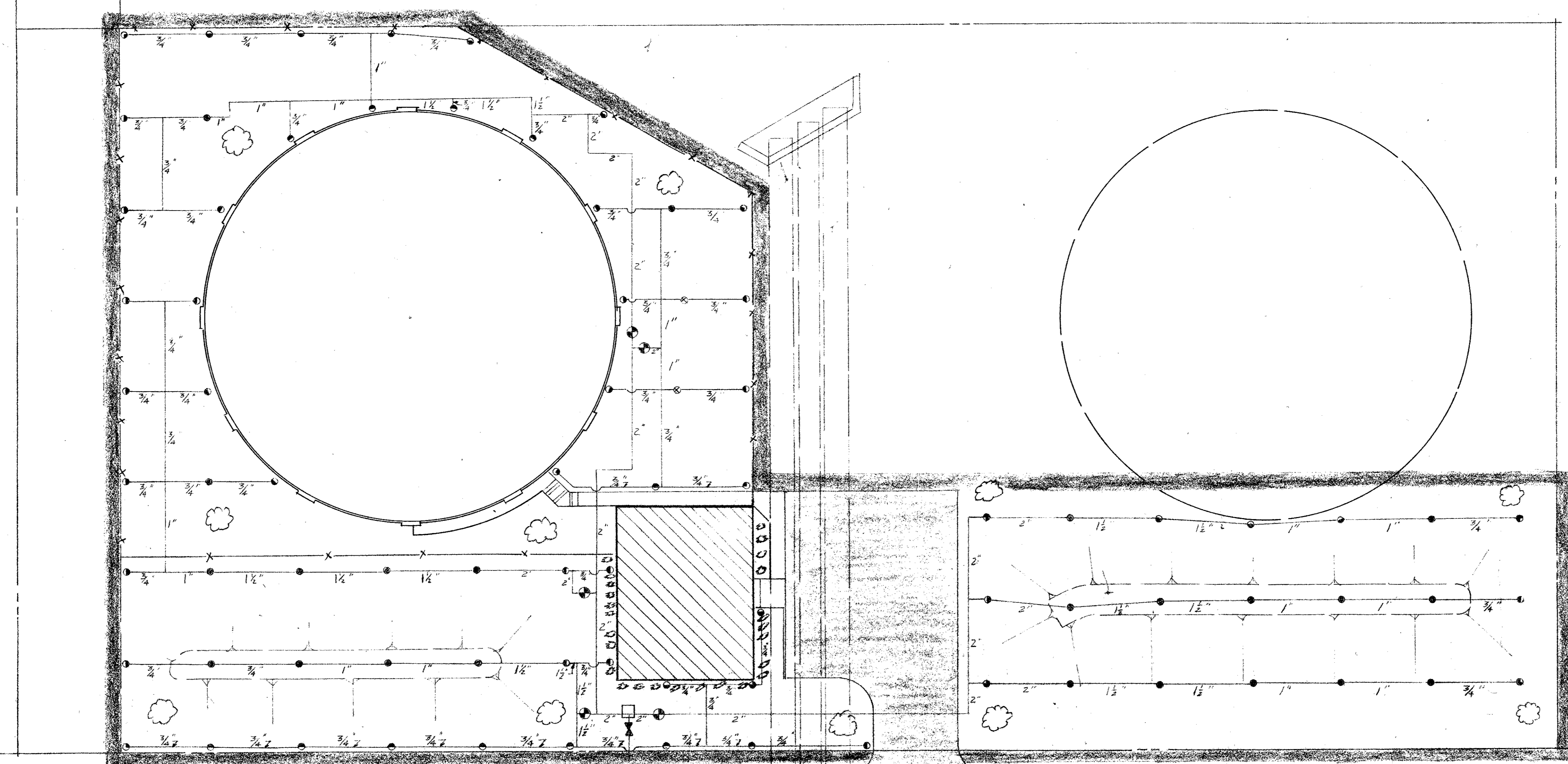
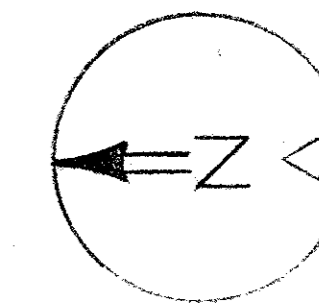
SCALE: 1" = 1'-0"

**GENERAL NOTES**

1. Structural Steel shall conform to ASTM specification A-36.
2. All connections for structural steel shall be sufficient to fully develop the connected members.
3. Bolts for structural steel shall be ASTM A-325 high-strength bolts.
4. Bar joists shall conform to the Standard specifications of the Steel Joist Institute.
5. Bridging for steel bar joist shall be as shown on the drawings, but in no case shall it be less than that specified by the Steel Joist Institute.
6. Extend bottom chord of all joists and connected to concrete block wall.



CITY OF ADDISON DALLAS COUNTY, TEXAS	
WATER PUMP STATION AND WATER MAINS	
ROOF FRAMING PLAN	
GINN & STACY, INC. CONSULTING ENGINEERS - DALLAS, TEXAS	
DESIGNED BY: <i>WVG</i>	SCALE: <i>AS SHOWN</i>
DRAWN BY: <i>GF</i>	DATE: <i>4.16.77</i>



LEGEND

- TORO 304-00-03
- TORO 308-00-03
- TORO 316-00-02
- TORO 316-00-03
- TORO 216-01-08
- TORO 176-51-01
- ⌘ FEBCO 710A VACUUM BREAKER

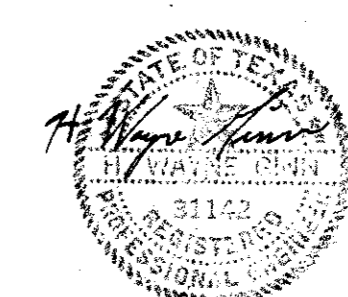
NOTE: OTHER MANUFACTURES OF EQUAL EQUIPMENT MAY BE USED WITH THE ENGINEERS APPROVAL.

- ☼ CRAPE MYRTLE TREE - 11 REQ'D
- ☼ DWARF BUFORD HOLLY - 25 REQ'D
- ▬ LIMITS OF GRASSED AREA

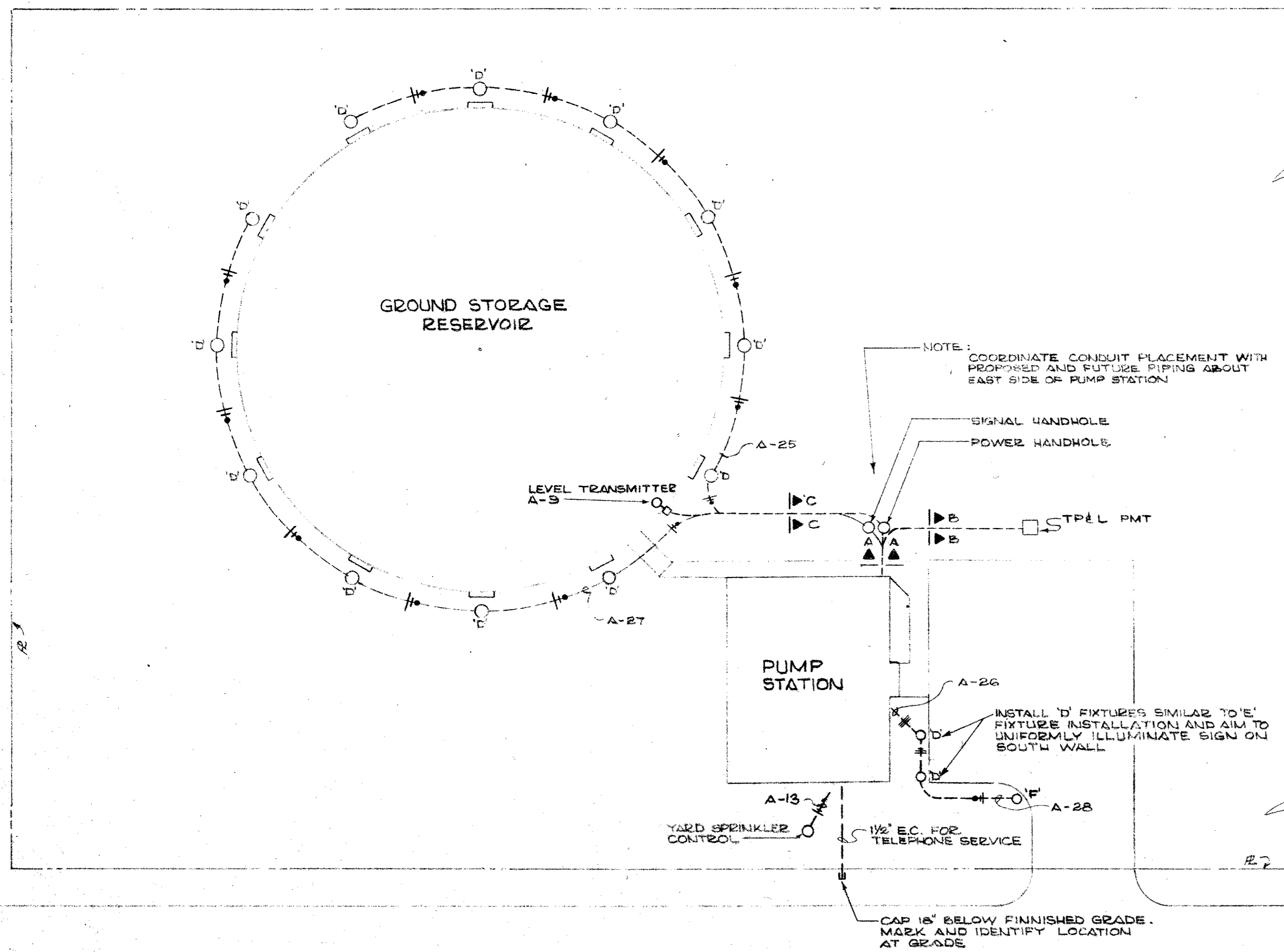
NOTE: COVER GRASSED AREA WITH 2" OF SANDY LOAM. GRASS TO CONSIST OF:  
GREEN SPRANGLETOP 4#/Ac.  
BERMUDA GRASS 8#/Ac.  
K. R. BLUESTEM 10#/Ac.  
FERTILIZE WITH 16-20-0, 400#/Ac.  
MULCH - 1/2 TONS/Ac. W/ ASPHALT CONTENT OF 0.10 GAL/YD<sup>2</sup>.

SURVEYOR BLVD.

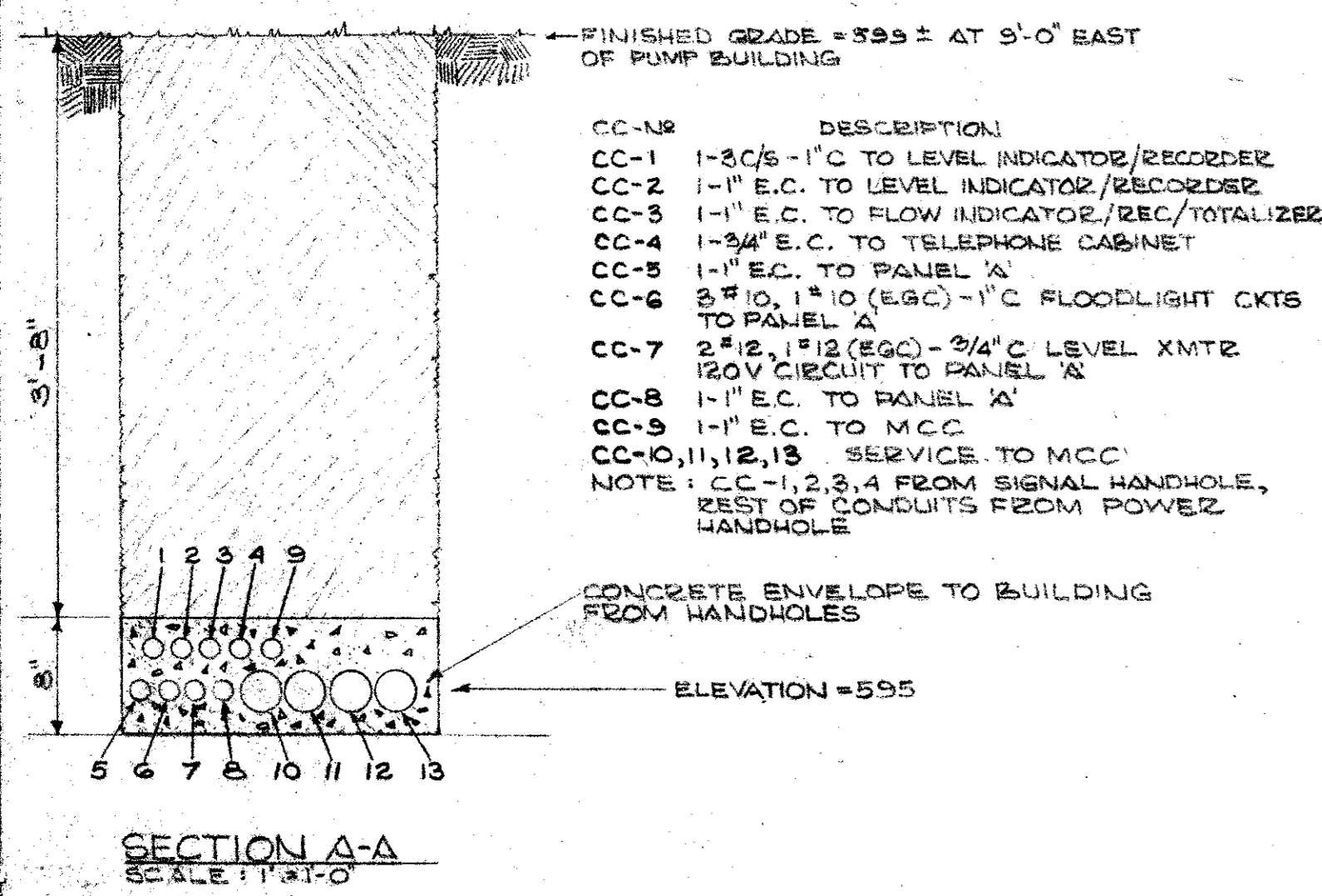
NOTE: SPRINKLER CONTROL TO BE LOCATED INSIDE PUMP STATION BLDG.



CITY OF ADDISON DALLAS COUNTY, TEXAS
WATER PUMP STATION AND WATER MAINS
LANDSCAPE PLAN
GINN & STACY, INC. CONSULTING ENGINEERS - DALLAS, TEXAS
DESIGNED BY: HWG SCALE: 1"=20' Sheet 20 of 24
DRAWN BY: JOE DATE: AUG 1922

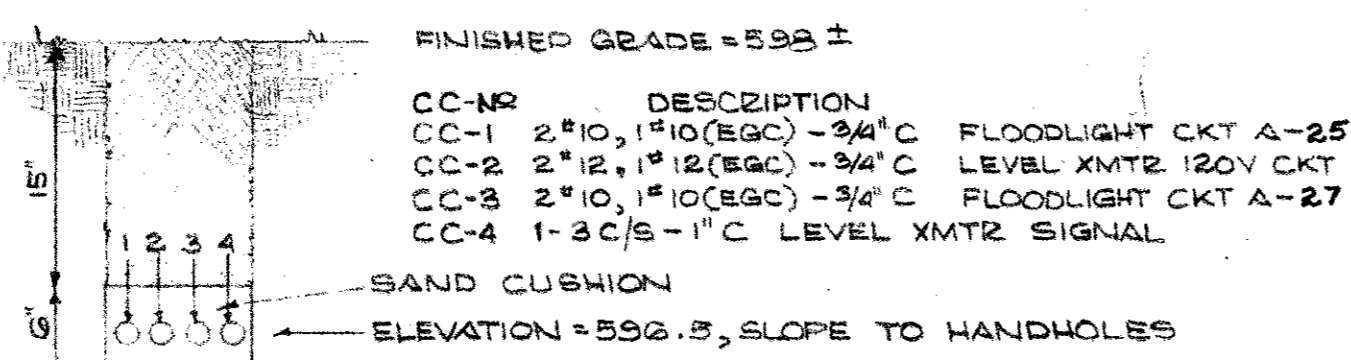


**SITE PLAN**  
SCALE: 1" = 20'-0"

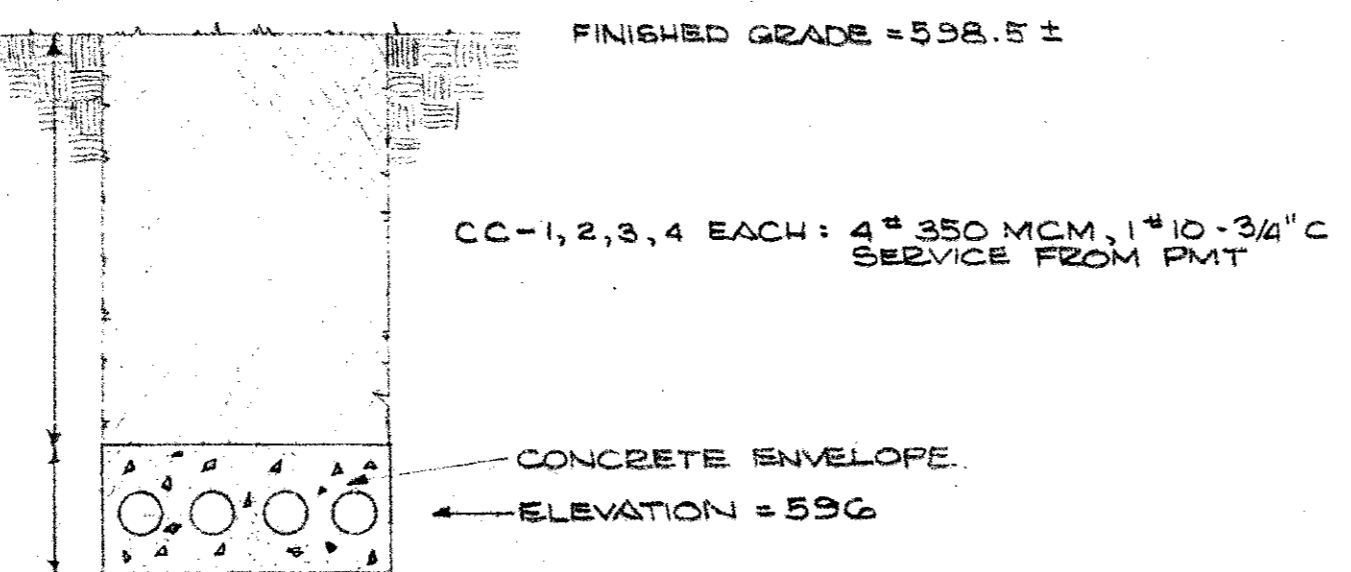


CC-NR	DESCRIPTION
CC-1	1-3/8" E.C. TO LEVEL INDICATOR/RECORDER
CC-2	1-1" E.C. TO LEVEL INDICATOR/RECORDER
CC-3	1-1" E.C. TO FLOW INDICATOR/REC/TOTALIZER
CC-4	1-3/4" E.C. TO TELEPHONE CABINET
CC-5	1-1" E.C. TO PANEL 'A'
CC-6	3 # 10, 1" E.C. TO PANEL 'A'
CC-7	2 # 12, 1" E.C. TO PANEL 'A'
CC-8	1-1" E.C. TO PANEL 'A'
CC-9	1-1" E.C. TO M.C.C.
CC-10, 11, 12, 13	SERVICE TO M.C.C.

NOTE: CC-1, 2, 3, 4 FROM SIGNAL HANDHOLE, REST OF CONDUITS FROM POWER HANDHOLE

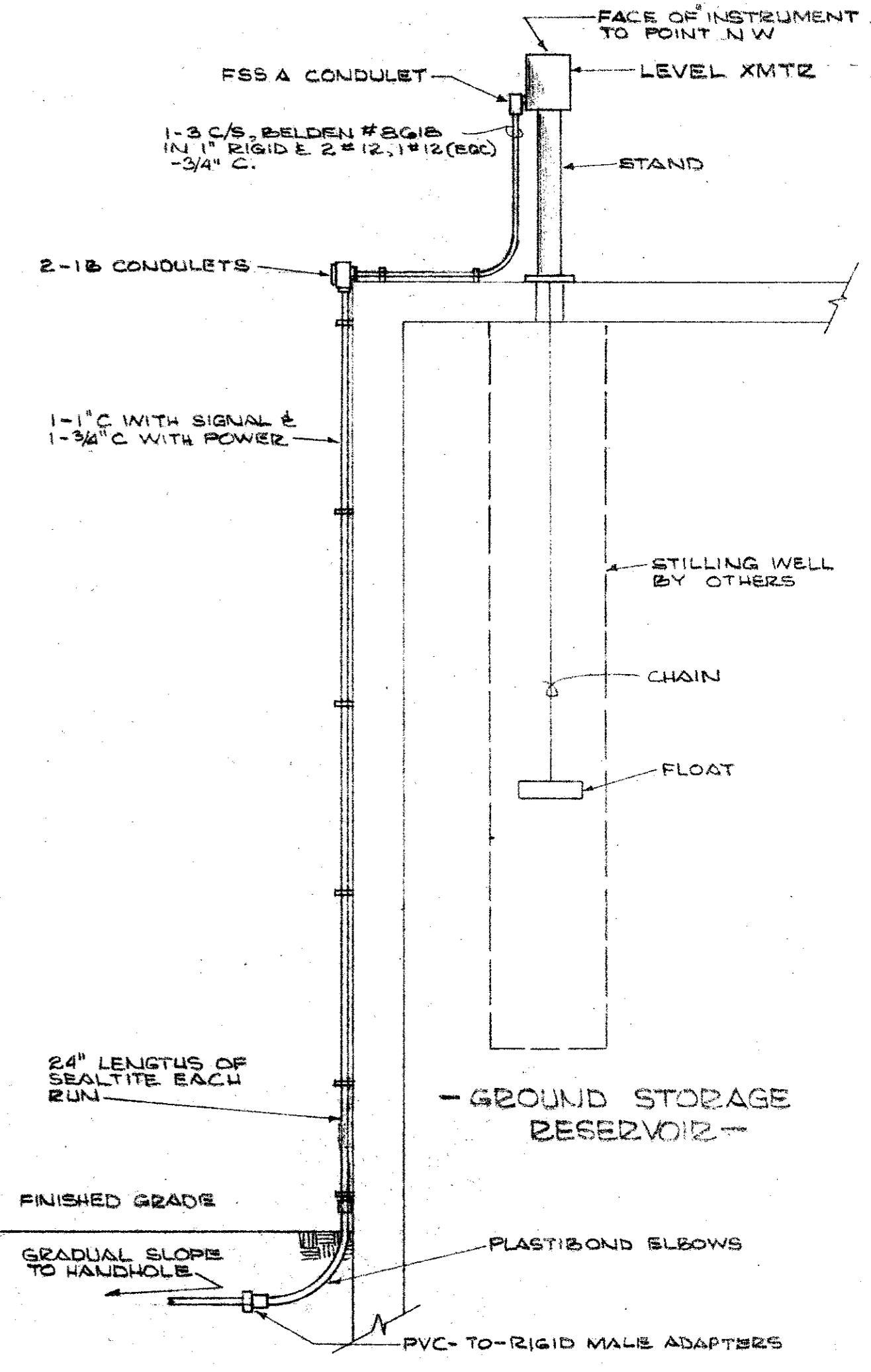


**SECTION C-C**  
SCALE: 1" = 1'-0"

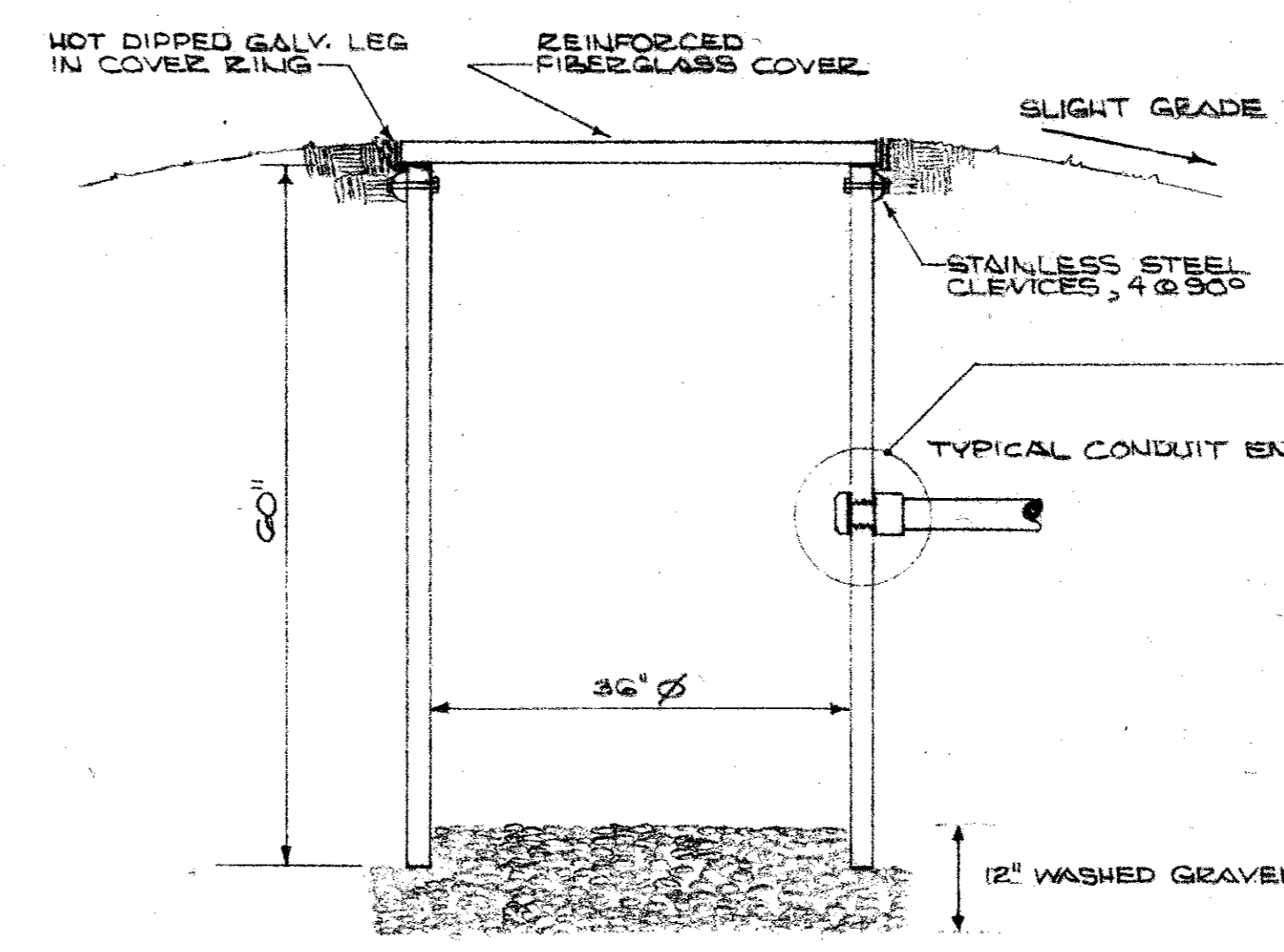


**SECTION B-B**  
SCALE: 1" = 1'-0"

LEGEND	
SYMBOL	DESCRIPTION
—+—	ELECTRICAL CONDUIT WITH NEUTRAL, HOT OR SWITCH, EGC
○	FLUORESCENT LIGHT FIXTURE
○	INCANDESCENT OR MERCURY VAPOR LIGHT FIXTURE
S	SINGLE POLE SWITCH
SM	MANUAL MOTOR STARTER
S3	THREE WAY SWITCH
---	UNDERGROUND CONDUIT RUN
▶	TELEPHONE OUTLET
⊙	JUNCTION BOX
⊕	DUPLEX RECEPTACLE
⊕	TRANSFORMER
WP	WEATHERPROOF
⊗	CONTACTOR
⊗	MOTOR CONTROLLER
⊗	MOTOR
⊕	DISCONNECT SWITCH
MCP	MOTOR CIRCUIT PROTECTOR
EGC	EQUIPMENT GROUND CONDUCTOR
LS	LIMIT SWITCH
SS	STOP/START PUSHBUTTON
RPD	REMOTE PILOT DEVICE
HOA	HAND-OFF-AUTOMATIC SELECTOR SWITCH
V	VOLTMETER
VS	VOLTMETER PHASE SELECTOR SWITCH
A	AMMETER
AS	AMMETER PHASE SELECTOR SWITCH
T	THERMOSTAT
FVNR	FULL VOLTAGE NON REVERSING
EC	EMPTY CONDUIT
ECV	ELECTRIC CHECK VALVE
GFI	GROUND FAULT INTERRUPTER
APF	ABOVE FINISHED FLOOR
Sp	SINGLE POLE SWITCH W/PILOT LIGHT
LPU	LIGHTNING PROTECTION UNIT
BFP	BLOWN FUSE PROTECTION
— —	LIGHTNING ARRESTER
— —	SURGE CAPACITOR

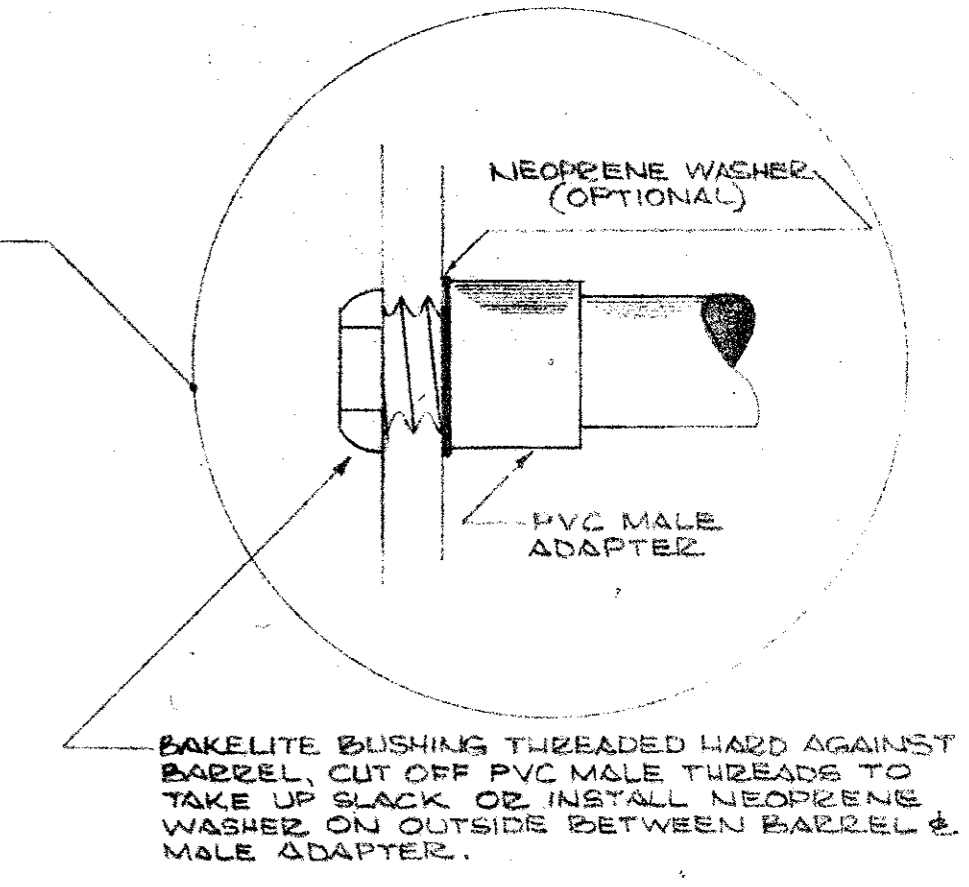


**LEVEL TRANSMITTER INSTALLATION DETAIL**  
SCALE: 3/8" = 1'-0"



**TYPICAL HANDHOLE**  
NOT TO SCALE

- NOTES:
- SERVICE CABLES SHALL BYPASS POWER HANDHOLE
  - LABEL EACH SET OF WIRES IN EACH HANDHOLE WITH THEIR FUNCTION WRITTEN ON T & B WATER PROOF LABEL USE WP INK
  - SLOPE CONDUITS WITH GRADUAL, UNIFORM GRADE TO HANDHOLE



CITY OF ADDISON  
DALLAS COUNTY, TEXAS

WATER PUMP STATION  
AND WATER MAINS

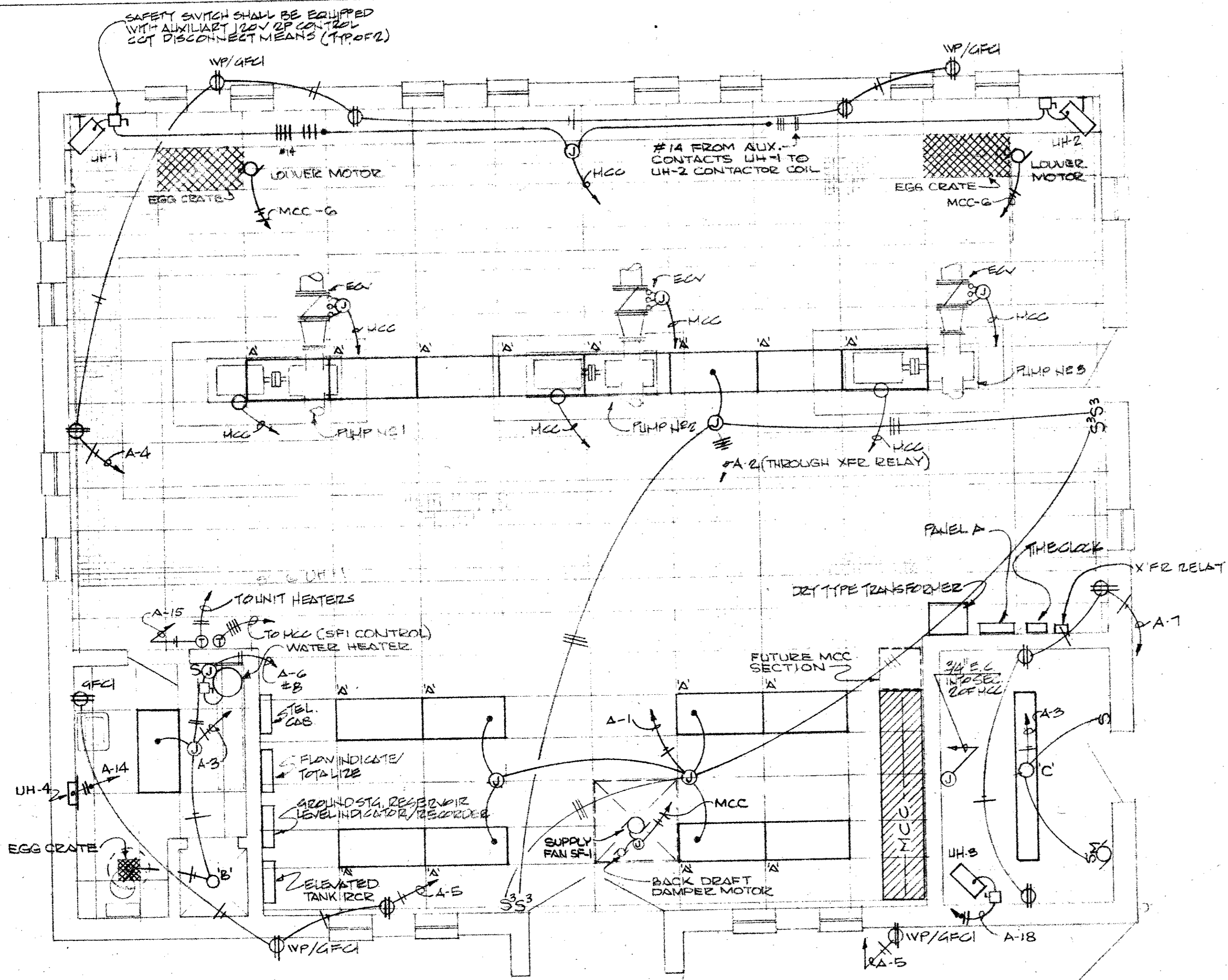
**ELECTRICAL**

GINN & STACY, INC.  
CONSULTING ENGINEERS — DALLAS, TEXAS

DESIGNED BY: WJC SCALE: AS NOTED  
DRAWN BY: WJC DATE: \_\_\_\_\_

Sheet 21 of 24





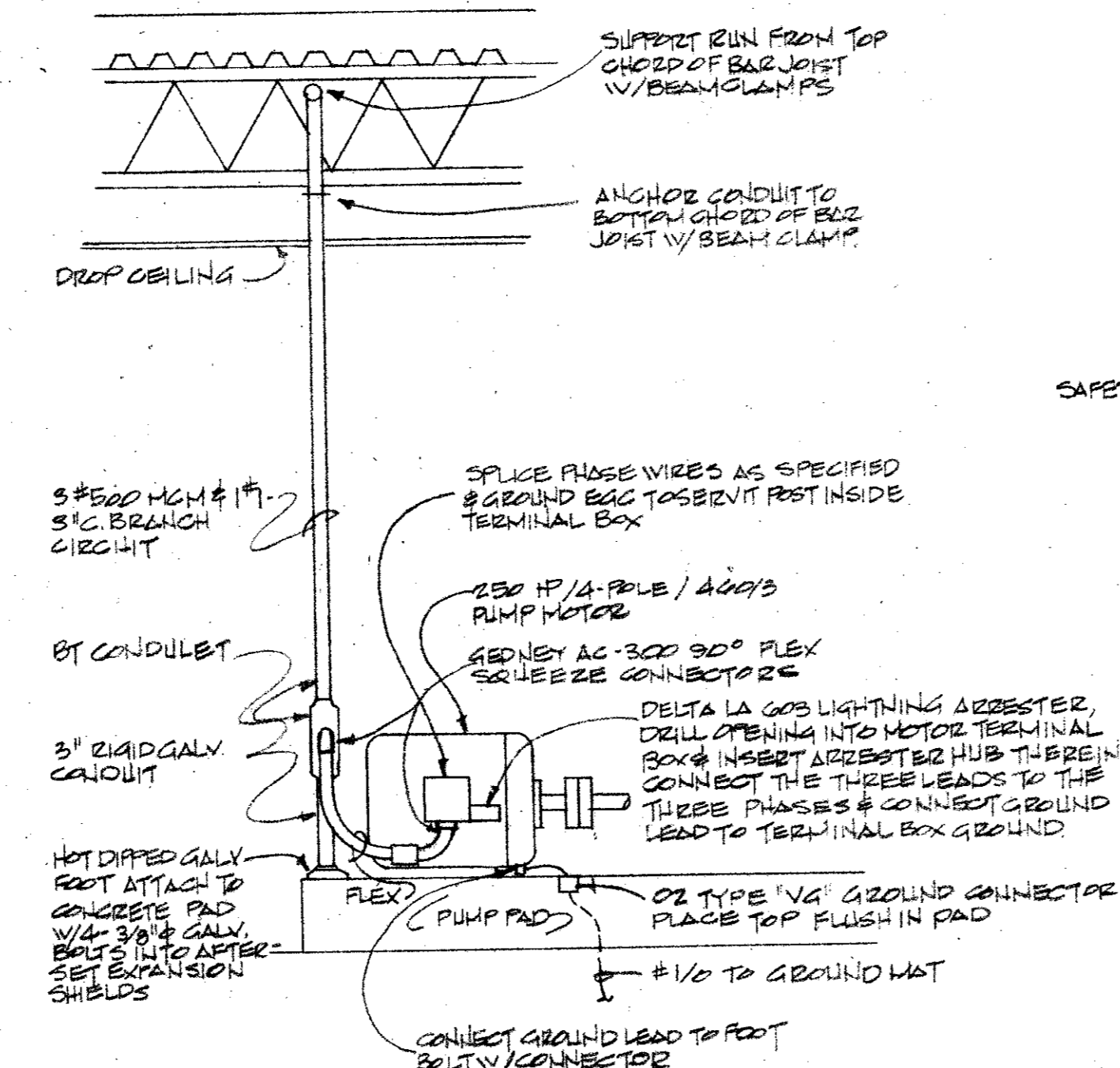
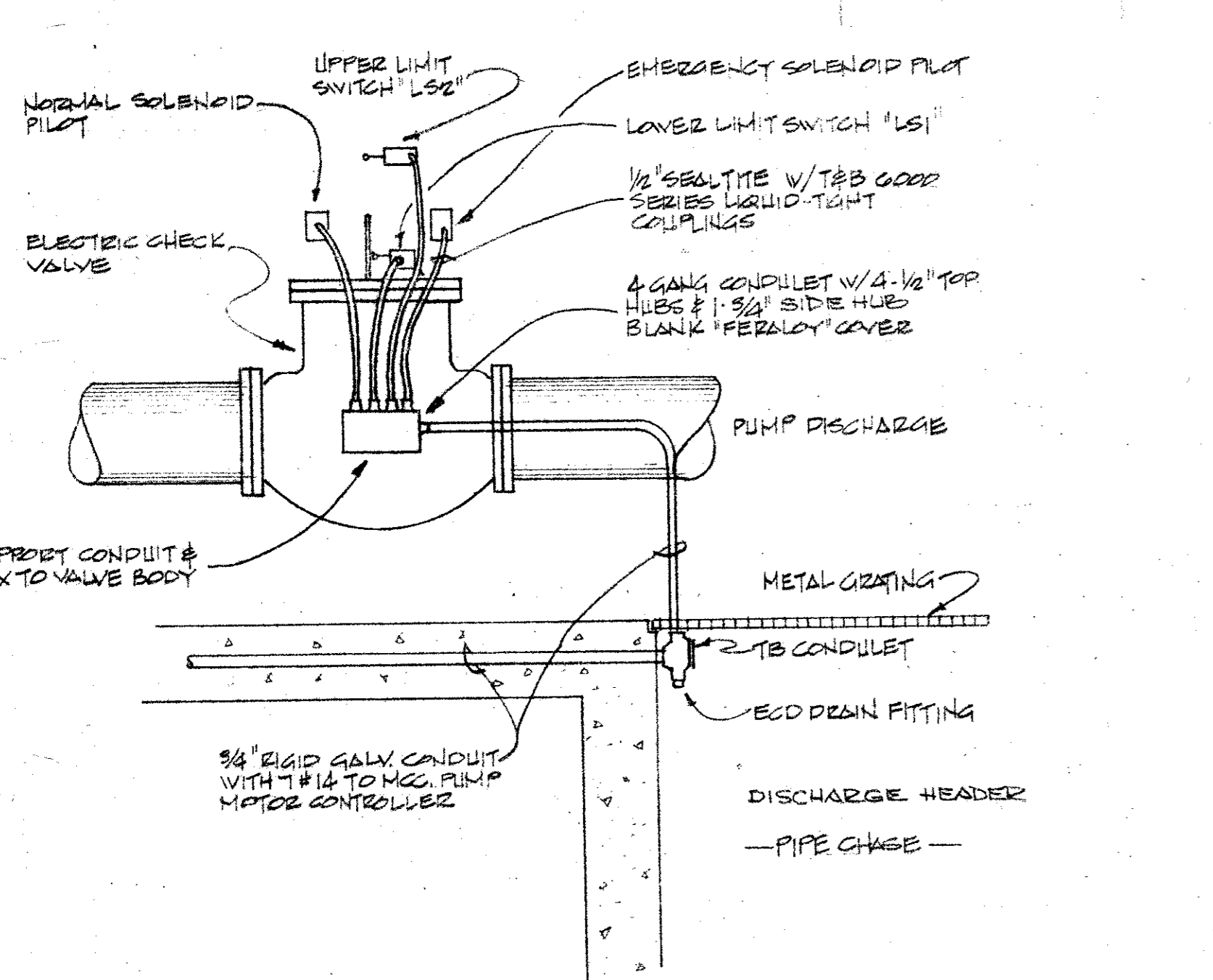
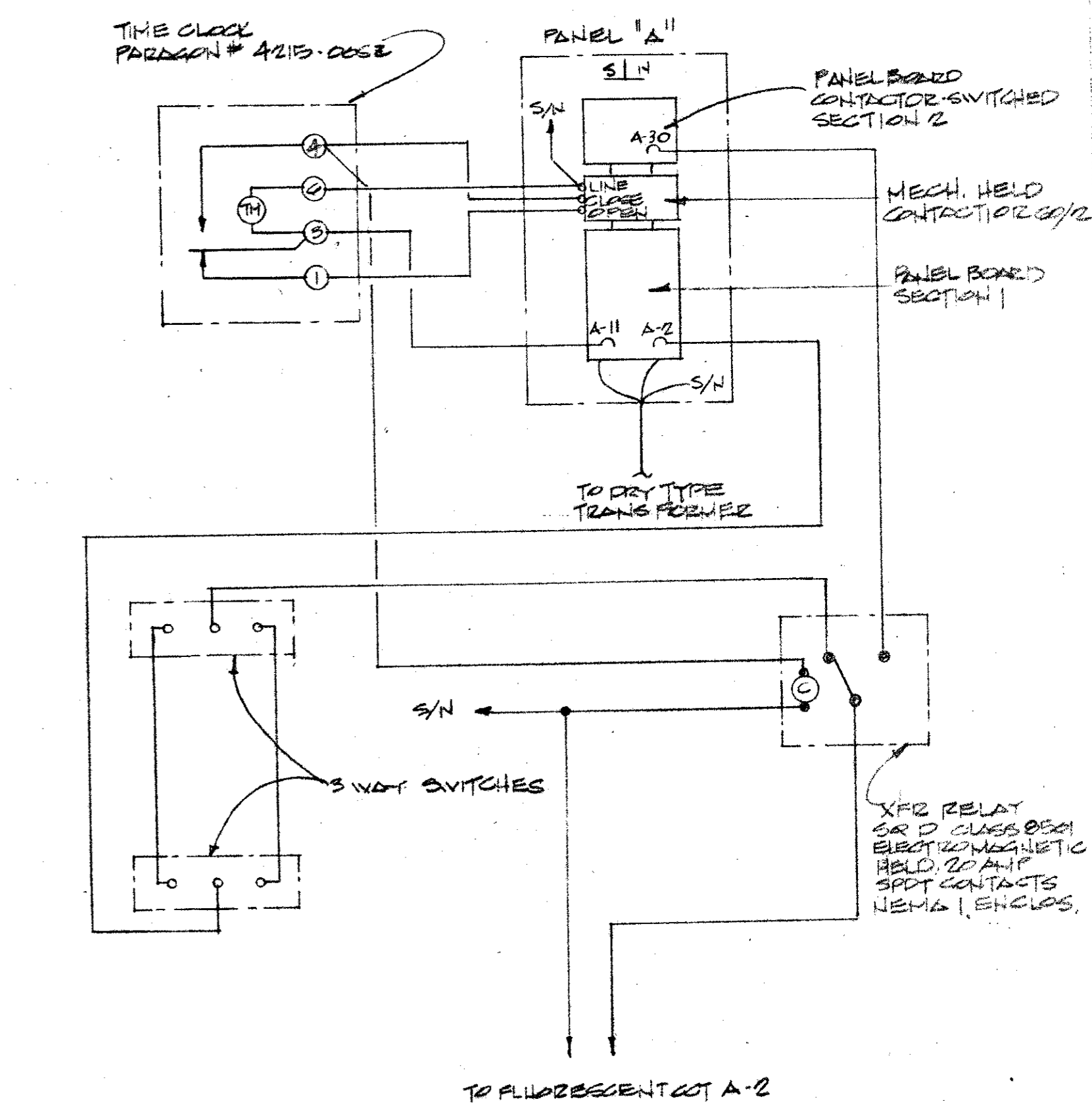
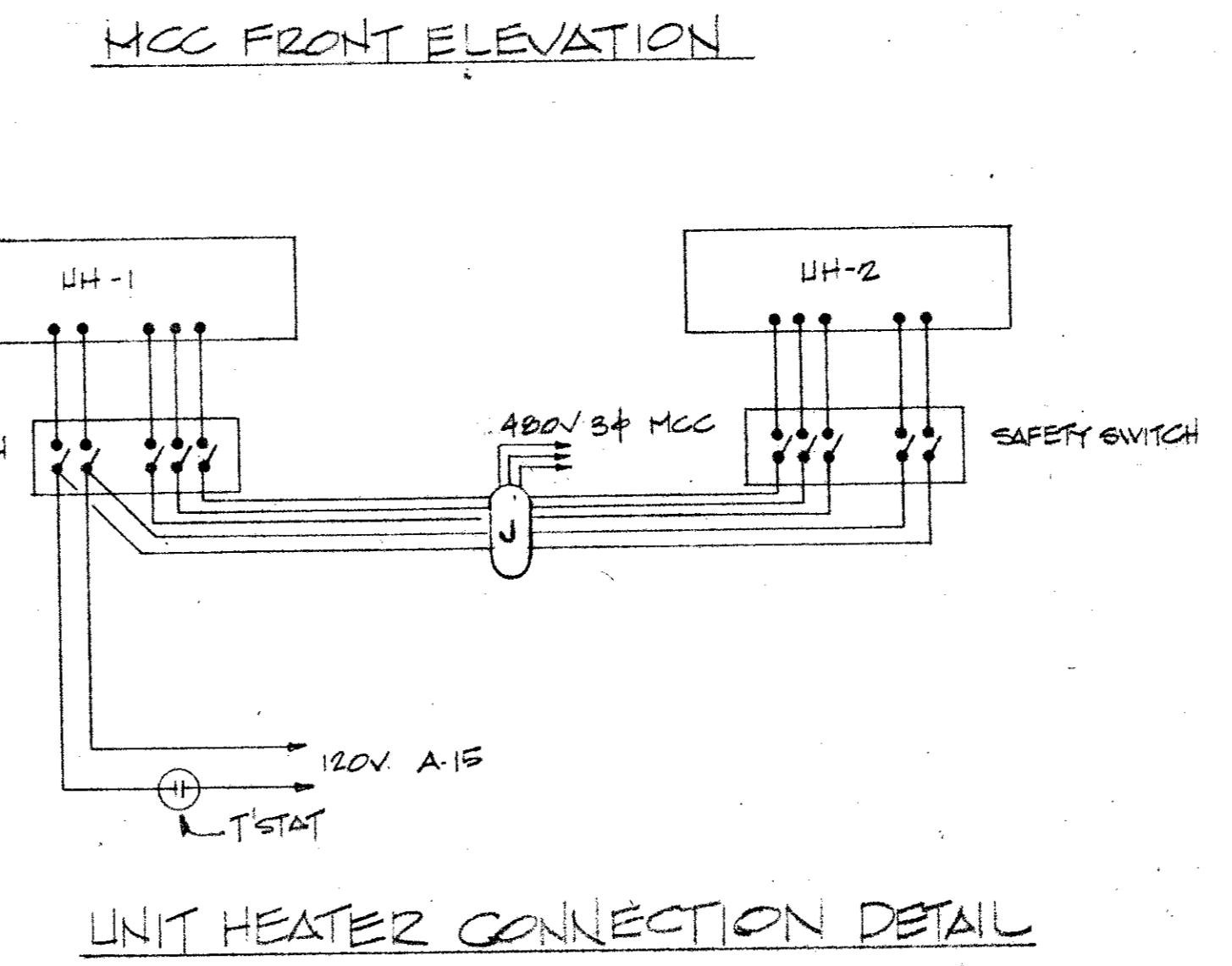
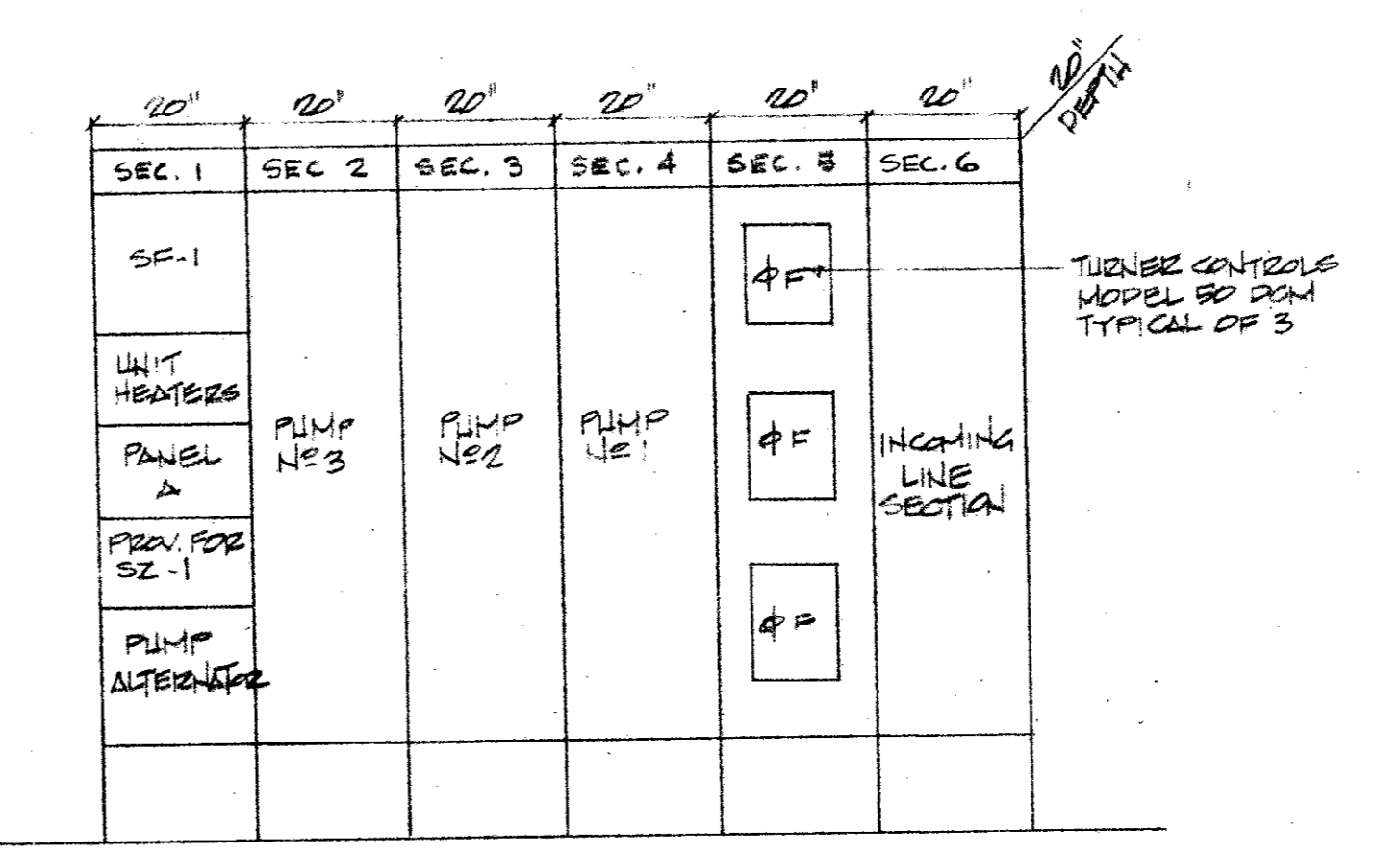
**PANEL A**

BRANCH	LOAD	SERVING	COT NO	COT #	SERVING	LOAD	BRANCH
20/1	1600	LTA	1	2	LTA	1600	20/1
20/1	800	LTA	3	4	RECEPT	1000	20/1
20/1	600	RECEPT	5	6	WATER HTR	6000	40
20/1	600	RECEPT	7	8			
20/1	500	LEVEL X HTR	9	10	FOR FUTURE	2000	50
20/1	100	TIME CLOCK	11	12	METER VAULT		12
20/1	500	SPEAKER CONT'L	13	14	BATH HEATER	2000	20
	500	T-STAT	15	16			2
		SPARE	17	18	CHLOB. RM. HTR	2600	20
			19	20			2
			21	22	CAPACITOR	60	2
			23	24	FUSE		2
CONTACTOR							
20/1	1800	TANK LTA	25	26	SIGN LTA	400	20/1
20/1	1800	TANK LTA	27	28	POLE FLOOD		20/1
20/1		SPARE	29	30	INSIDE LTA		20/1
			31	32	SPARE		20/1
			33	34			
SUB TOTAL						15600	
TOTAL						8200	
TOTAL						23800	

**LIGHTING FIXTURE SCHEDULE**

TYPE	DESCRIPTION	VOLTAGE	LAMPS	MANUFACT	CATALOG NO
A	2x4 LATIN FLUORESCENT	120	4-F40 CW	DATWHITE	FN424-CP892A-4
B	VAPORTIGHT SHOWER LIGHT	120	1-100V-A19	PEVINE	DA15-AT50
C	VAPORTIGHT FLUORESCENT	120	4-F40 CW	DATWHITE	R31441
D*	FLOODLIGHT	125	1-200 PARSONS	SYLVANIA	VN8003-102
E**	POLE FLOODLIGHT	120	1-AC0V MH	QUADROCO	A1013-100-0000-1 S2A/C20-10L-B26

\* SEE MOUNTING/WM DETAIL  
\*\* SEE MOUNTING DETAIL



TYPICAL ELECTRIC CHECK VALVE INSTALLATION.  
NO SCALE

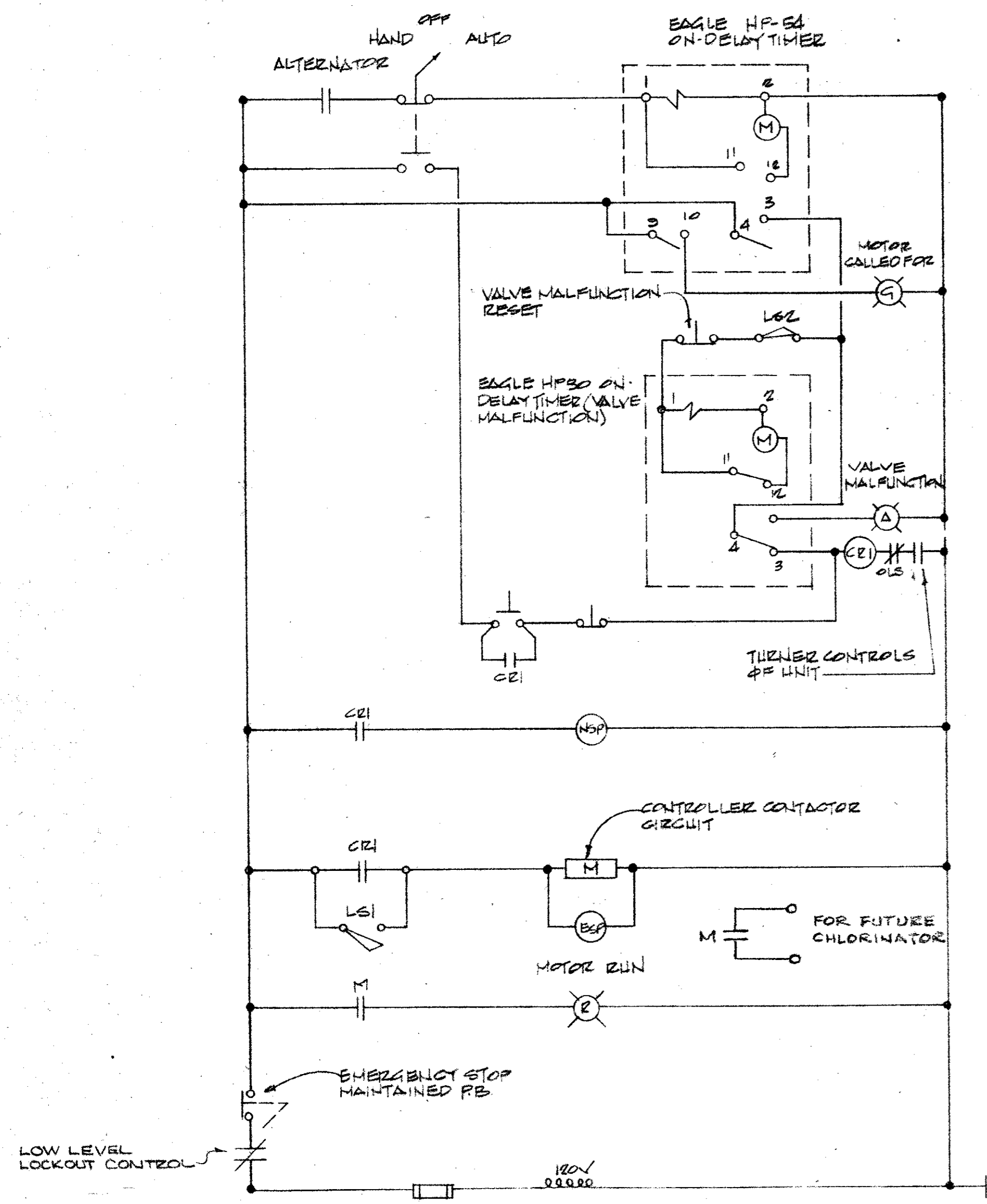
TYPICAL PUMP MOTOR CONNECTION  
SCALE: 1/2" = 1'-0"

CITY OF ADDISON  
DALLAS COUNTY, TEXAS  
WATER PUMP STATION  
AND WATER MAINS

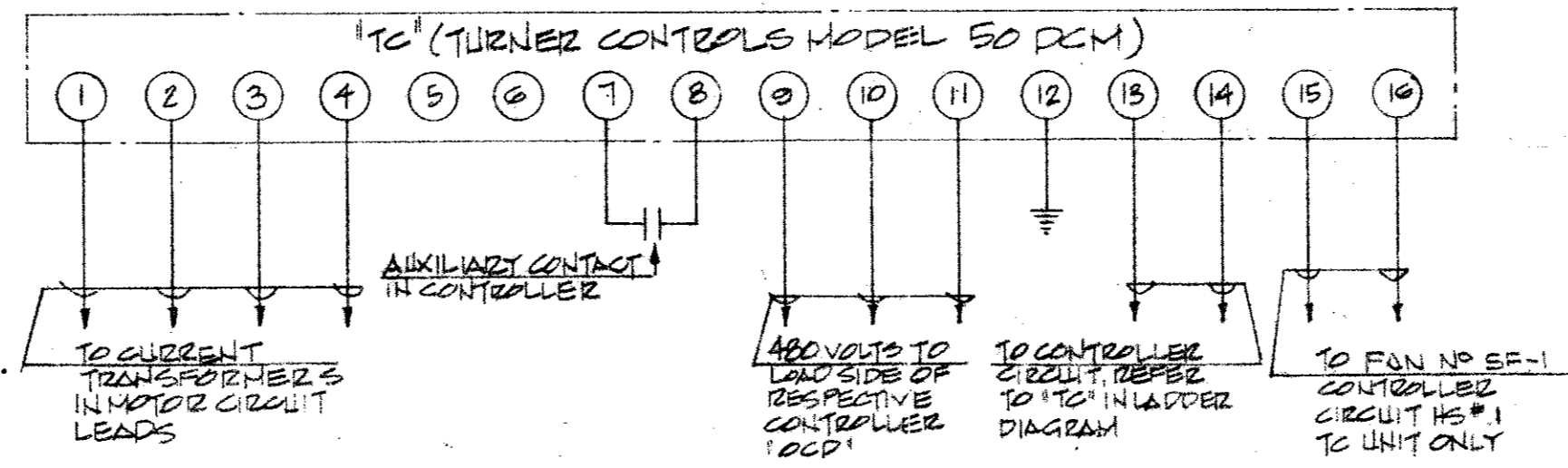
**ELECTRICAL**

GINN & STACY, INC.  
CONSULTING ENGINEERS - DALLAS, TEXAS

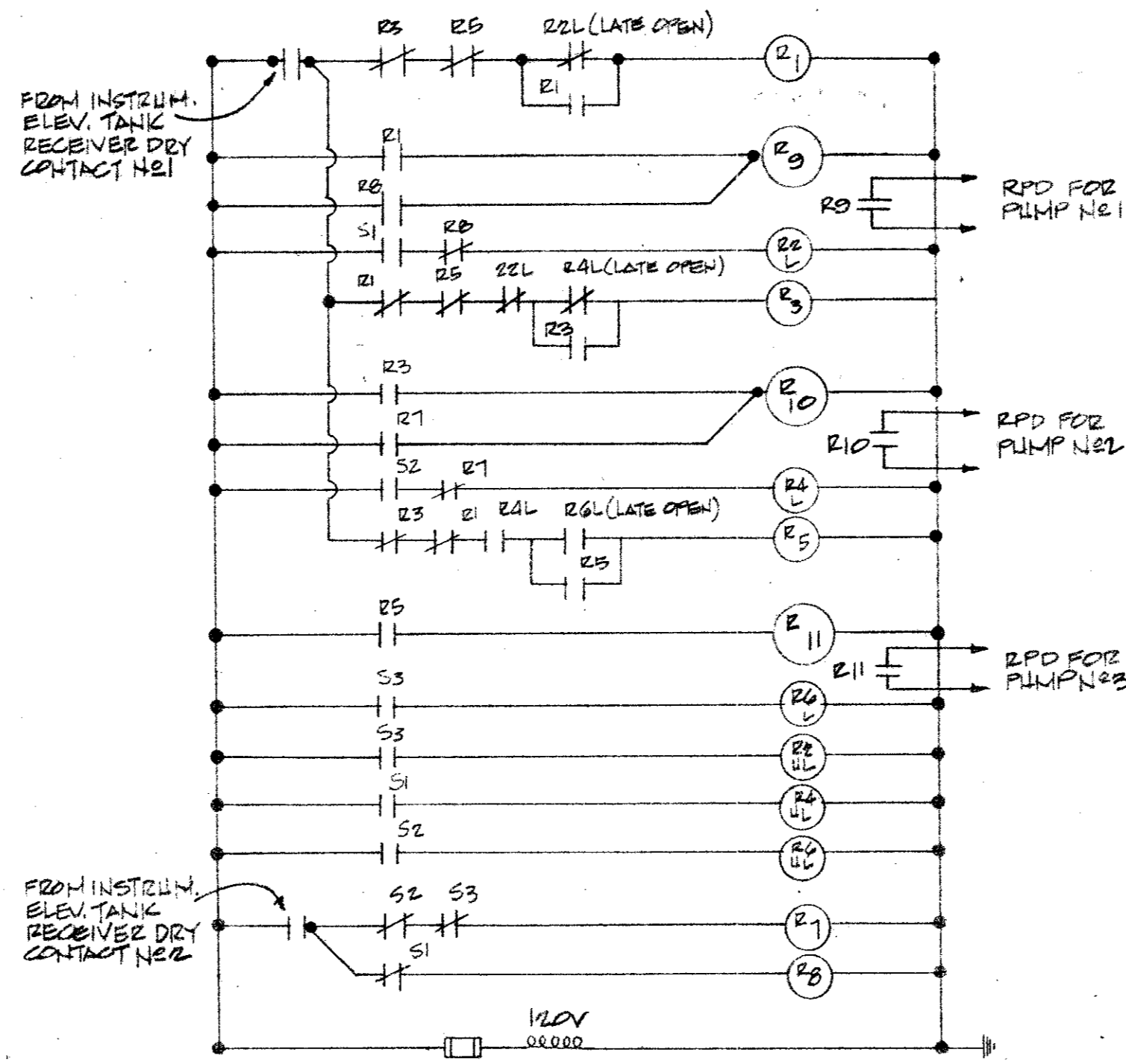
DESIGNED BY: CRH SCALE: AS NOTED  
DRAWN BY: MM DATE: Sheet 22 of 24



TYPICAL PUMP MOTOR CONTROL DIAGRAM



TYPICAL "TC" PHASE PROTECTION DIAGRAM  
NO SCALE

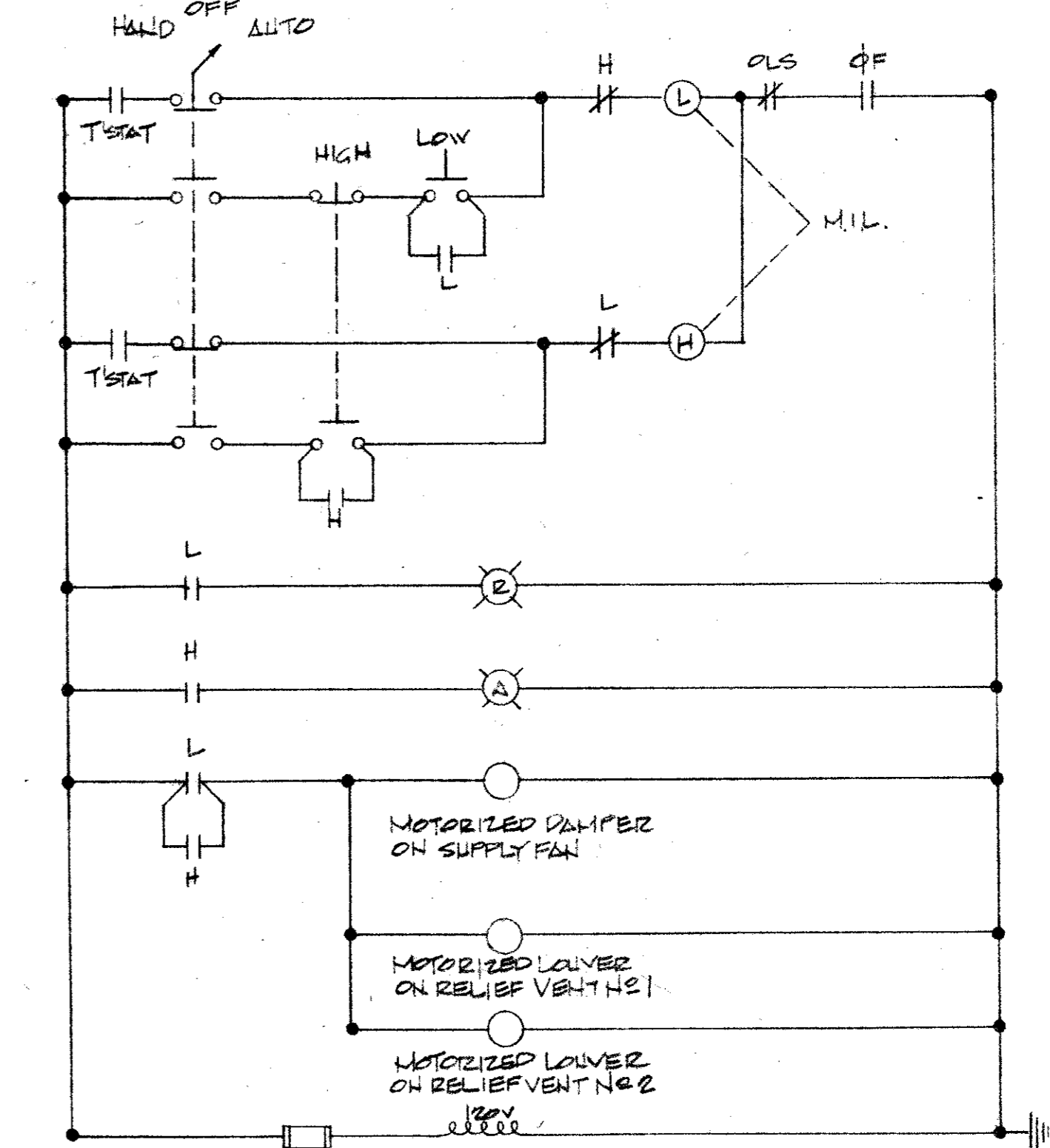


3 PUMP ALTERNATOR DIAGRAM

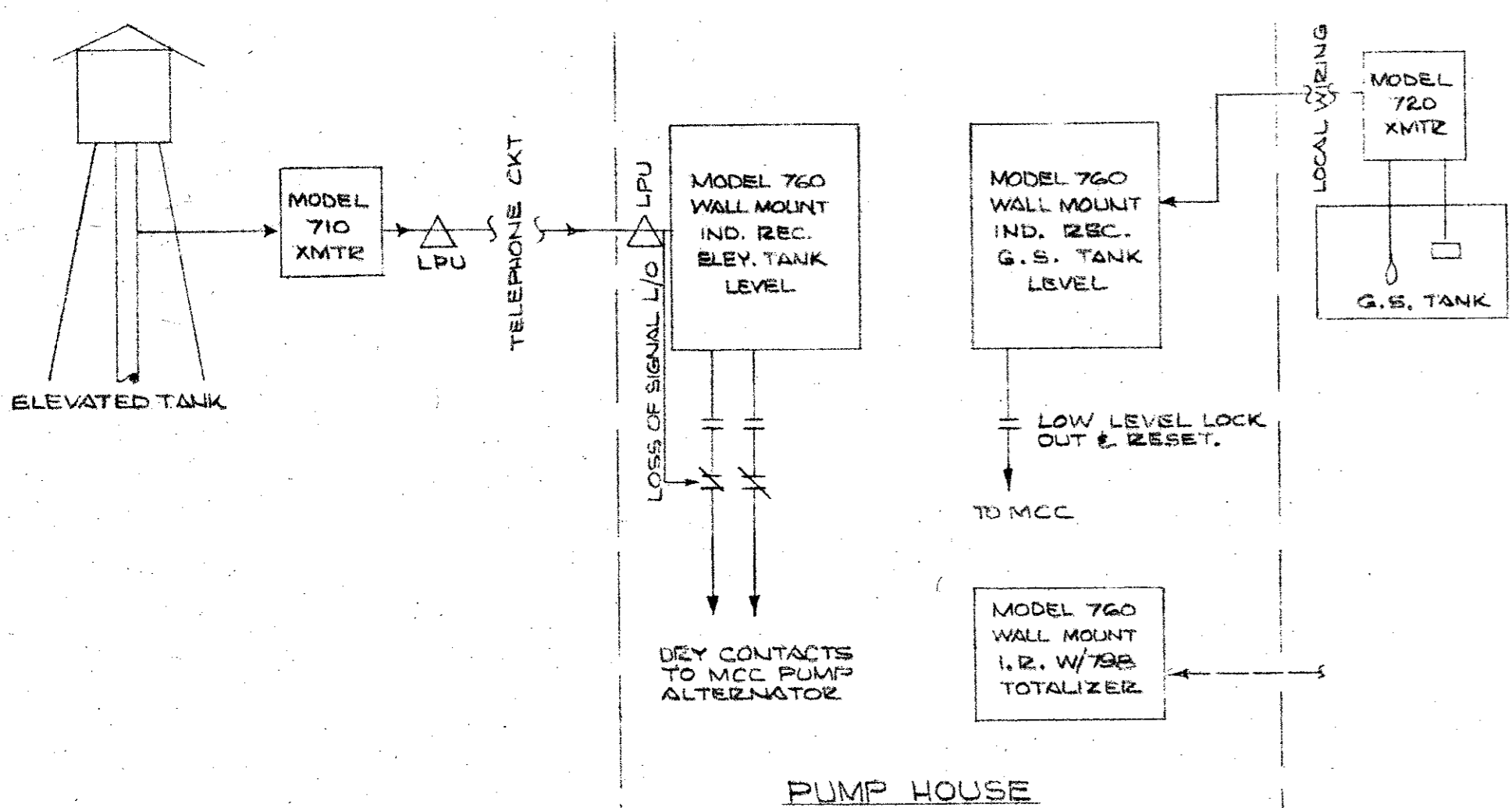
UNIT HEATER SCHEDULE										
MARK	KW	VOLT	PHASE	CFM	ΔT	MANUFACT'G	CAT NO	COMMENTS		
UH-1	1 1/2	480	3	670	40	CHROMOLOX	LWH-01-08	UH-1 & UH-2 TO HAVE INTEGRAL CONTACTORS & BOTH UNITS TO BE COMMONLY CONTROLLED BY VFD		
UH-2	1 1/2	480	3	670	40	CHROMOLOX	LWH-01-08	REMOTE TEST.		
UH-3	2.0	240	1	310	27	CHROMOLOX	LWH-02-16	UH-3 TO HAVE INTEGRAL TEST. UH-1, 2, 3 UNIT HEATERS TO HAVE VUH WALL BELT		
UH-4	2.0	240	1			CHROMOLOX	RSF-420	UH-4 TO HAVE R.F.A.C.3 WALL BOX		

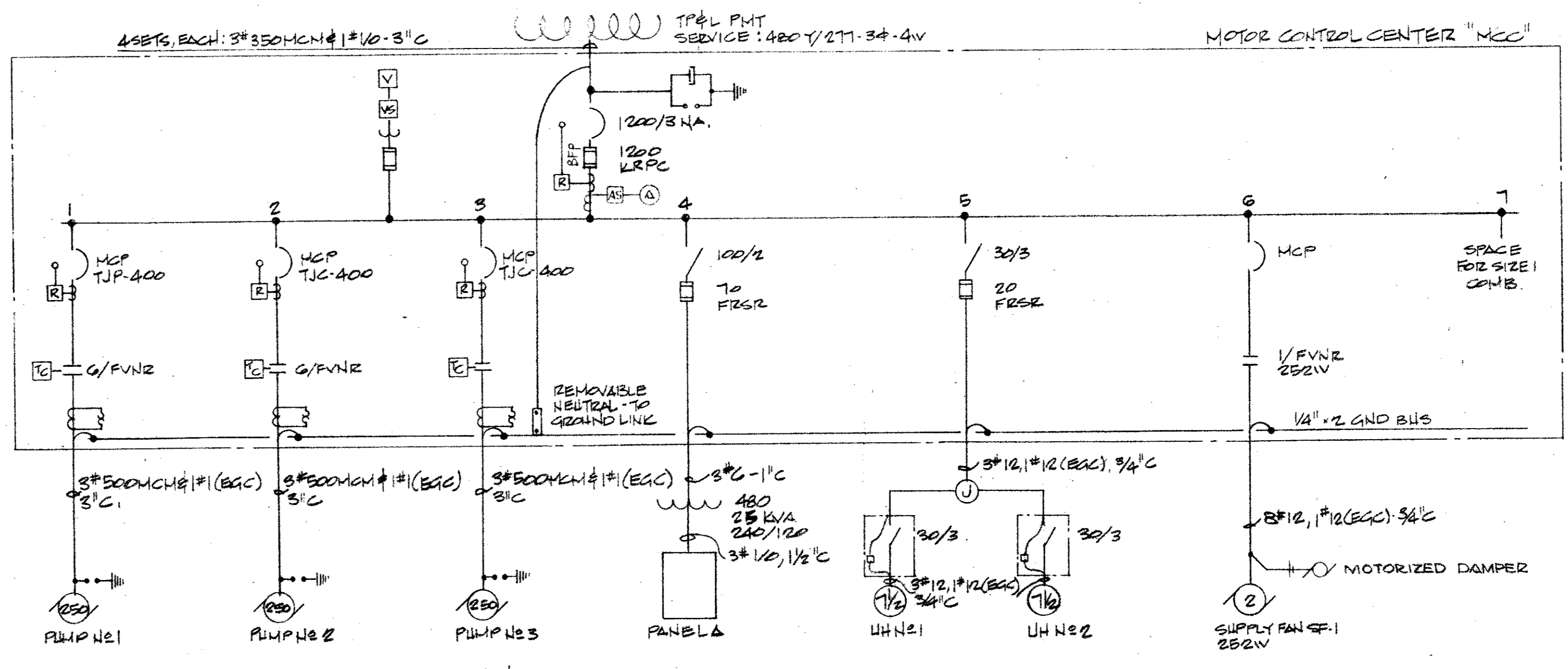
FAN SCHEDULE											
MARK	TYPE	CFM	SP	SCALES	HP	SPEED	VOLTAGE	DAMPER	MANUFACT'G	CAT NO	MFG.
SF-1	SUPPLY	11000	0.5	95.5	2	35-2V	400/3	TES-MOTORIZED-12V	ACME	ECHALLS	ROOF
VF-2	EXHAUST	270	0.25	-	1/82	15	120/1	TES-GRAVITY	ACME	PV 15	WALL
VF-3	EXHAUST	160	0.25	-	1/82	15	120/1	TES-GRAVITY	ACME	PRL 14	ROOF



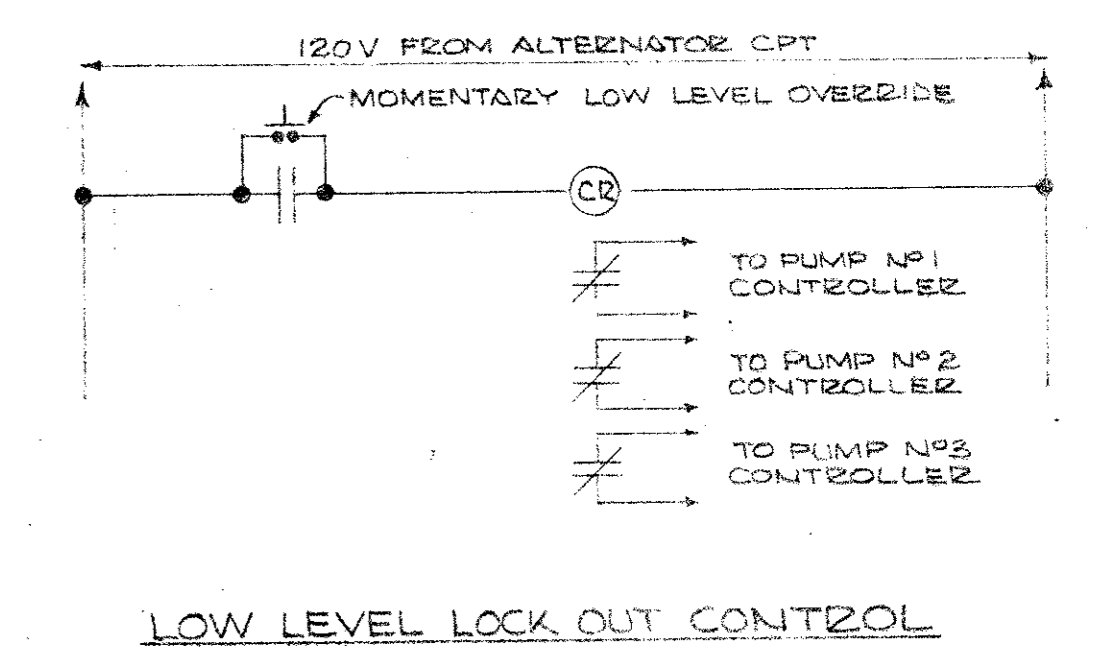
TWO SPEED FAN DIAGRAM



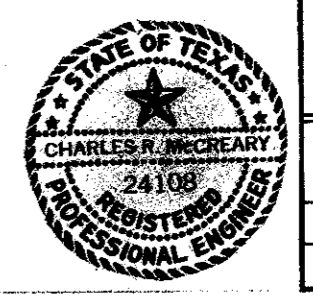
INSTRUMENTATION PICTORIAL  
(SPARKING CAT. NOS)



POWER RISER DIAGRAM



LOW LEVEL LOCK OUT CONTROL

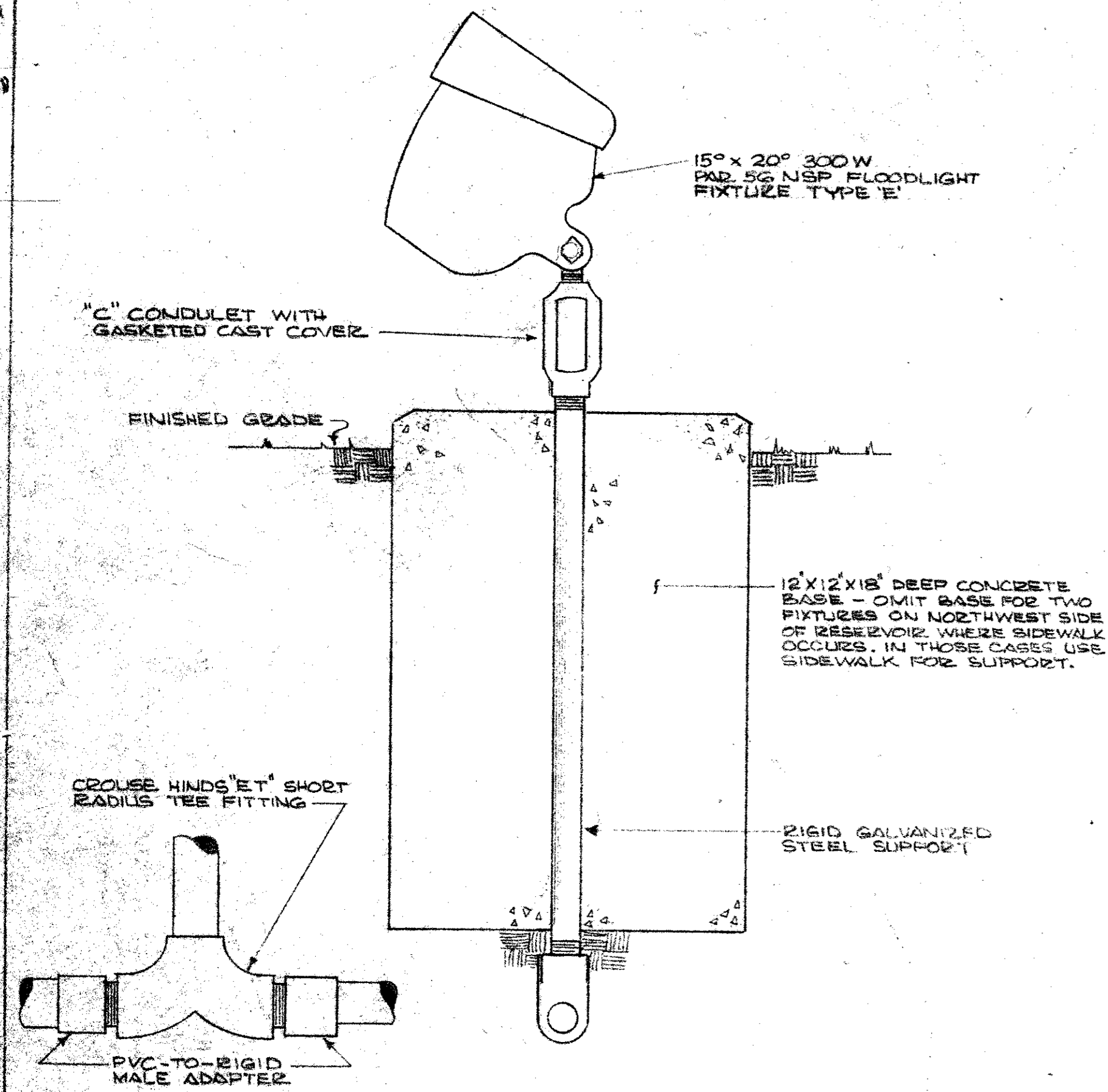


CITY OF ADDISON  
DALLAS COUNTY, TEXAS  
WATER PUMP STATION  
AND WATER MAINS

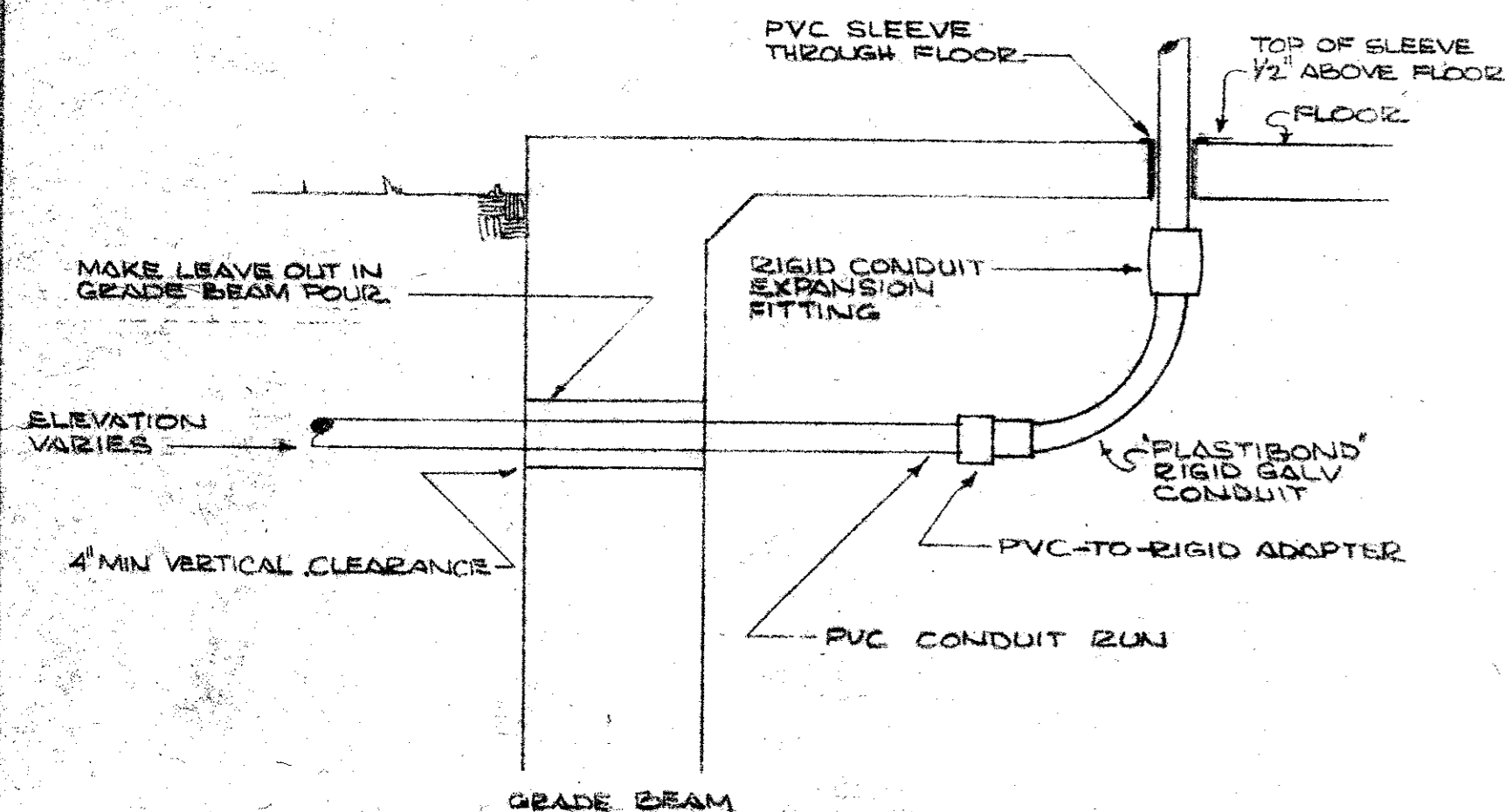
**ELECTRICAL**

GINN & STACY, INC.  
CONSULTING ENGINEERS — DALLAS, TEXAS

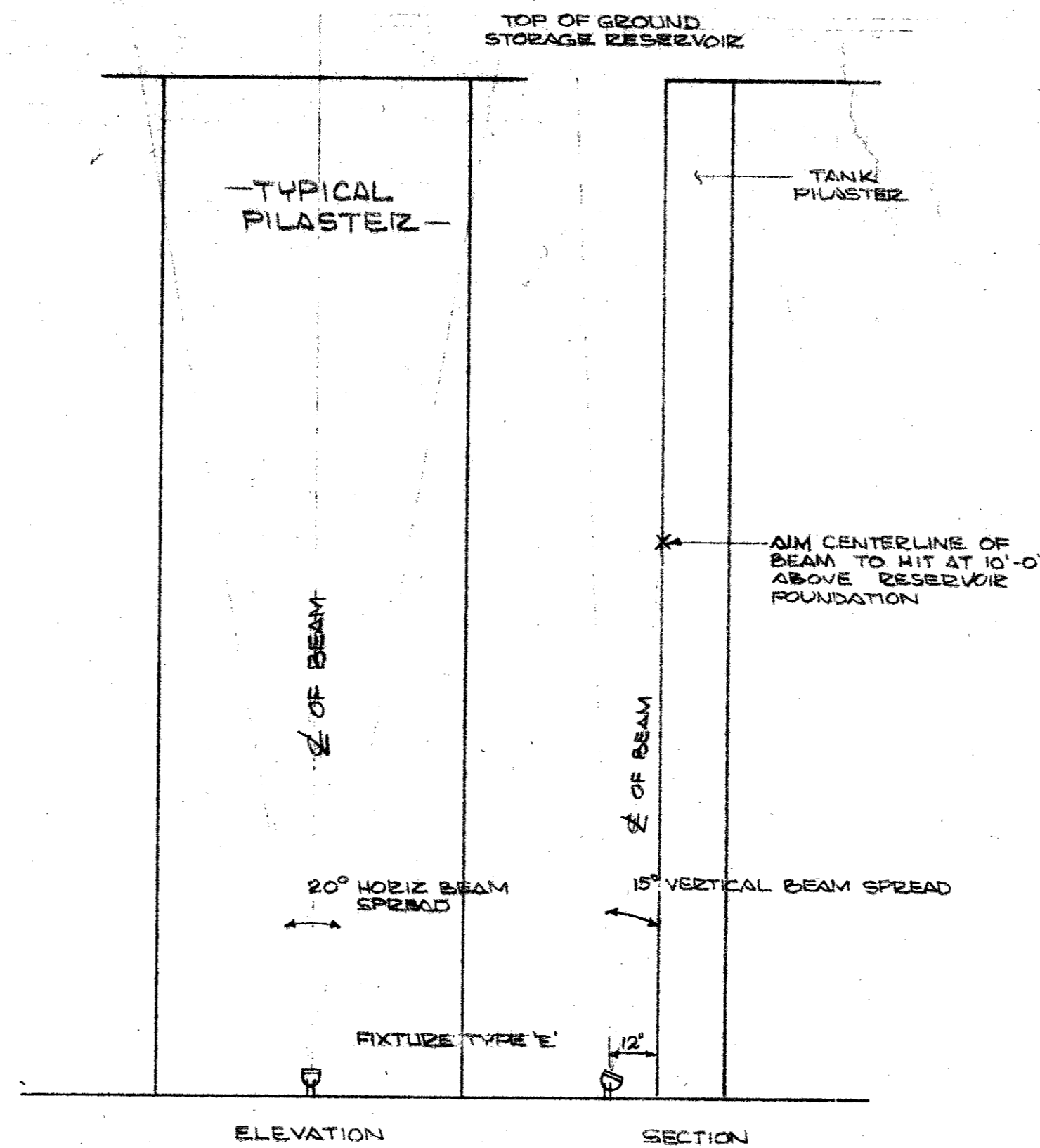
DESIGNED BY: *WJM* SCALE: *As Noted* Sheet 23 of 24  
DRAWN BY: *WJM* DATE: \_\_\_\_\_



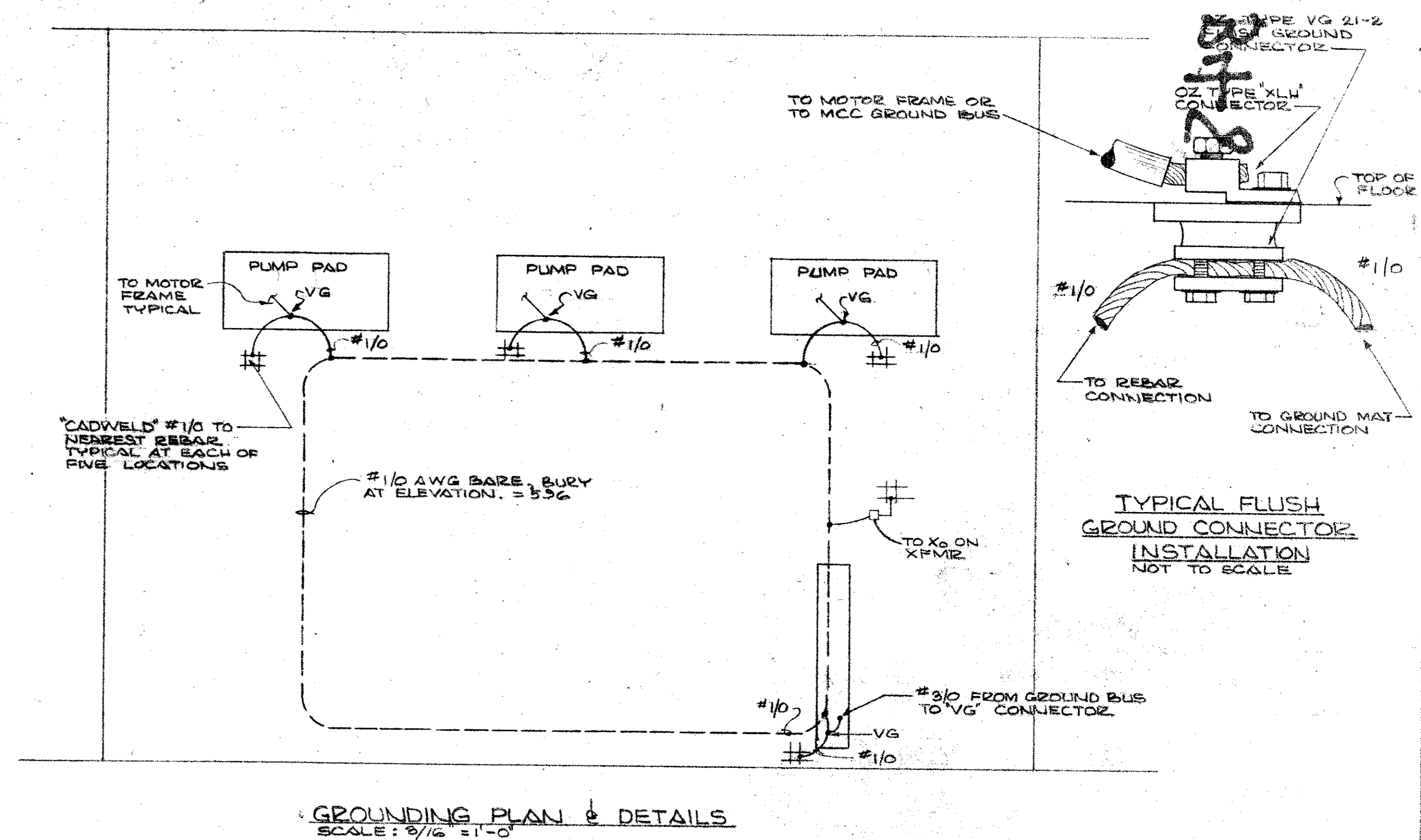
TYPICAL FIXTURE 'D' INSTALLATION  
SCALE: 3" = 1'-0"



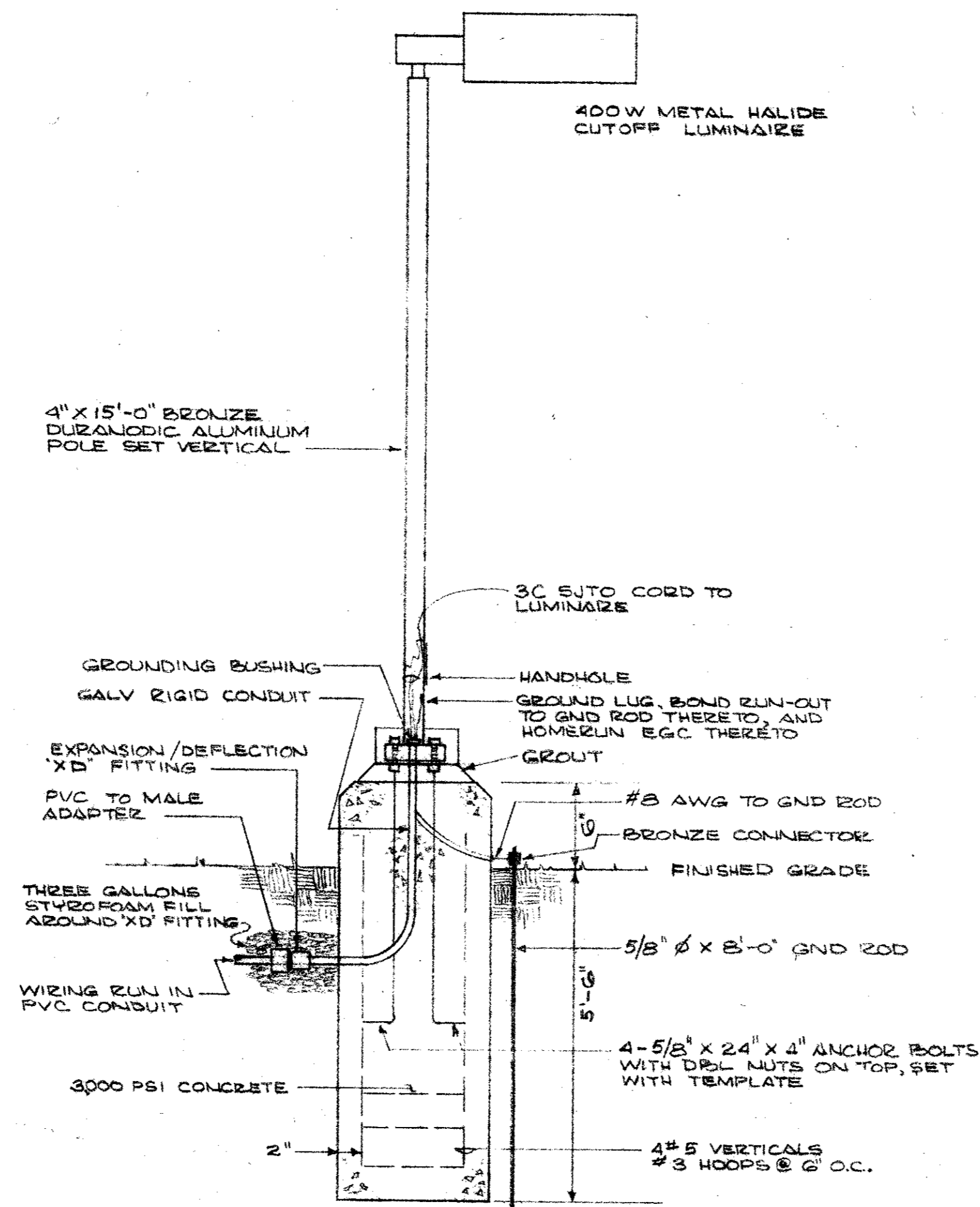
TYPICAL CONDUIT PENETRATION THROUGH BLDG, GRADE BEAM & FLOOR  
NOT TO SCALE



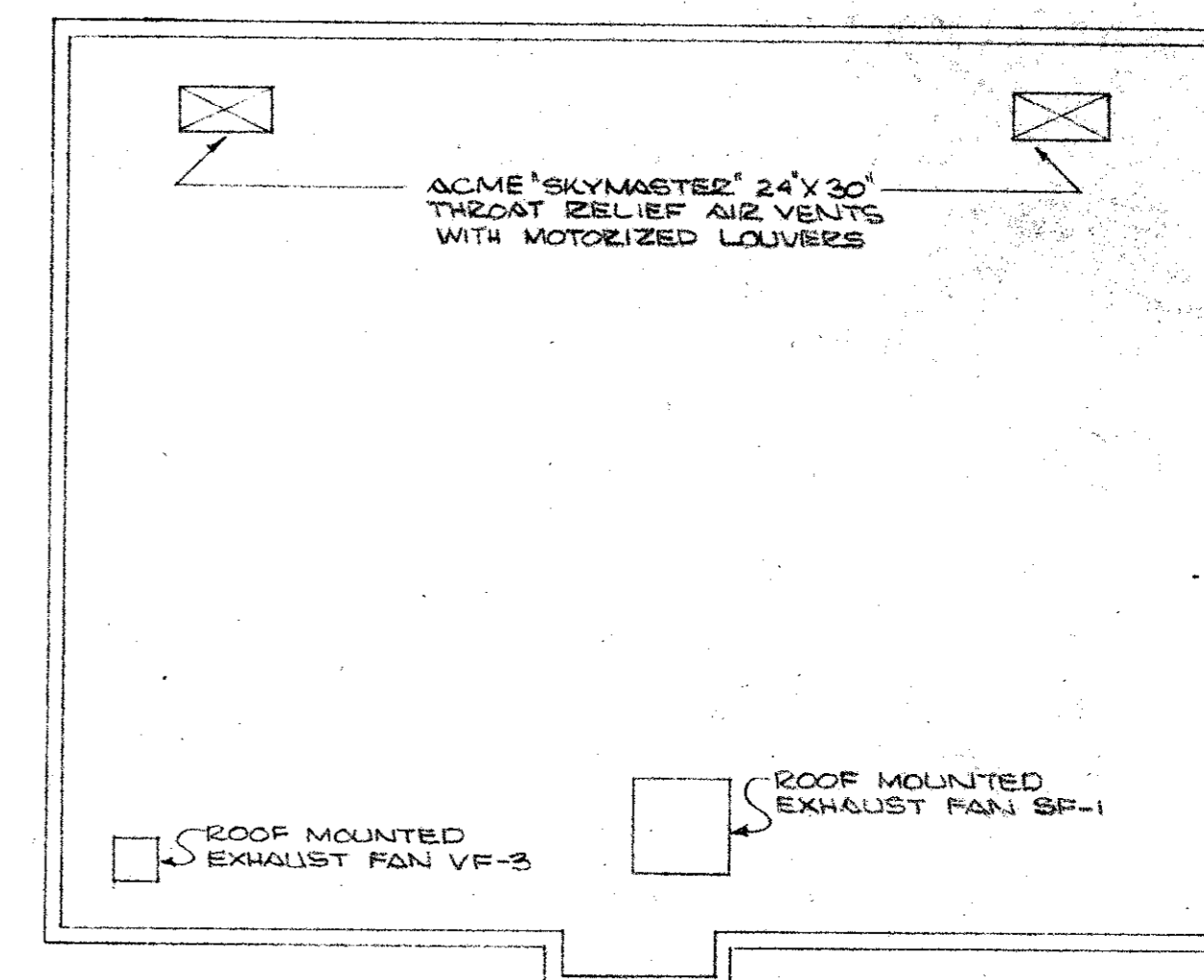
DETAIL OF FIXTURE 'D' INSTALLATION & AIMING  
(GROUND STORAGE RESERVOIR)  
SCALE: 3/8" = 1'-0"



GROUNDING PLAN & DETAILS  
SCALE: 3/16" = 1'-0"



POLE FLOODLIGHT INSTALLATION DETAIL  
NOT TO SCALE



ROOF PLAN OF EXHAUST FANS AND VENTS  
SCALE: 1/8" = 1'-0"

CITY OF ADDISON DALLAS COUNTY, TEXAS	
WATER PUMP STATION AND WATER MAINS	
<b>ELECTRICAL</b>	
GINN & STACY, INC. CONSULTING ENGINEERS DALLAS, TEXAS	
DESIGNED BY <i>CM</i>	SCALE: 1/8" = 1'-0"
DRAWN BY <i>WJL</i>	DATE: <i>10/11/91</i>
Sheet 24	

