

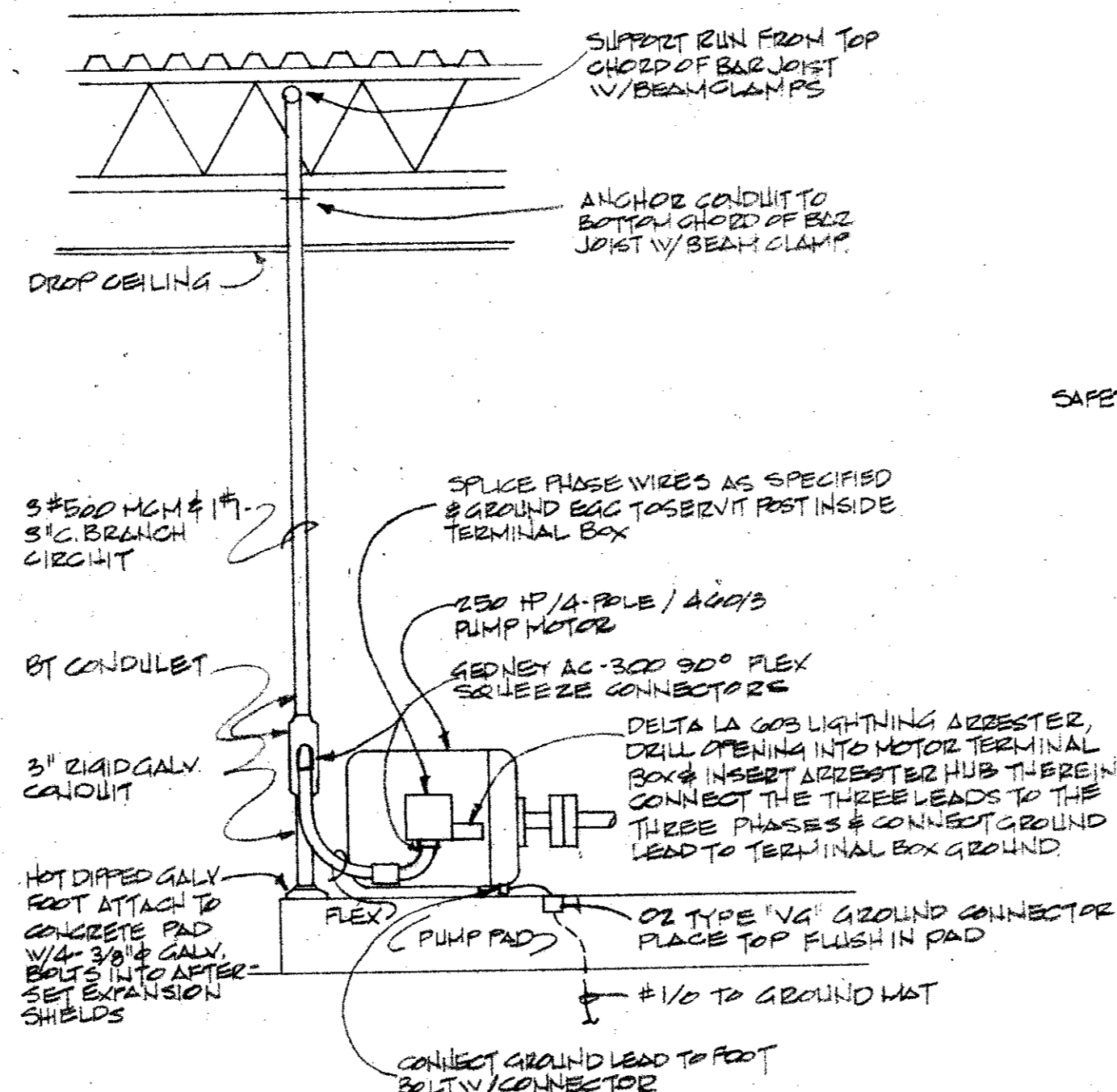
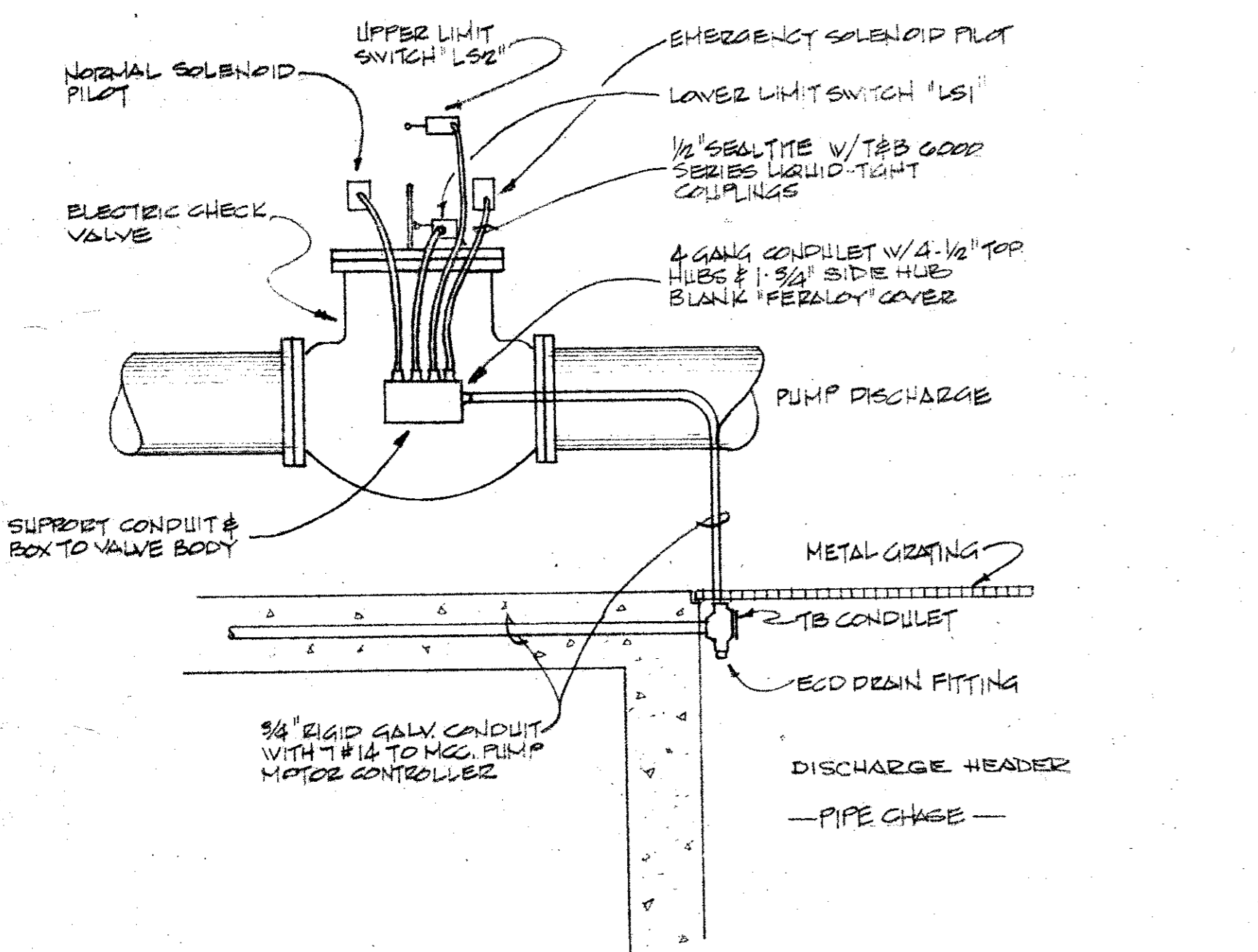
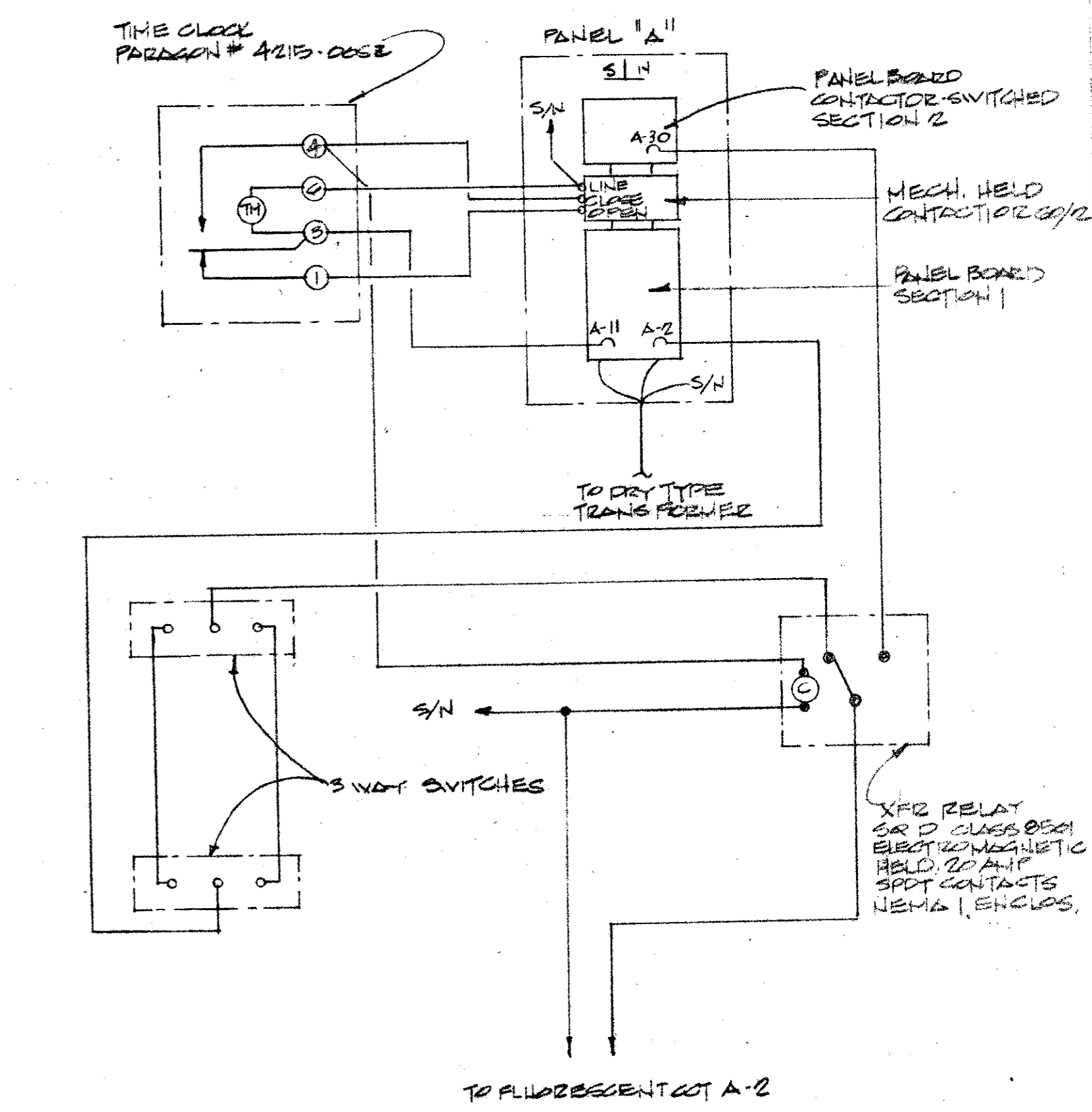
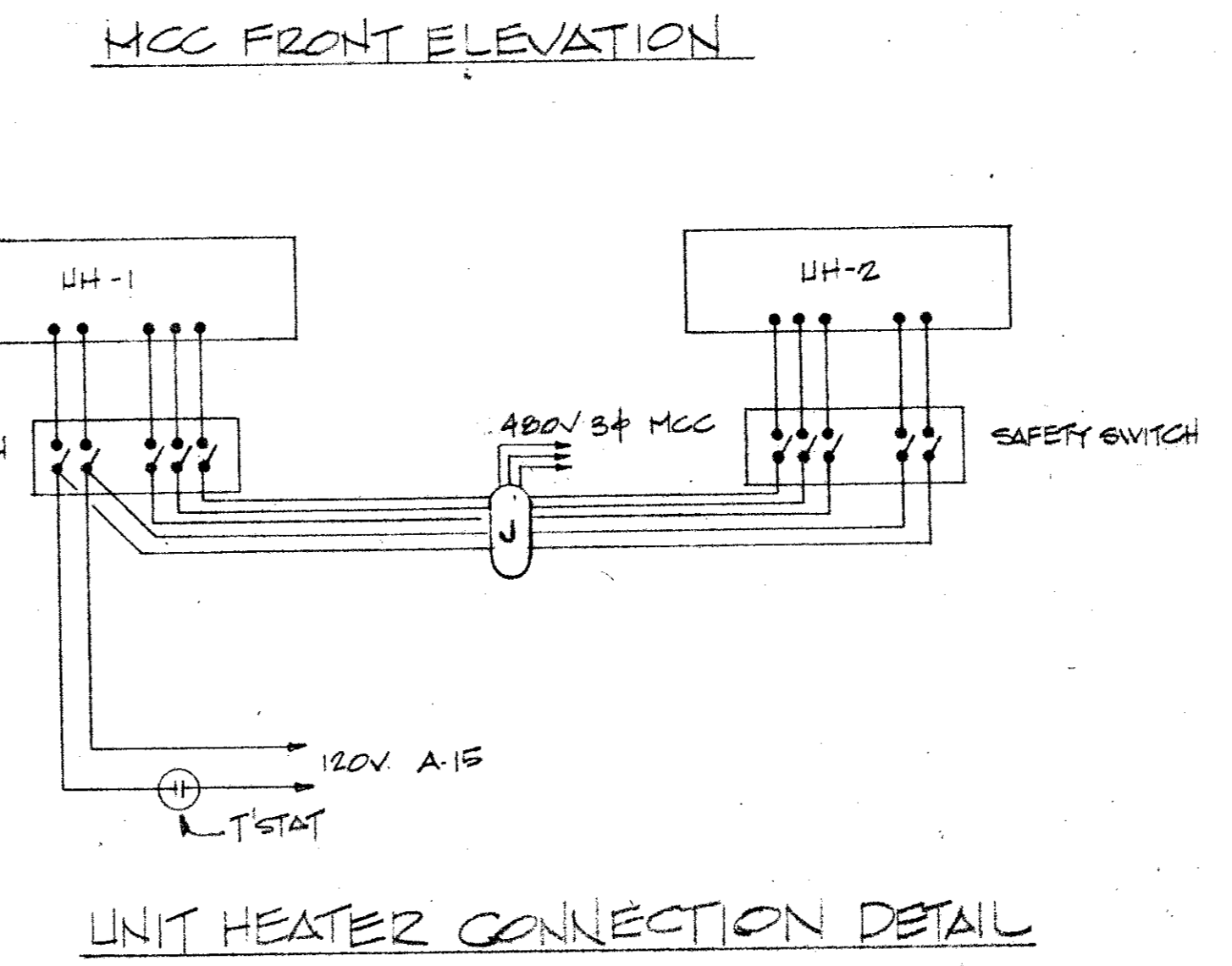
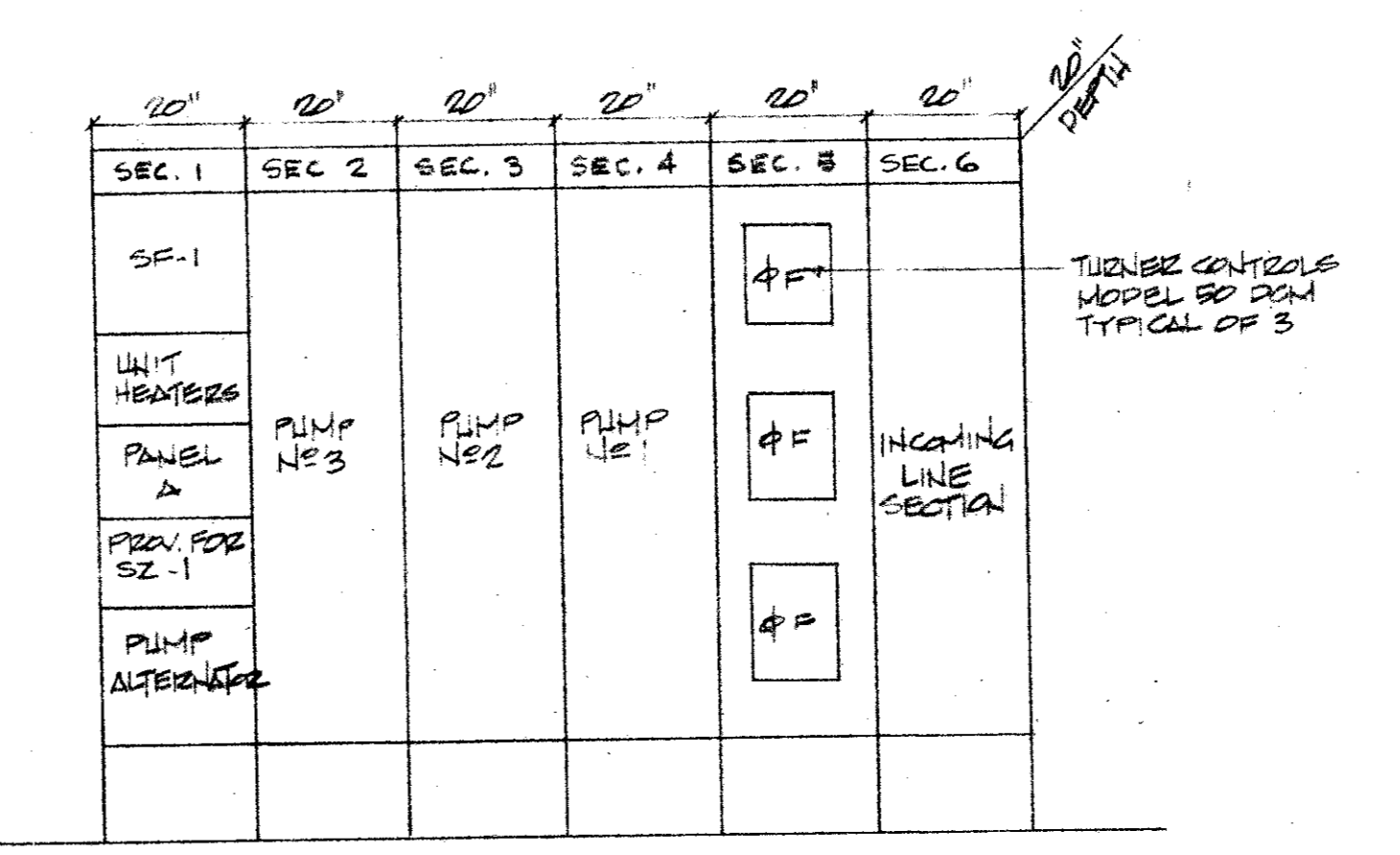
PANEL A

| BRANCH | LOAD | SERVING | COT NO | COT # | SERVING | LOAD | BRANCH |
|-----------|------|----------------|--------|-------|----------------|-------|--------|
| 20/1 | 1600 | LTA | 1 | 2 | LTA | 1600 | 20/1 |
| 20/1 | 800 | LTA | 3 | 4 | RECEPT | 1000 | 20/1 |
| 20/1 | 600 | RECEPT | 5 | 6 | WATER HTR | 6000 | 40 |
| 20/1 | 600 | RECEPT | 7 | 8 | | | |
| 20/1 | 500 | LEVEL X HTR | 9 | 10 | FOR FUTURE | 2000 | 50 |
| 20/1 | 100 | TIME CLOCK | 11 | 12 | METER VAULT | | 12 |
| 20/1 | 500 | SPEAKER CONT'L | 13 | 14 | BATH HEATER | 2000 | 20 |
| | 500 | T-STAT | 15 | 16 | | | 2 |
| | | SPARE | 17 | 18 | CHLOB. RM. HTR | 2600 | 20 |
| | | | 19 | 20 | | | 2 |
| | | | 21 | 22 | CAPACITOR | 60 | 2 |
| | | | 23 | 24 | FUSE | | 2 |
| CONTACTOR | | | | | | | |
| 20/1 | 1800 | TANK LTA | 25 | 26 | SIGN LTA | 600 | 20/1 |
| 20/1 | 1800 | TANK LTA | 27 | 28 | POLE FLOOD | | 20/1 |
| 20/1 | | SPARE | 29 | 30 | INSIDE LTA | | 20/1 |
| | | | 31 | 32 | SPARE | | 20/1 |
| | | | 33 | 34 | | | |
| SUB TOTAL | | | | | | 15600 | |
| | | | | | | 8200 | |
| | | | | | | TOTAL | 23800 |

LIGHTING FIXTURE SCHEDULE

| TYPE | DESCRIPTION | VOLTAGE | LAMPS | MANUFACT | CATALOG NO |
|------|-------------------------|---------|----------------|----------|--------------------------------------|
| A | 2x4 LATIN FLUORESCENT | 120 | 4-F40 CIV | DATWHITE | FN424-CP892A-4 |
| B | VAPORTIGHT SHOWER LIGHT | 120 | 1-100V-A19 | DEVINE | DA15-AT50 |
| C | VAPORTIGHT FLUORESCENT | 120 | 4-F40 CIV | DATWHITE | R31441 |
| D* | FLOODLIGHT | 120 | 1-100W PAR38 S | SYLVANIA | VN8003-102 |
| E** | POLE FLOODLIGHT | 120 | 1-400V MH | QUADRO | A1013-100-400VH-1 S2A/C20-10L-B22 |

* SEE MOUNTING/WH DETAIL
** SEE MOUNTING DETAIL



TYPICAL ELECTRIC CHECK VALVE INSTALLATION.
NO SCALE

TYPICAL PUMP MOTOR CONNECTION
SCALE: 1/2" = 1'-0"

CITY OF ADDISON
DALLAS COUNTY, TEXAS
WATER PUMP STATION
AND WATER MAINS

ELECTRICAL

GINN & STACY, INC.
CONSULTING ENGINEERS - DALLAS, TEXAS

DESIGNED BY: CRH SCALE: AS NOTED
DRAWN BY: MM DATE: _____

Sheet 22 of 24

