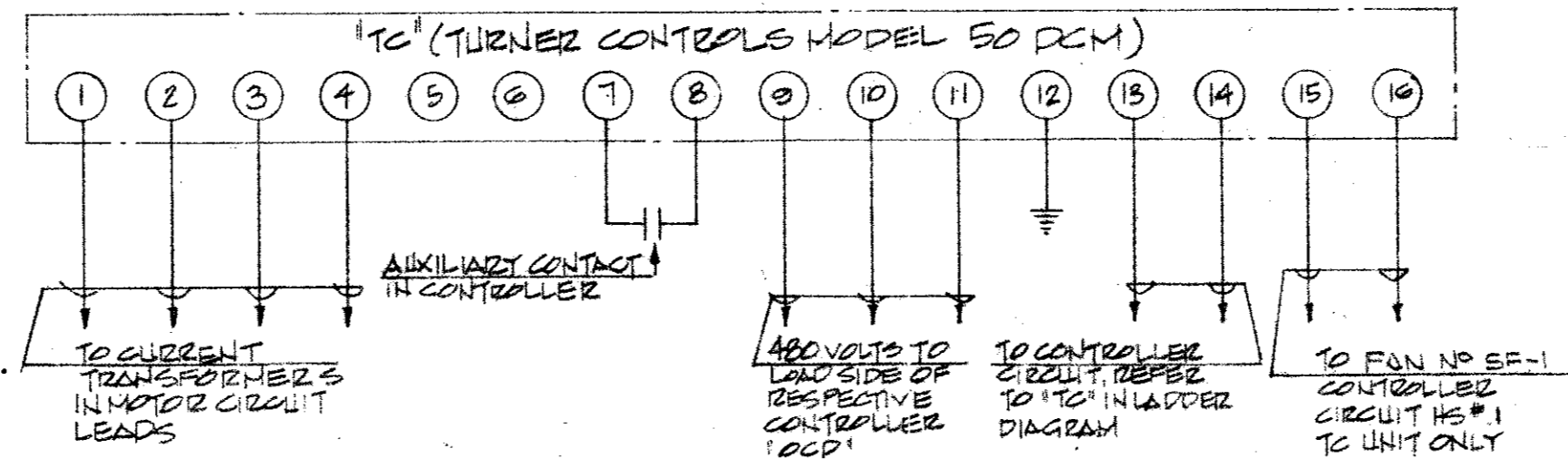
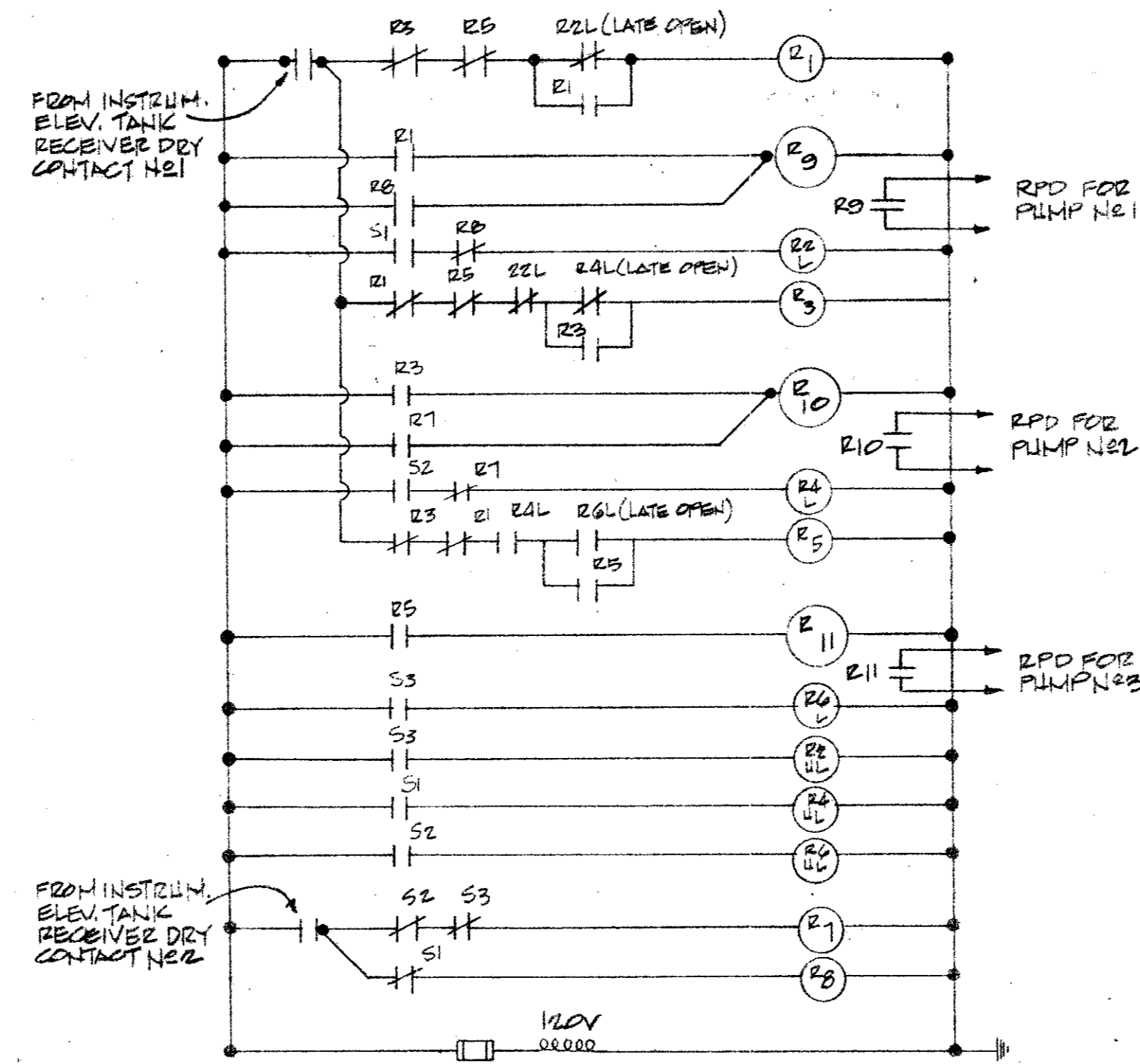


TYPICAL PUMP MOTOR CONTROL DIAGRAM



TYPICAL "TC" PHASE PROTECTION DIAGRAM  
NO SCALE

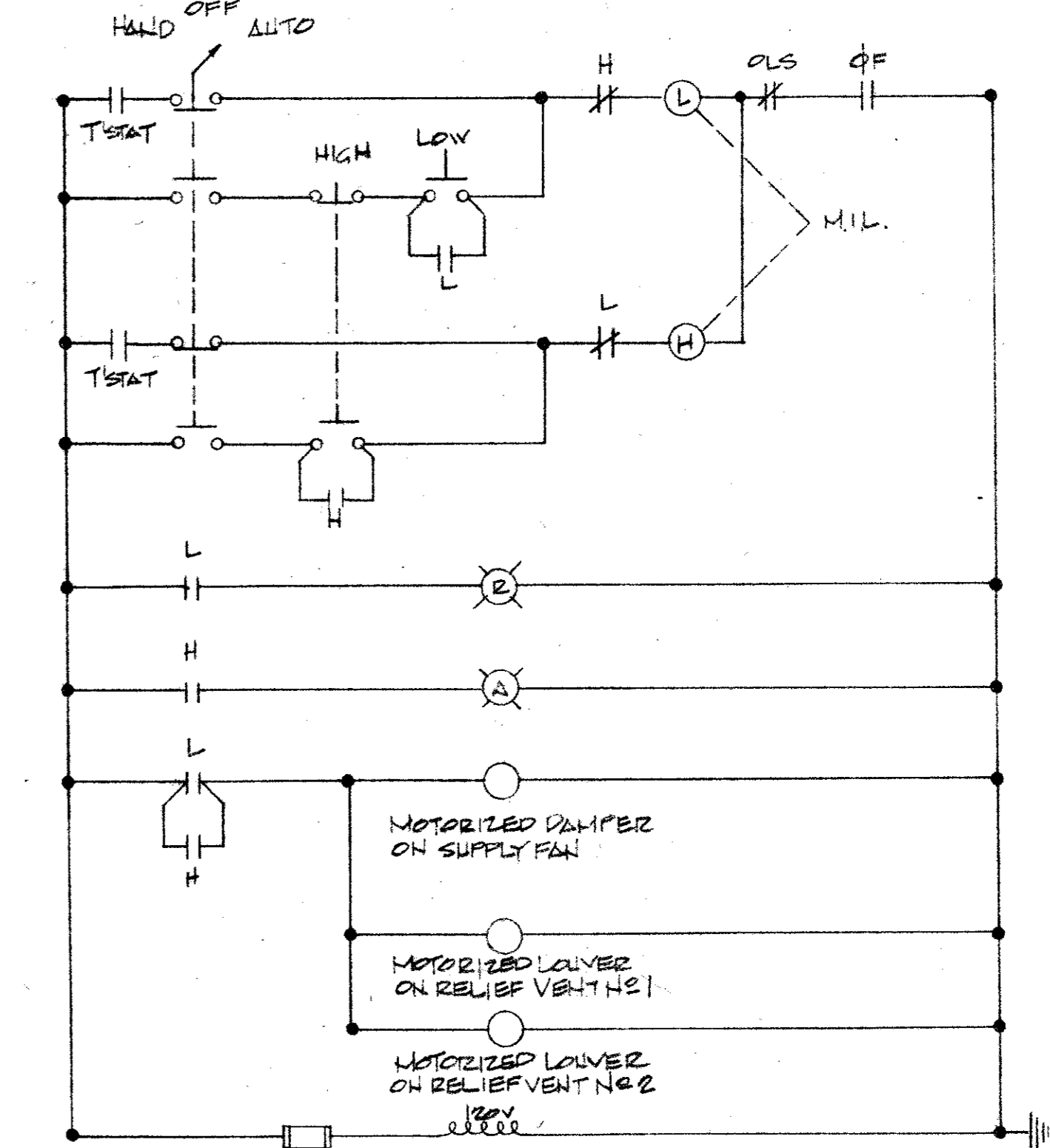


3 PUMP ALTERNATOR DIAGRAM

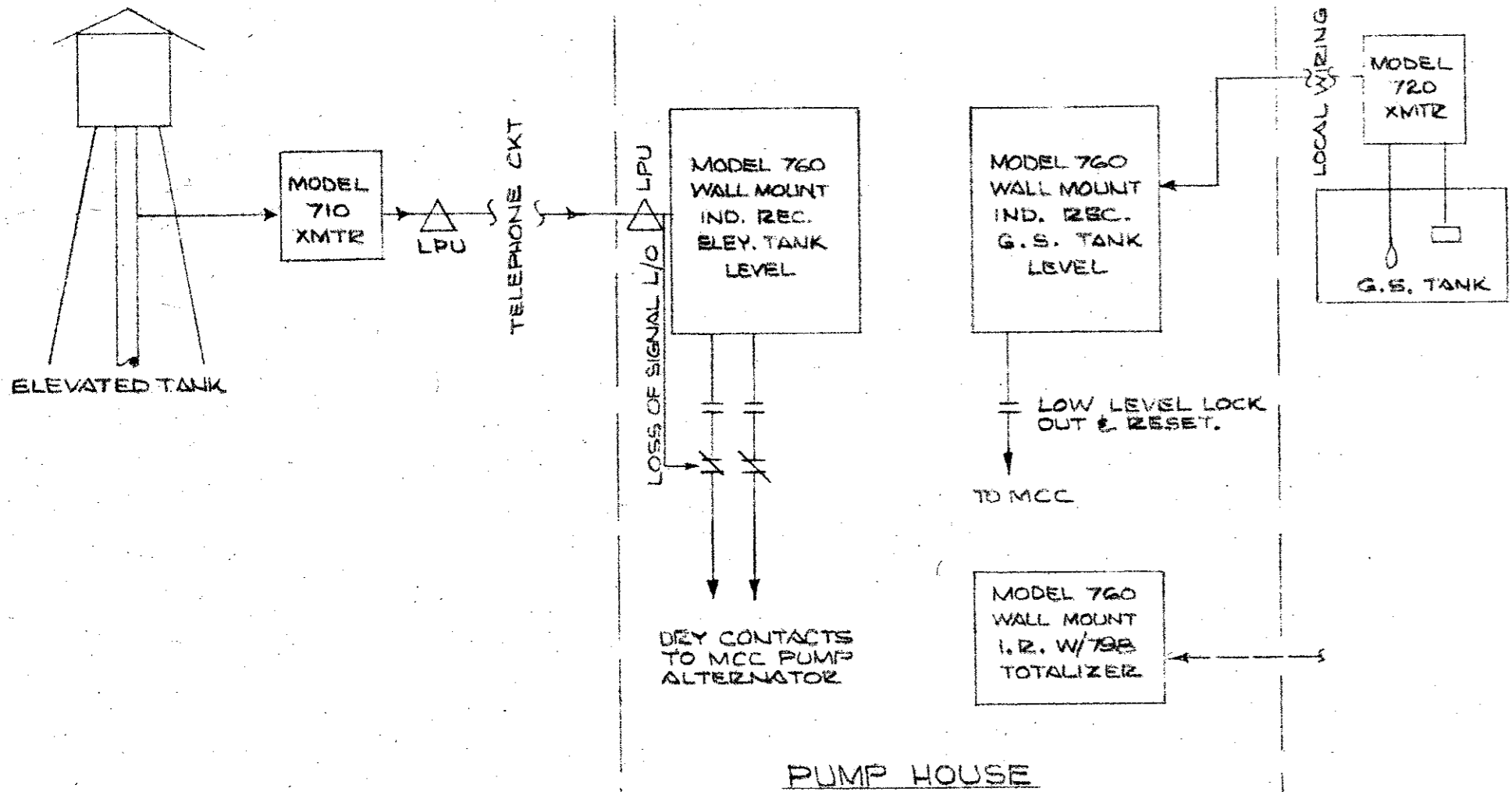
UNIT HEATER SCHEDULE										
MARK	KW	VOLT	PHASE	CFM	ΔT	MANUFACT'G	CAT NO	COMMENTS		
UH-1	1 1/2	480	3	670	40	CHROMOLOX	LWH-01-08	UH-1 & UH-2 TO HAVE INTEGRAL CONTACTORS & BOTH UNITS TO BE COMMONLY CONTROLLED BY VV200		
UH-2	1 1/2	480	3	670	40	CHROMOLOX	LWH-01-08	REMOTE TEST.		
UH-3	2.0	240	1	310	27	CHROMOLOX	LWH-02-16	UH-3 TO HAVE INTEGRAL TEST. UH-1, 2, 3 UNIT HEATERS TO HAVE WUH WALL BELT		
UH-4	2.0	240	1			CHROMOLOX	RSF-420	UH-4 TO HAVE RF-AC-3 WALL BOX		

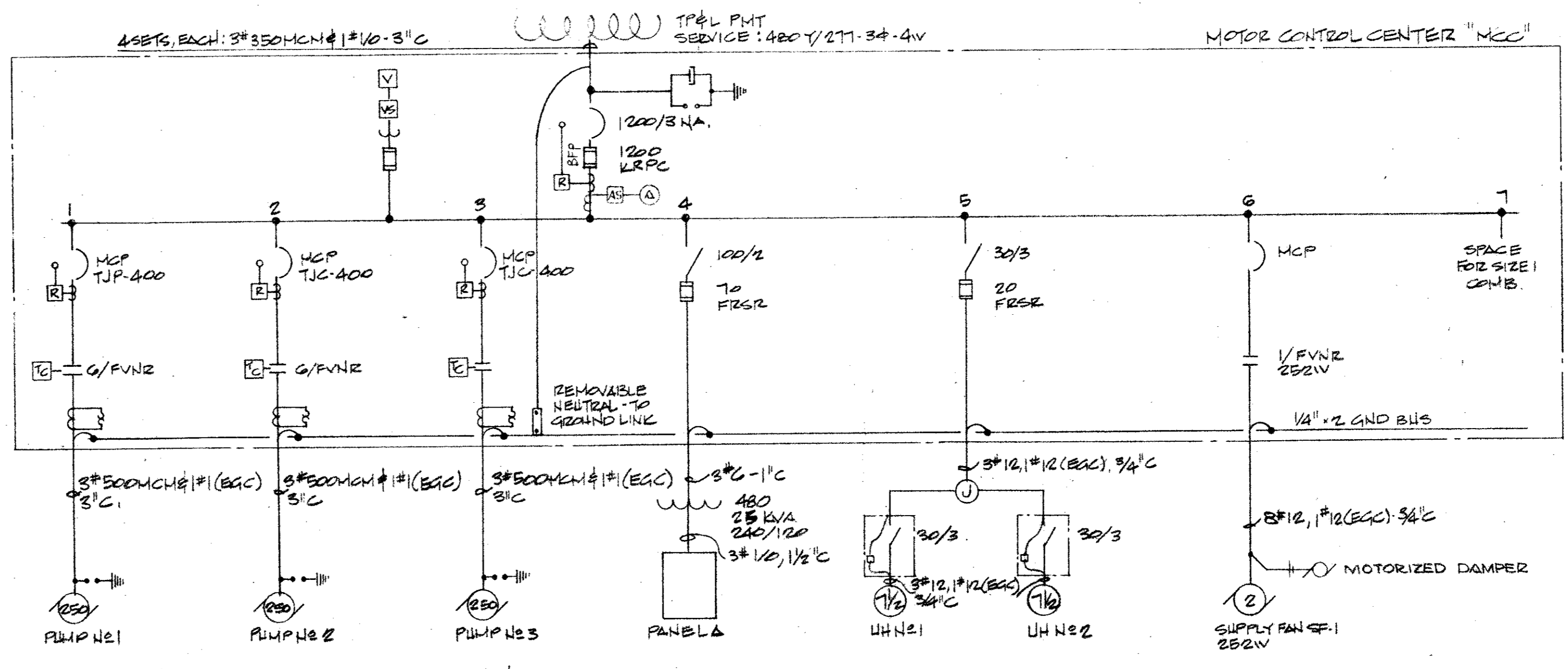
FAN SCHEDULE											
MARK	TYPE	CFM	SP	SCALES	HP	SPEED	VOLTAGE	DAMPER	MANUFACT'G	CAT NO	MFG.
SF-1	SUPPLY	11000	0.5	95.5	2	35-2V	400/3	TES-MOTORIZED-12V	ACME	ECHALLS	ROOF
VF-2	EXHAUST	270	0.25	-	1/82	15	120/1	TES-GRAVITY	ACME	PV-15	WALL
VF-3	EXHAUST	160	0.25	-	1/82	15	120/1	TES-GRAVITY	ACME	PRL-14	ROOF



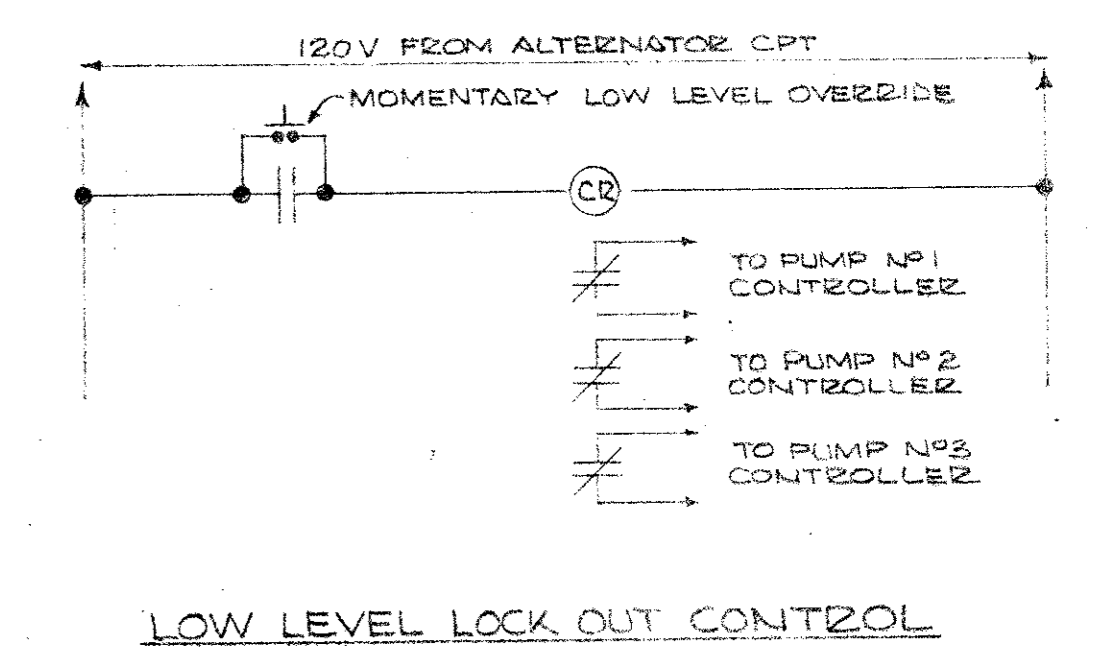
TWO SPEED FAN DIAGRAM



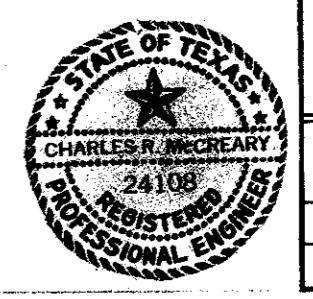
INSTRUMENTATION PICTORIAL  
(SPARKING CAT. NOS)



POWER RISER DIAGRAM



LOW LEVEL LOCK OUT CONTROL



CITY OF ADDISON  
DALLAS COUNTY, TEXAS

WATER PUMP STATION  
AND WATER MAINS

**ELECTRICAL**

GINN & STACY, INC.  
CONSULTING ENGINEERS — DALLAS, TEXAS

DESIGNED BY: *WJM* SCALE: *As Noted* Sheet 23 of 24  
DRAWN BY: *WJM* DATE: \_\_\_\_\_