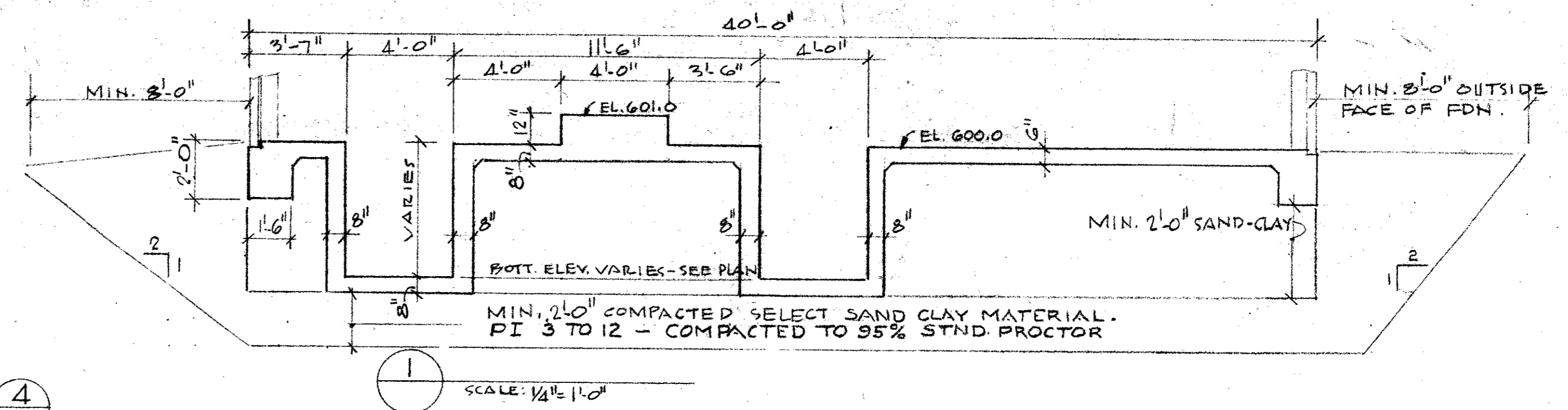
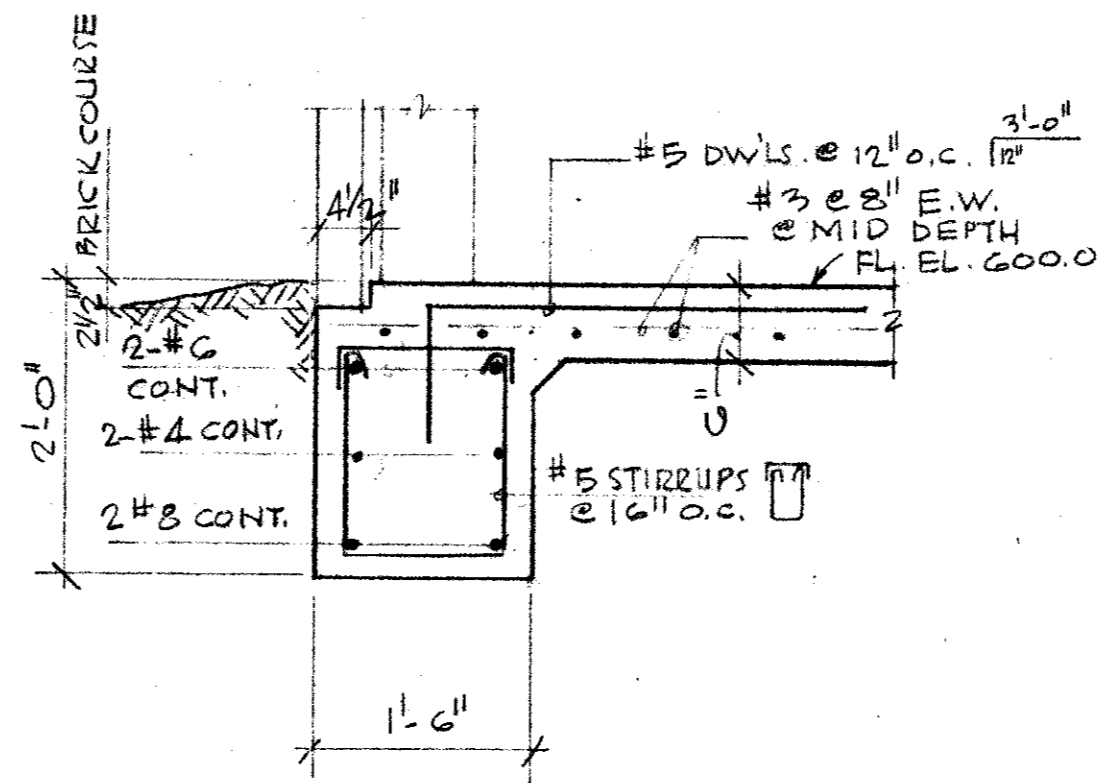


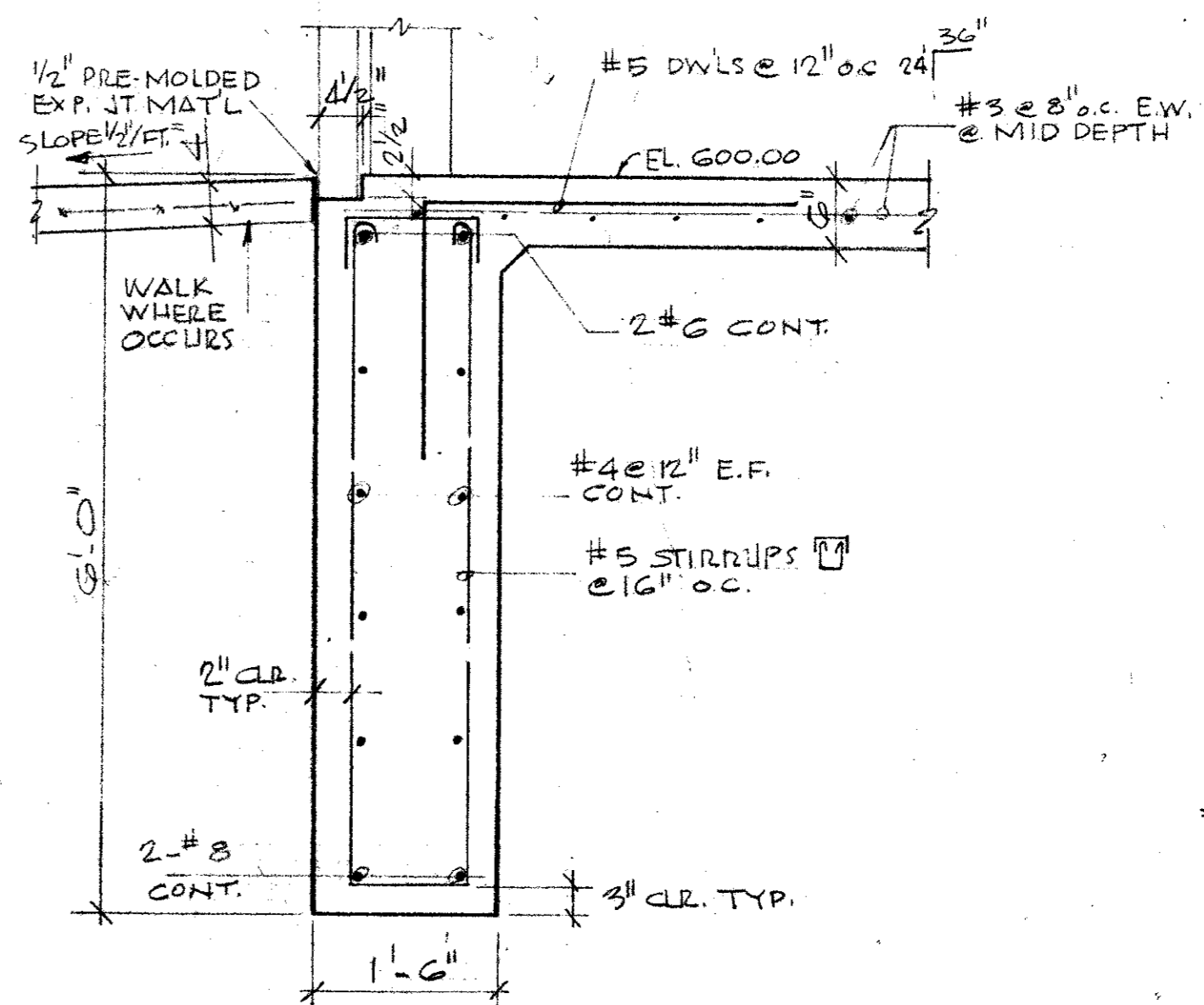
FOUNDATION PLAN - 1/4" = 1'-0"



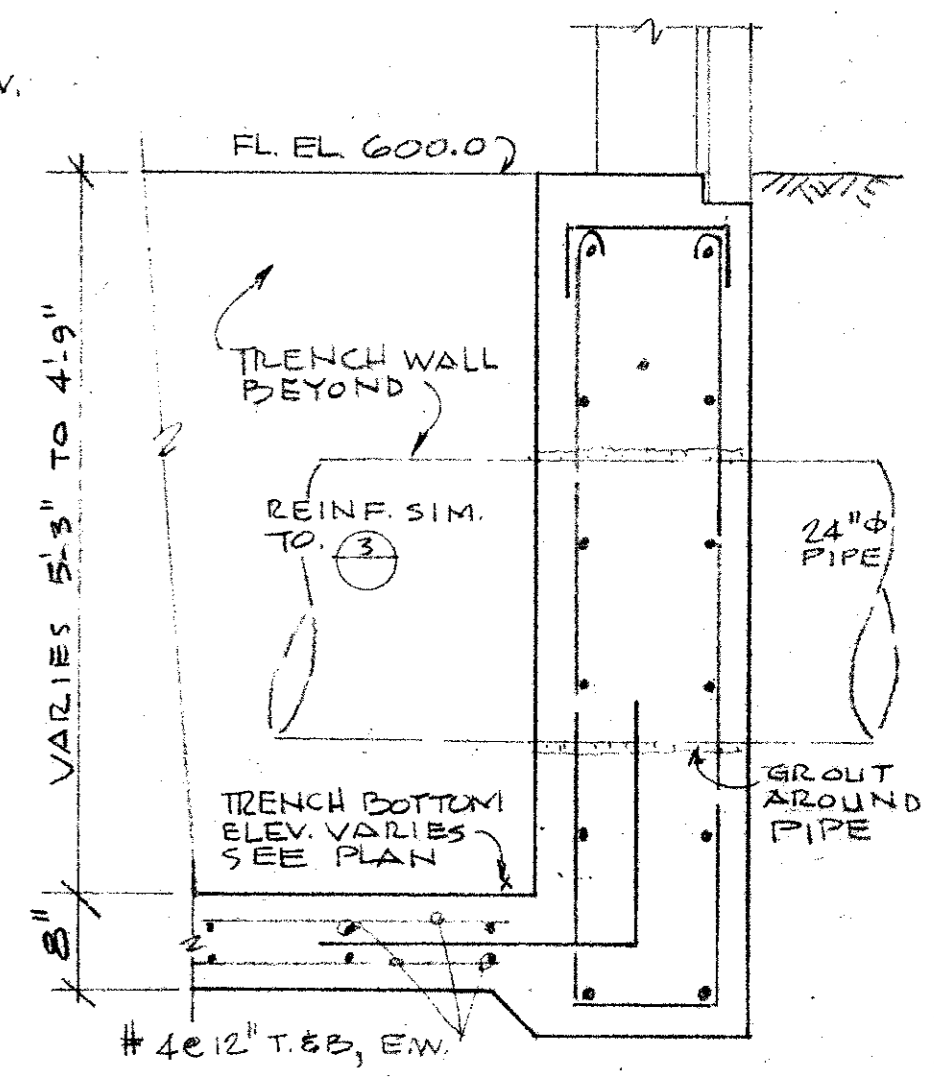
SCALE: 1/4" = 1'-0"



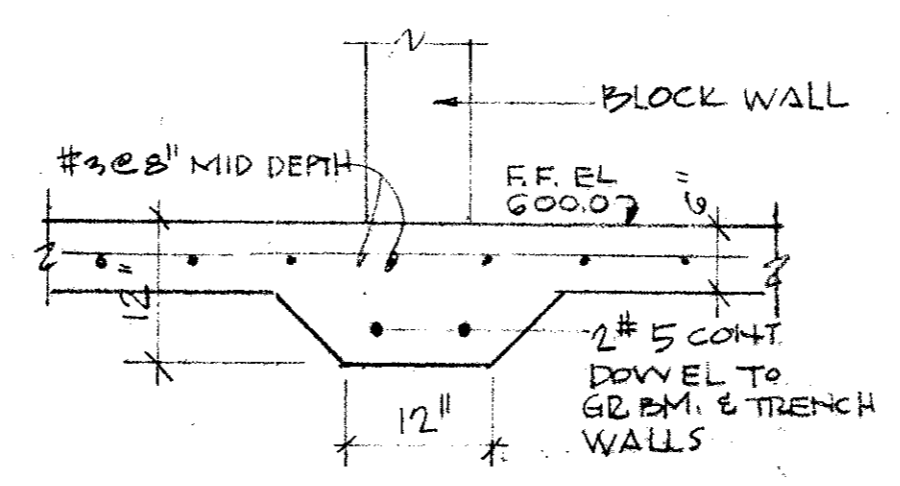
2 GR. B.M. @ NORTH & SOUTH EXTERIOR WALLS SCALE: 3/4" = 1'-0"



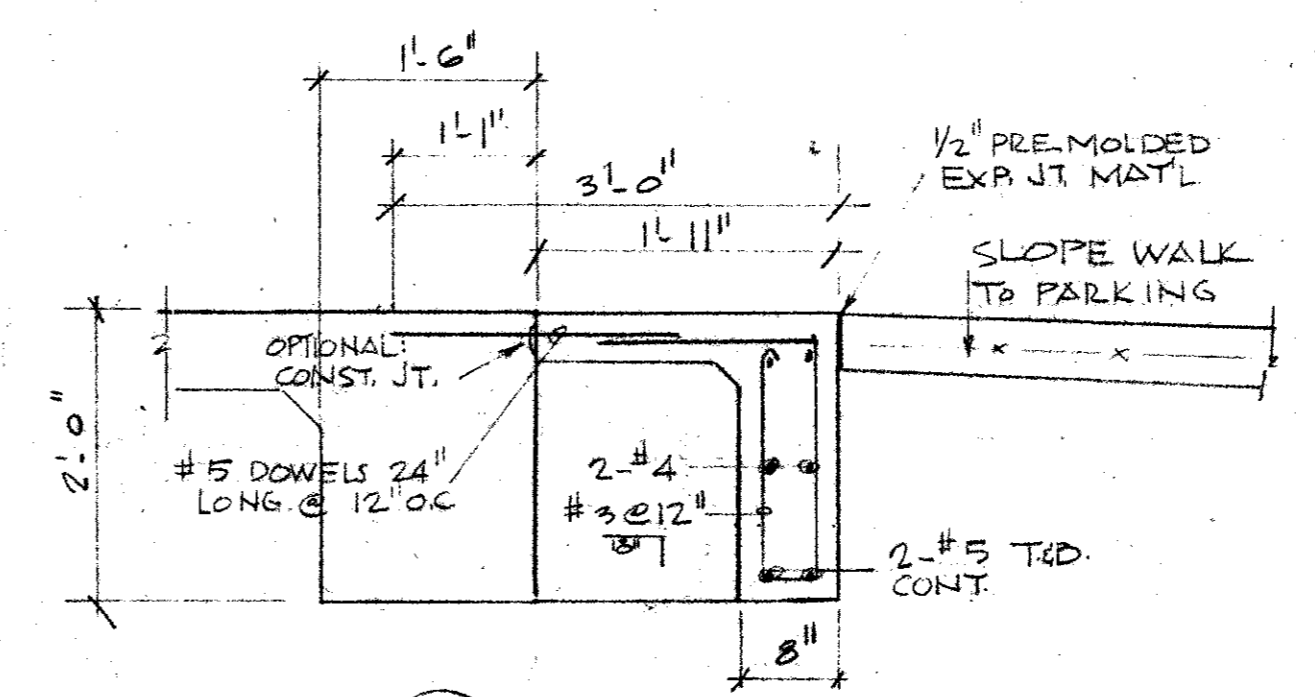
3 GR. B.M. @ EAST & WEST EXTERIOR WALLS SCALE: 3/4" = 1'-0"



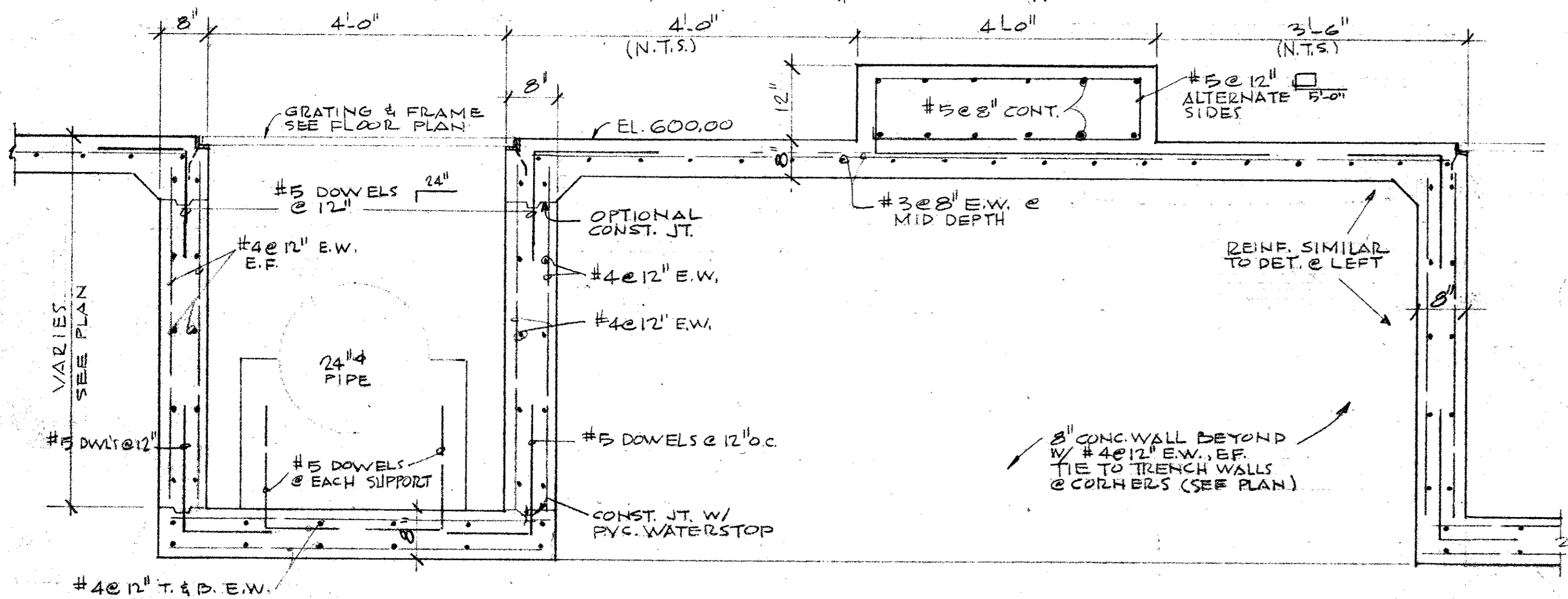
4 SCALE: 3/4" = 1'-0"



5 SCALE: 3/4" = 1'-0"



7 SCALE: 3/4" = 1'-0"



6 SCALE: 3/4" = 1'-0"

GENERAL NOTES

1. CONCRETE SHALL ATTAIN 28-DAY MIN. COMPRESSIVE STRENGTH OF 4000 P.S.I. FOR ALL STRUCTURAL CONC.
2. REINFORCING SHALL CONFORM TO A.S.T.M. A-615, GRADE 60.
3. PROVIDE ALL NECESSARY REINF. STEEL ACCESSORIES TO HOLD BARS IN PROPER POSITION.
4. REINF. TO BE DETAILED IN ACCORDANCE WITH ACI STANDARD 315.
5. PROVIDE CORNER BARS OF THE SAME SIZE & NUMBER AS HORIZONTAL BARS AT ALL CORNERS.
6. LAP ALL BARS 24 BAR DIAMETERS.



CITY OF ADDISON
DALLAS COUNTY, TEXAS
WATER PUMP STATION
AND WATER MAINS

FOUNDATION PLAN & DETAILS

GINN & STACY, INC.
CONSULTING ENGINEERS - DALLAS, TEXAS

DESIGNED BY: *[Signature]* SCALE: AS SHOWN
DRAWN BY: *[Signature]* DATE: AUG. 77

Sheet 18 of 24