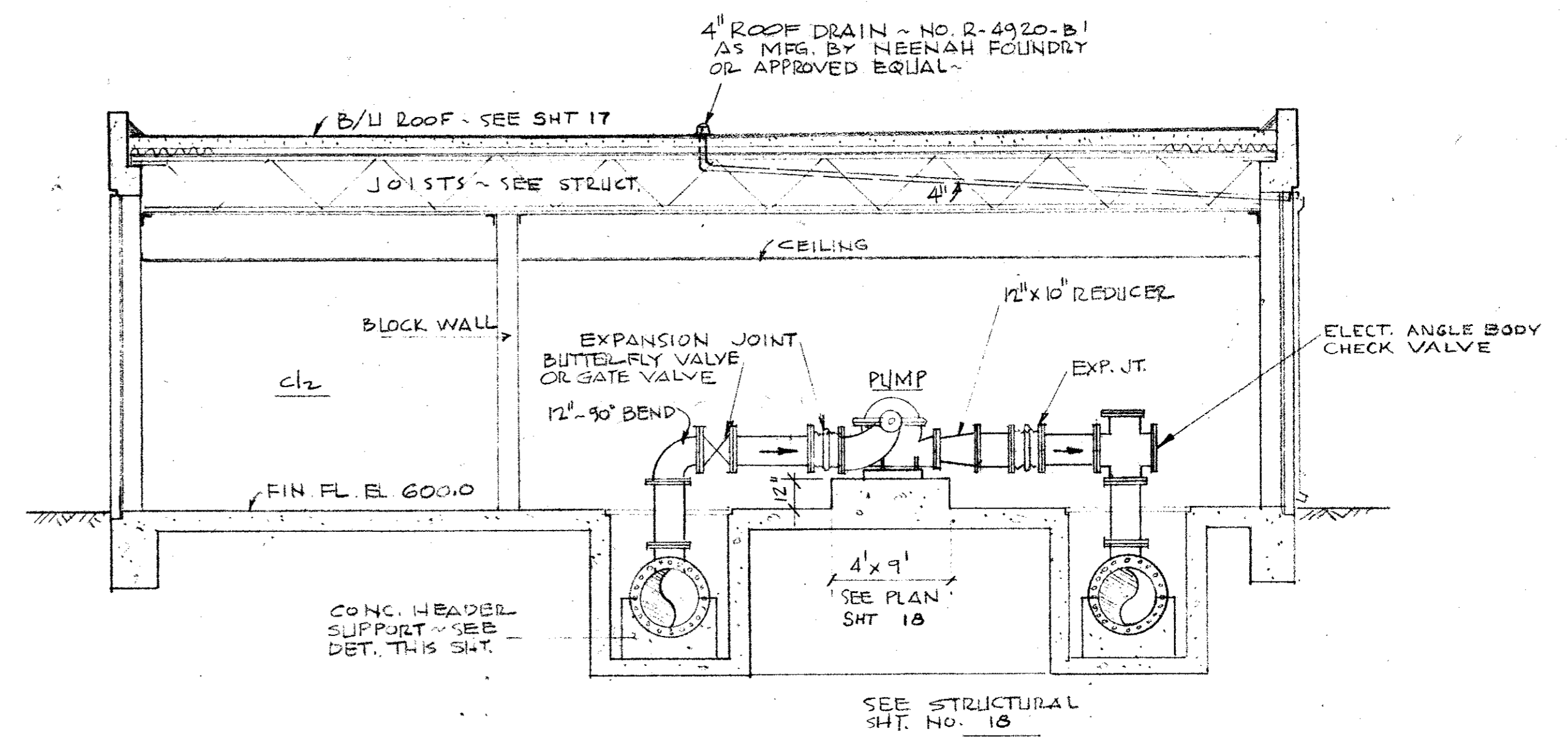
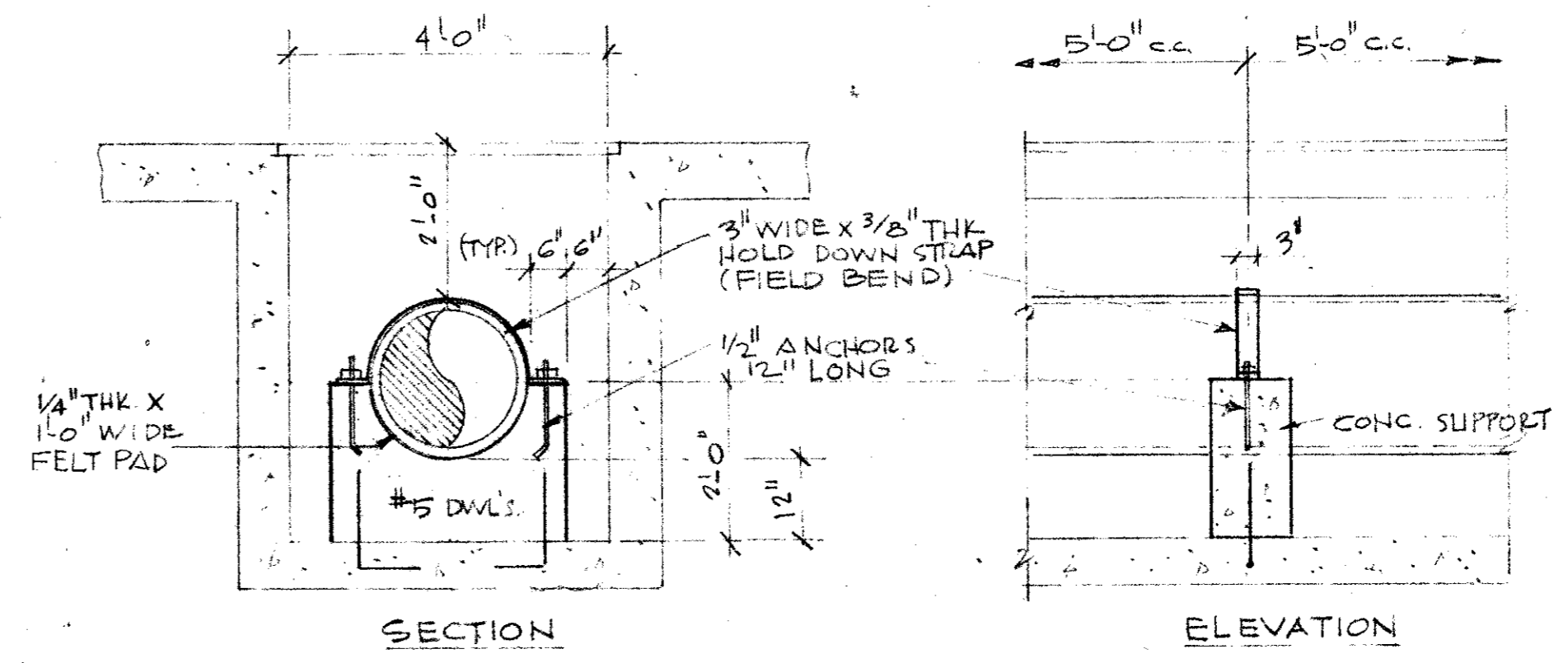


**PUMP STATION PIPING PLAN**  
 SCALE: 1/4" = 1'-0"  
 NORTH

NOTE: DUCTILE IRON PIPE SHALL BE USED THRU WALLS AND INSIDE PUMP STATION. NO SUBSTITUTION WILL BE ALLOWED. VALVES MAY BE GATE OR BUTTERFLY UNLESS SPECIFICALLY DESIGNATED.



**SECTION A-A**  
 SCALE: 1/4" = 1'-0"



**TYPICAL HEADER PIPE SUPPORT**  
 SCALE: 1/2" = 1'-0"



CITY OF ADDISON DALLAS COUNTY, TEXAS	
WATER PUMP STATION AND WATER MAINS	
PUMP STATION PIPING PLAN	
GINN & STACY, INC. CONSULTING ENGINEERS - DALLAS, TEXAS	
DESIGNED BY: <i>HVE</i>	SCALE: AS SHOWN
DRAWN BY: <i>GF</i>	DATE: AUG. 77
Sheet 14 of 24	