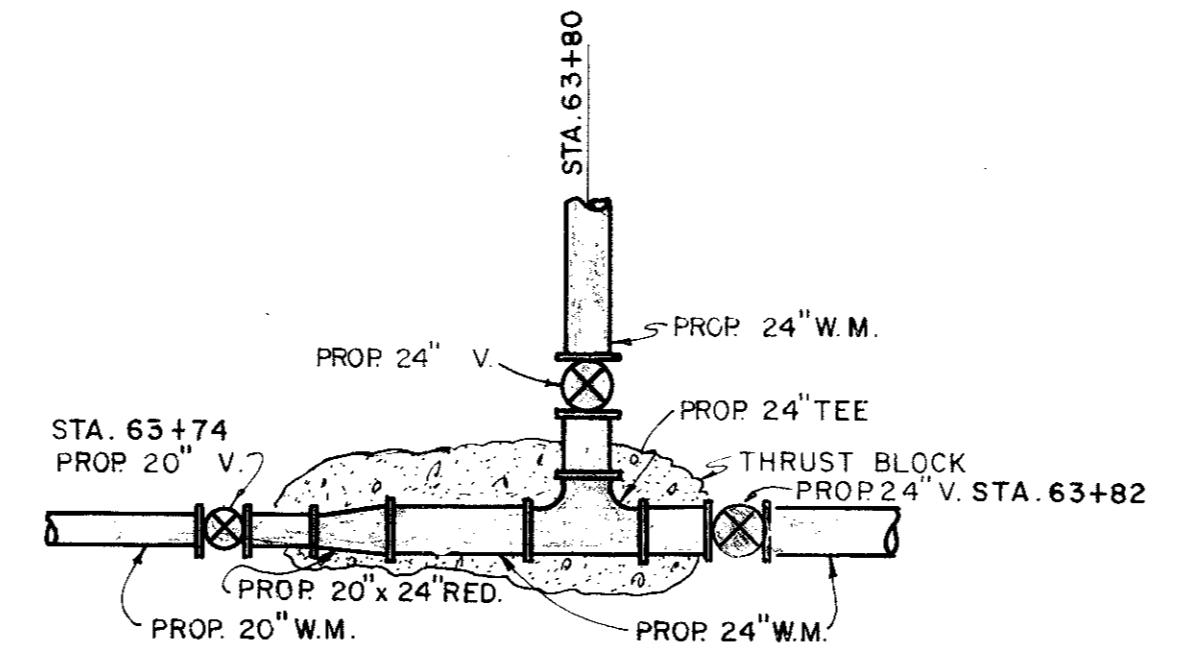
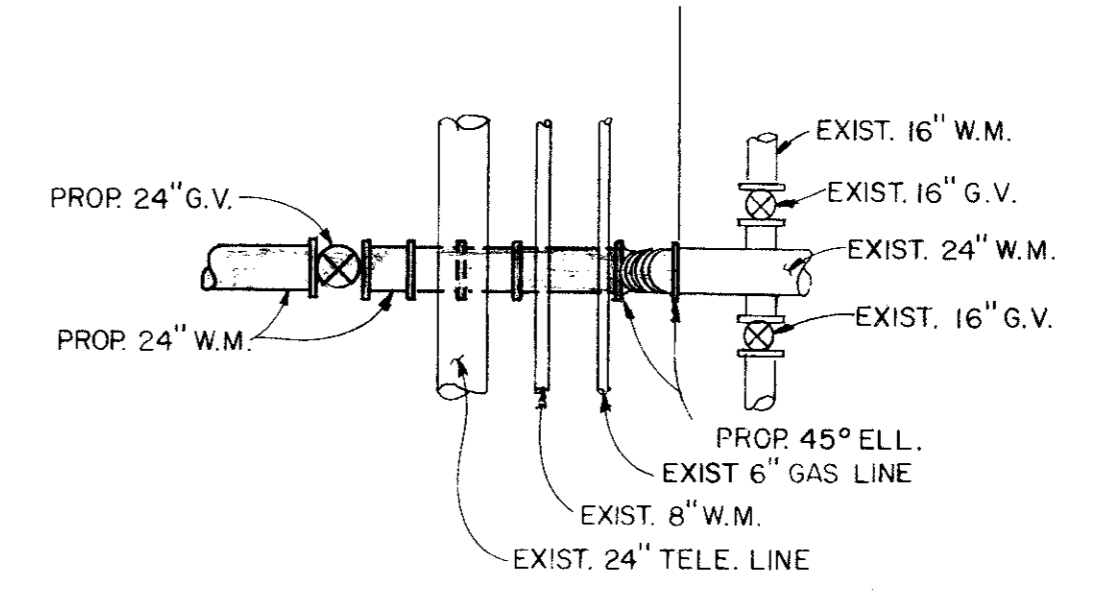


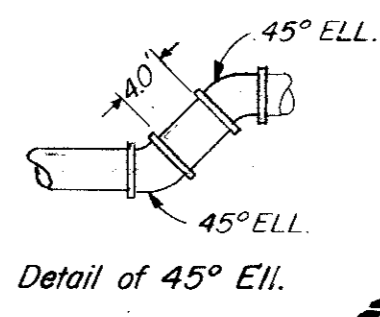
DETAIL "1"
N. T. S.



DETAIL "2"
N. T. S.



DETAIL "3"
N.T.S.



Detail of 45° Ell.

- Scale: 1" = 100'
- LEGEND**
- Hub & Tack
 - CORP Monument
 - P.P. Power Pole
 - W.M. Water Meter
 - W.V. Water Valve
 - W.H. Water Hydrant
 - F.H. Fire Hydrant
 - G.M. Gas Meter
 - T. Telephone Box
 - Guy Wire
 - I.P. Iron Pin
 - M.B. Mail Box
 - Water Line
 - Gas Line
 - - - - - Underground Telephone



CITY OF ADDISON
DALLAS COUNTY, TEXAS
WATER IMPROVEMENTS

LINE "B" - STA. 63+40 TO STA. 87+80
LINE "C" - STA. 63+00 TO STA. 63+40
LINE "AA" - STA. 0+00 TO STA. 7+70

GINN & STACY, INC.
CONSULTING ENGINEERS - DALLAS, TEXAS

Designed By: J. O. S. Scale: As Shown
Drawn By: G. L. H. Date: 1977

Sheet 6