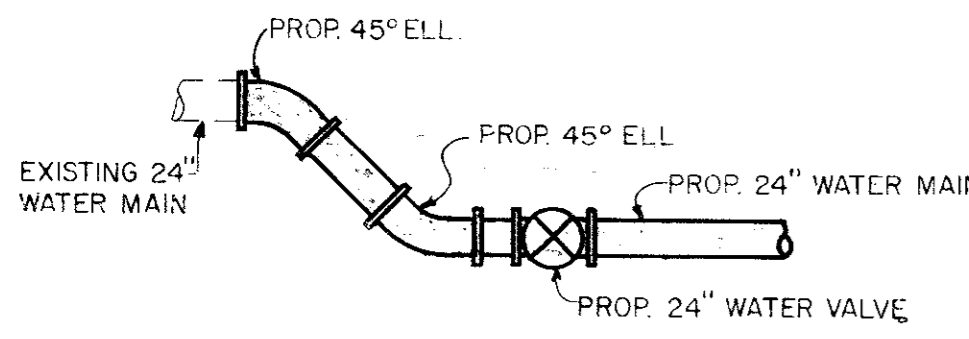
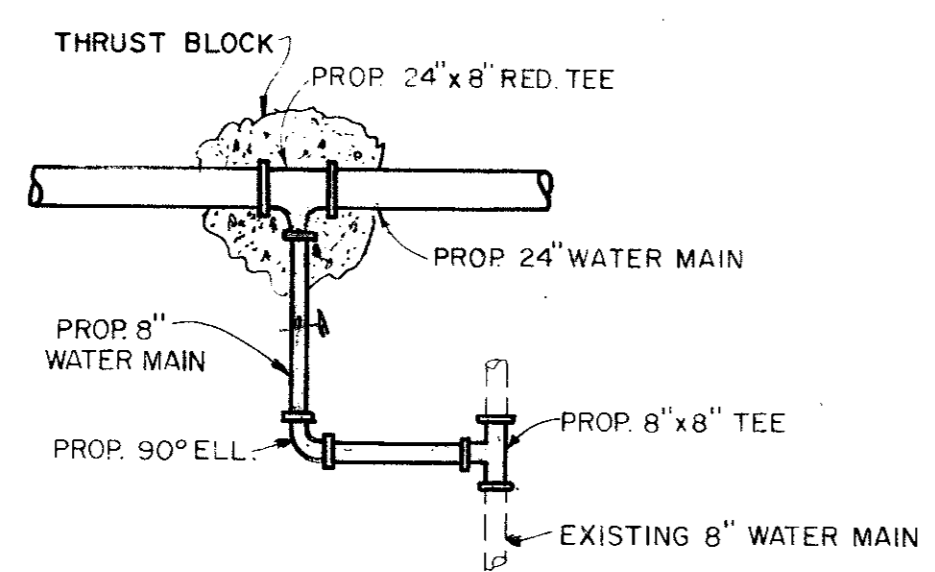


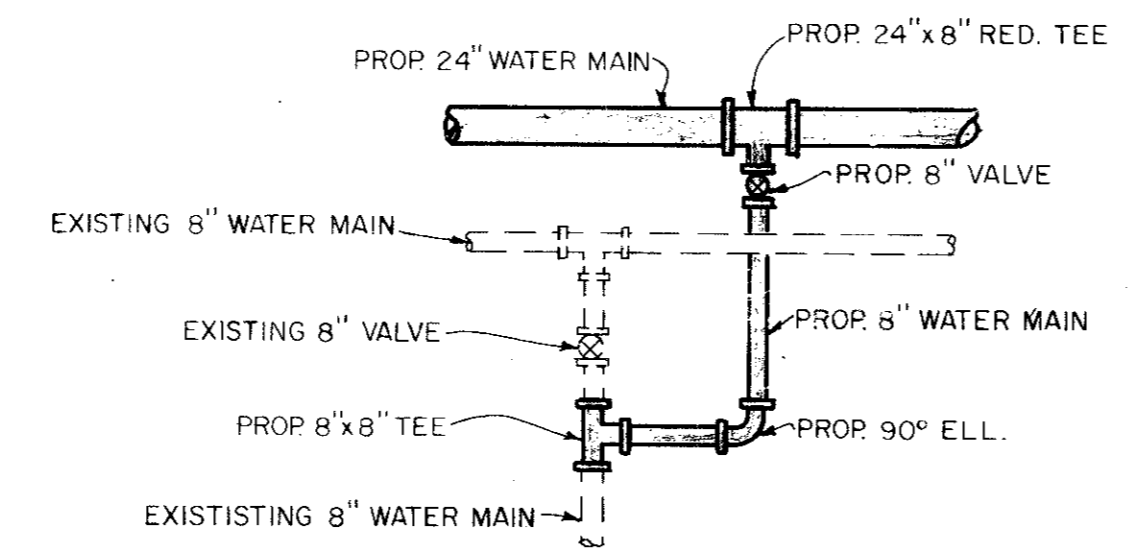
MATCH LINE STA. 30+00
(SEE SH 8)



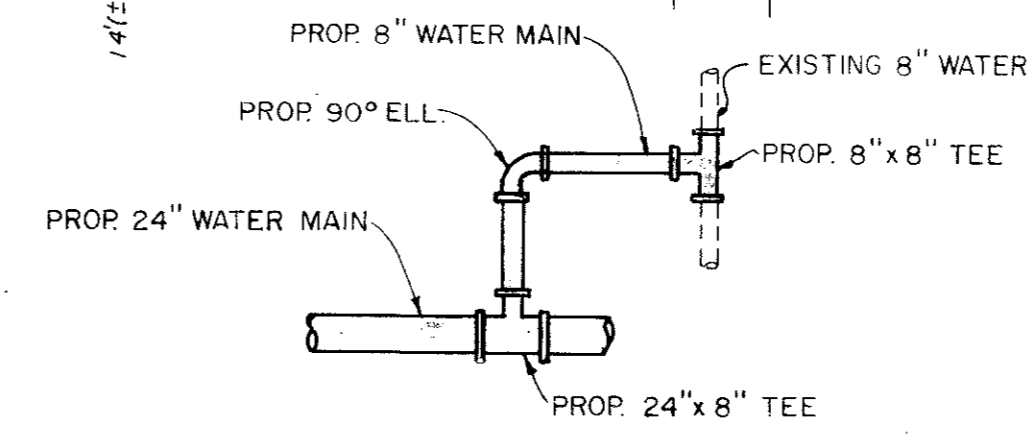
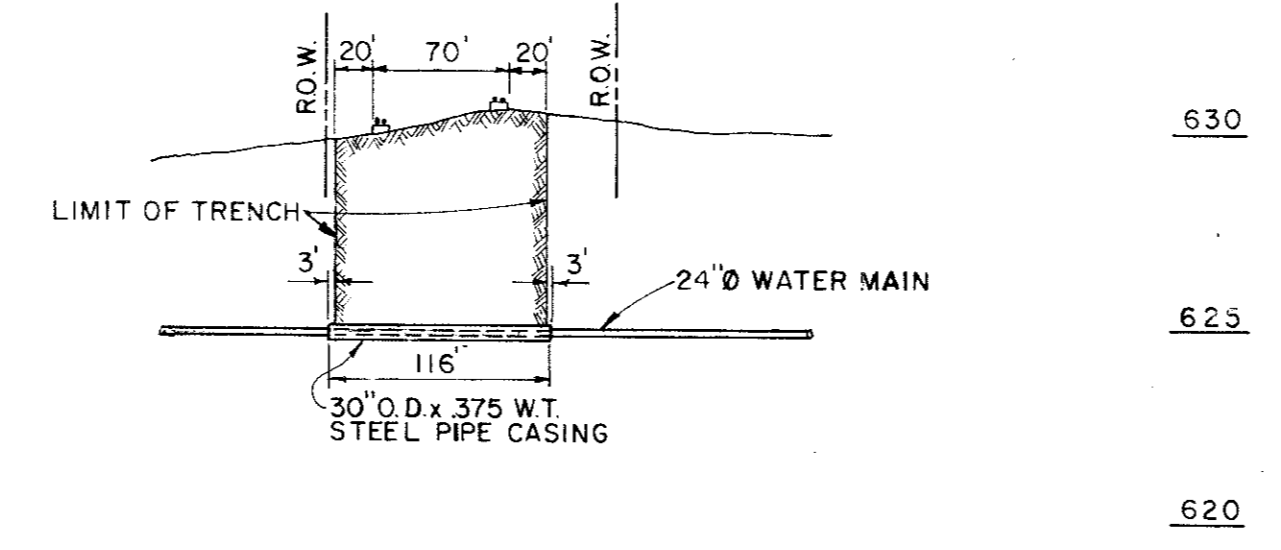
DETAIL "1"
N.T.S.



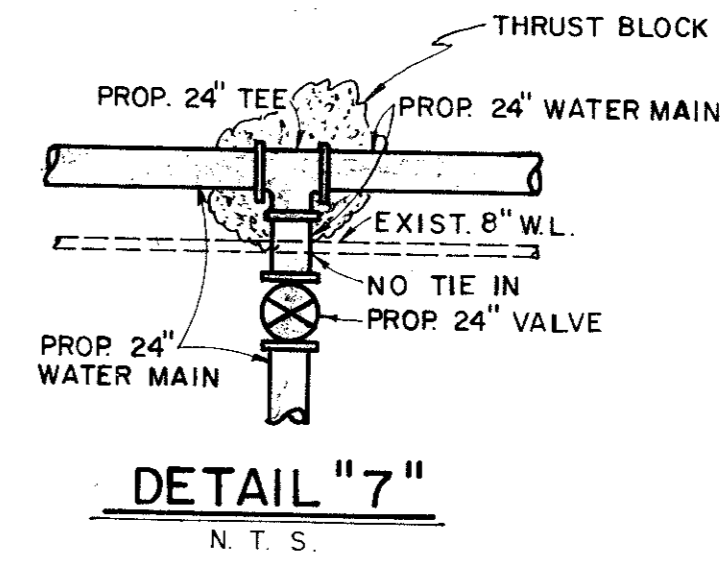
DETAIL "2"
N.T.S.



DETAIL "3"
N.T.S.
BORE NO. 3
120'

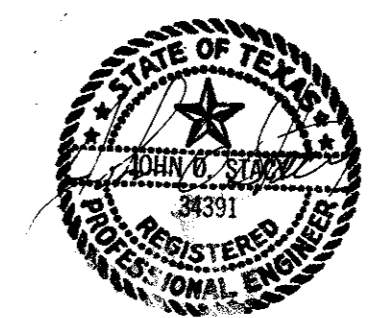
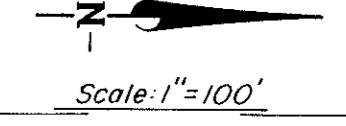


DETAIL "6"
N.T.S.



DETAIL "7"
N.T.S.

- LEGEND**
- Hub & Tack
 - CORP Monument
 - PP Power Pole
 - W.M. Water Meter
 - W.V. Water Valve
 - W.H. Water Hydrant
 - F.H. Fire Hydrant
 - G.M. Gas Meter
 - T Telephone Box
 - Guy Wire
 - I.P. Iron Pin
 - M.B. Mail Box
 - Water Line
 - Gas Line
 - - - Underground Telephone



CITY OF ADDISON
DALLAS COUNTY, TEXAS
WATER IMPROVEMENTS

LINE "L"
STA. 0+00 TO STA. 30+00
LINE "LL"
STA. 0+00 TO STA. 8+00

GINN & STACY, INC.
CONSULTING ENGINEERS DALLAS, TEXAS

Designed By: J.G.S. Scale: As Shown
Drawn By: G.L.H. Date: 1977

Sheet 7 of 7