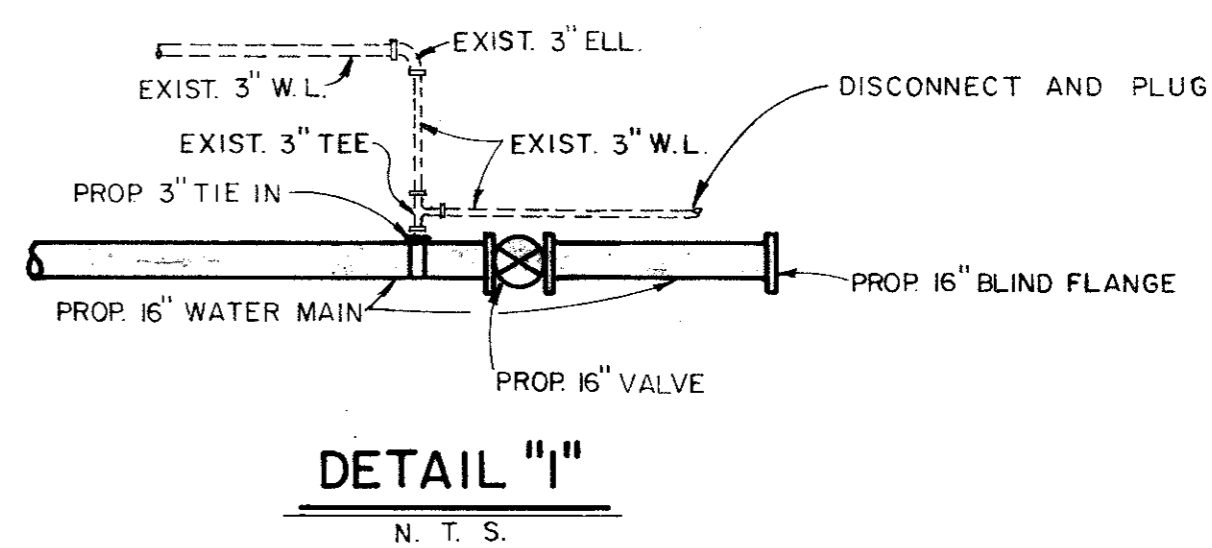
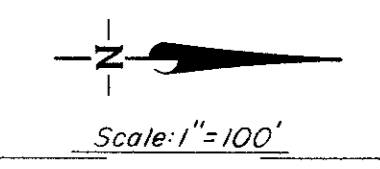


TYPICAL AIR VALVE SETTING
N. T. S.



DETAIL "I"
N. T. S.



LEGEND

- Hub & Tack
- CORP Monument
- Power Pole
- W.M. Water Meter
- W.V. Water Valve
- W.H. Water Hydrant
- F.H. Fire Hydrant
- G.M. Gas Meter
- T. Telephone Box
- Guy Wire
- I.P. Iron Pin
- M.B. Mail Box
- Water Line
- Gas Line
- - - - - Underground Telephone



CITY OF ADDISON
DALLAS COUNTY, TEXAS

WATER IMPROVEMENTS

LINE "Q"

STA. 82+00 TO STA. 112+00
END OF CONTRACT

GINN & STACY, INC.
CONSULTING ENGINEERS DALLAS, TEXAS

Designed By: J.O.S. Scale: As Shown
 Drawn By: G.L. Date: 1977

Sheet IC