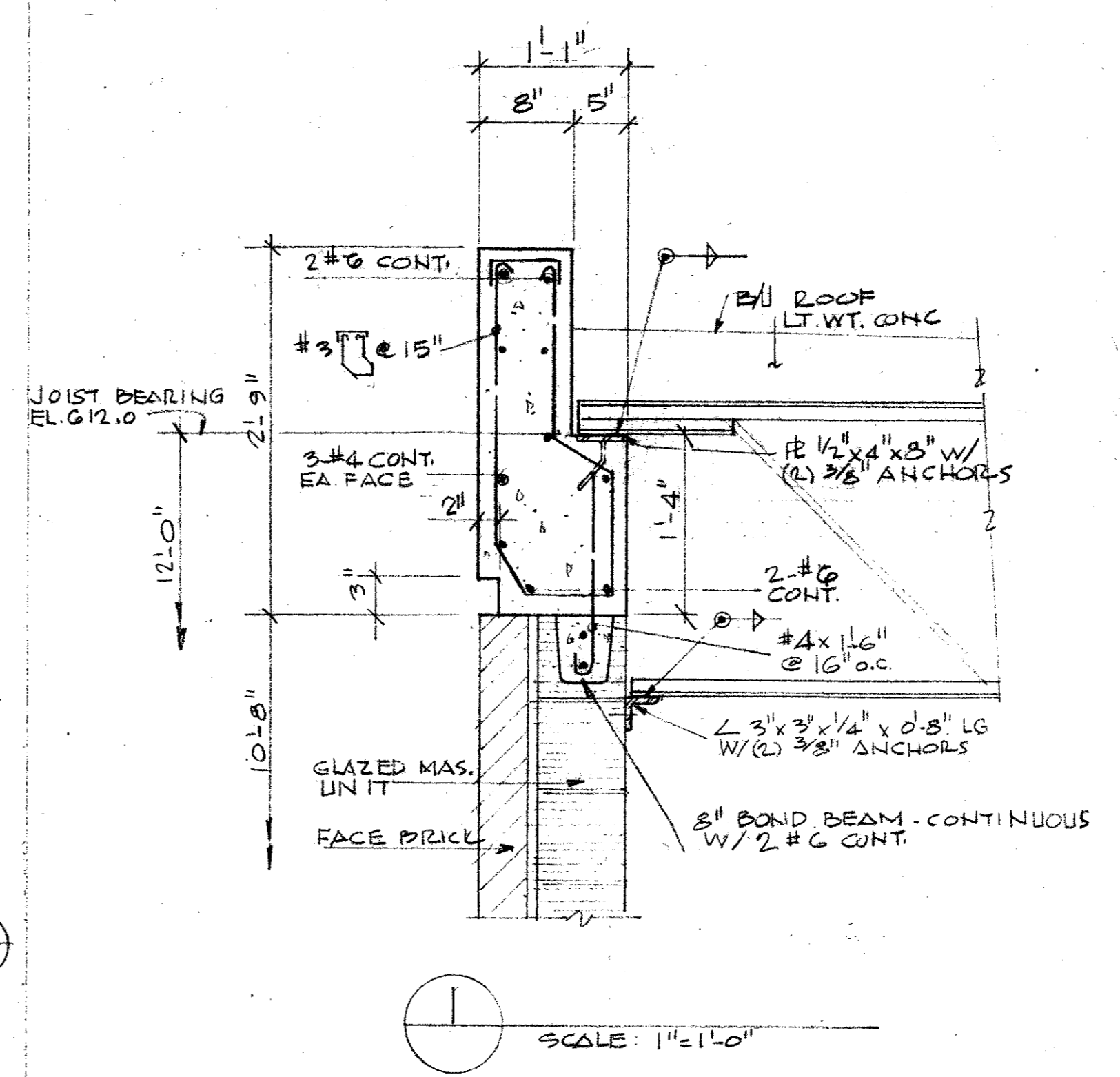
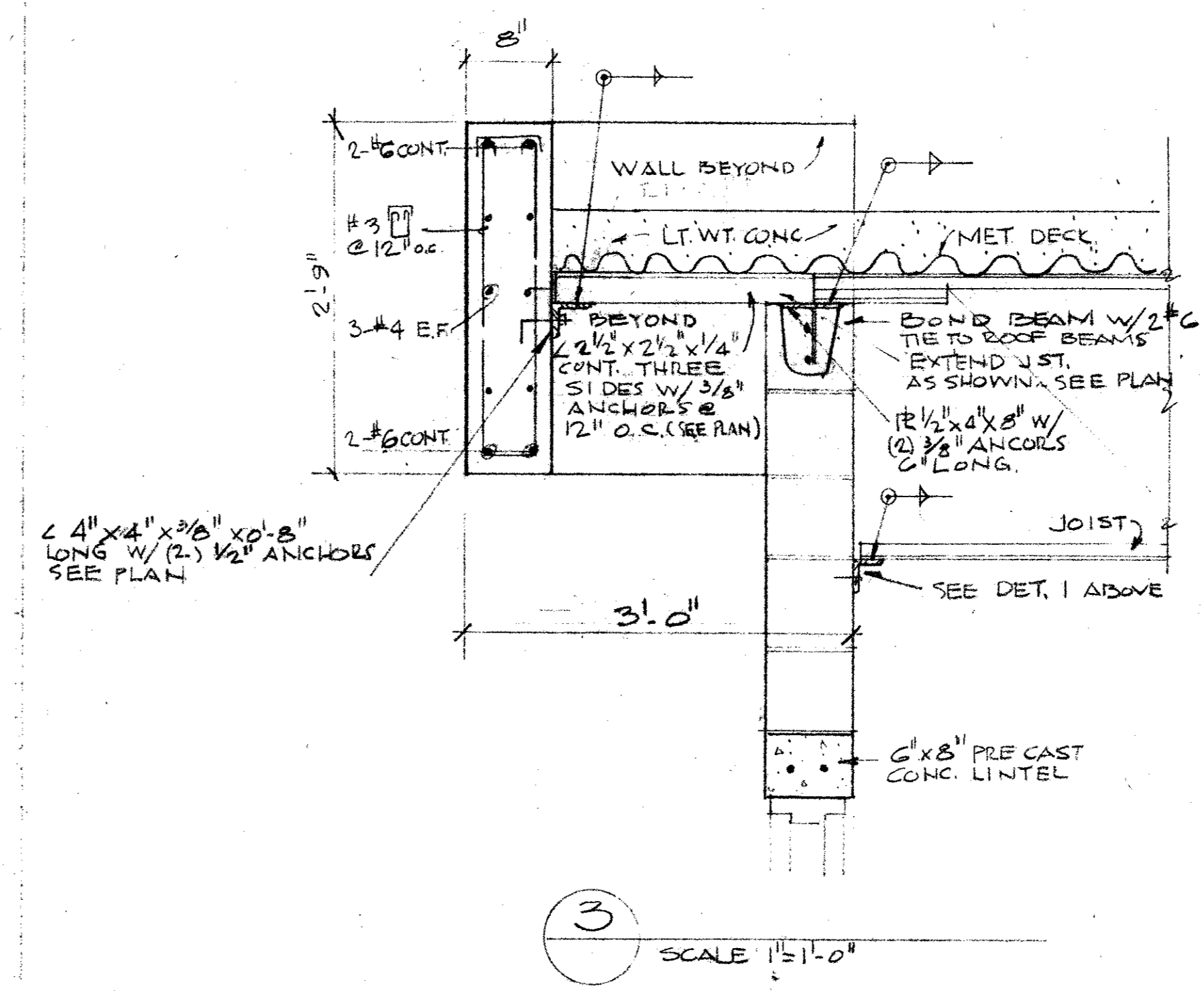


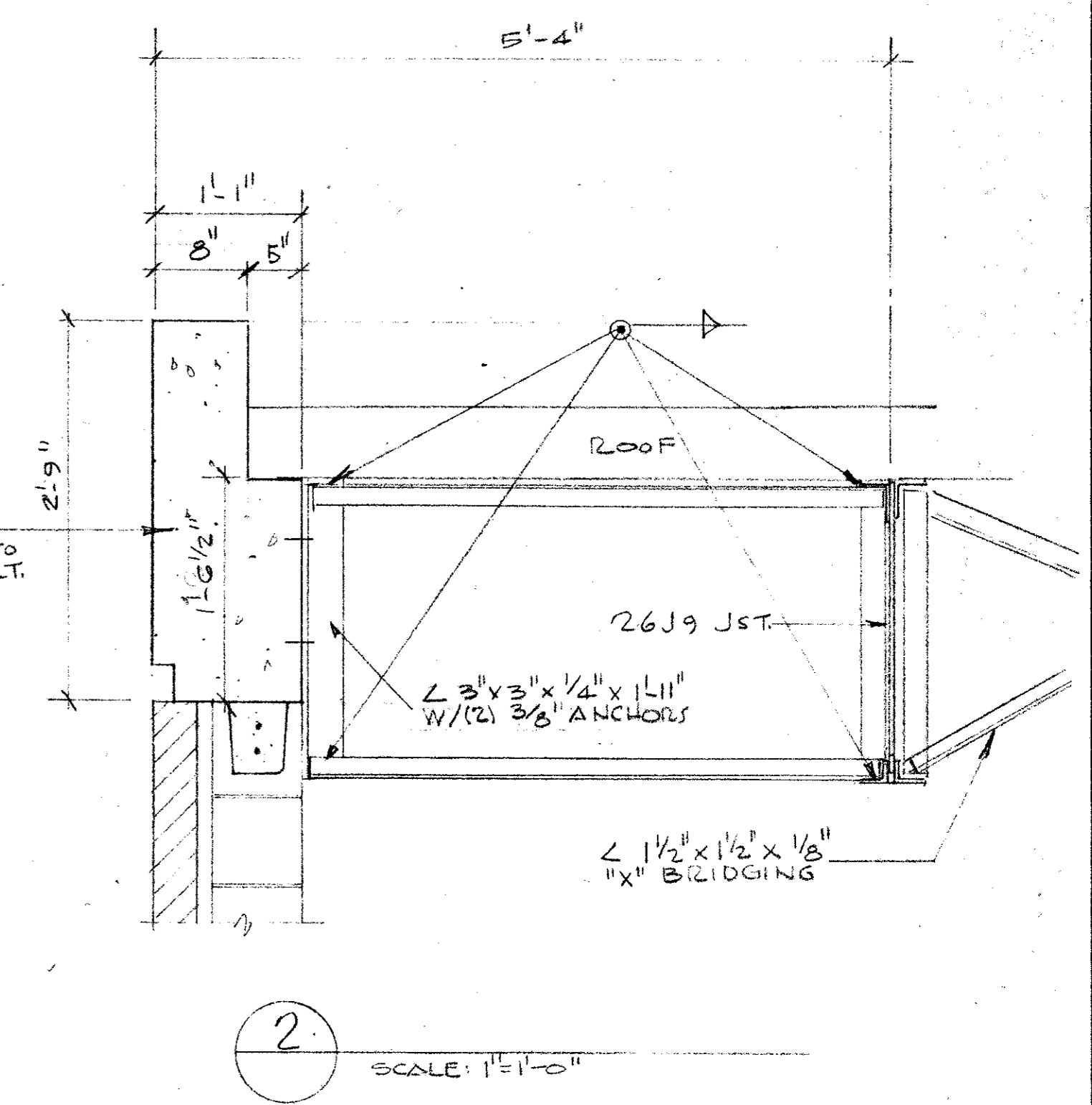
**ROOF FRAMING PLAN**  
SCALE: 1/4" = 1'-0"



SCALE: 1" = 1'-0"



SCALE: 1" = 1'-0"



SCALE: 1" = 1'-0"

**GENERAL NOTES**

1. Structural Steel shall conform to ASTM specification A-36.
2. All connections for structural steel shall be sufficient to fully develop the connected members.
3. Bolts for structural steel shall be ASTM A-325 high-strength bolts.
4. Bar joists shall conform to the Standard specifications of the Steel Joist Institute.
5. Bridging for steel bar joist shall be as shown on the drawings, but in no case shall it be less than that specified by the Steel Joist Institute.
6. Extend bottom chord of all joists and connected to concrete block wall.



CITY OF ADDISON DALLAS COUNTY, TEXAS	
WATER PUMP STATION AND WATER MAINS	
ROOF FRAMING PLAN	
GINN & STACY, INC. CONSULTING ENGINEERS - DALLAS, TEXAS	
DESIGNED BY: <i>WVG</i>	SCALE: <i>AS SHOWN</i>
DRAWN BY: <i>GF</i>	DATE: <i>AUG. 77</i>