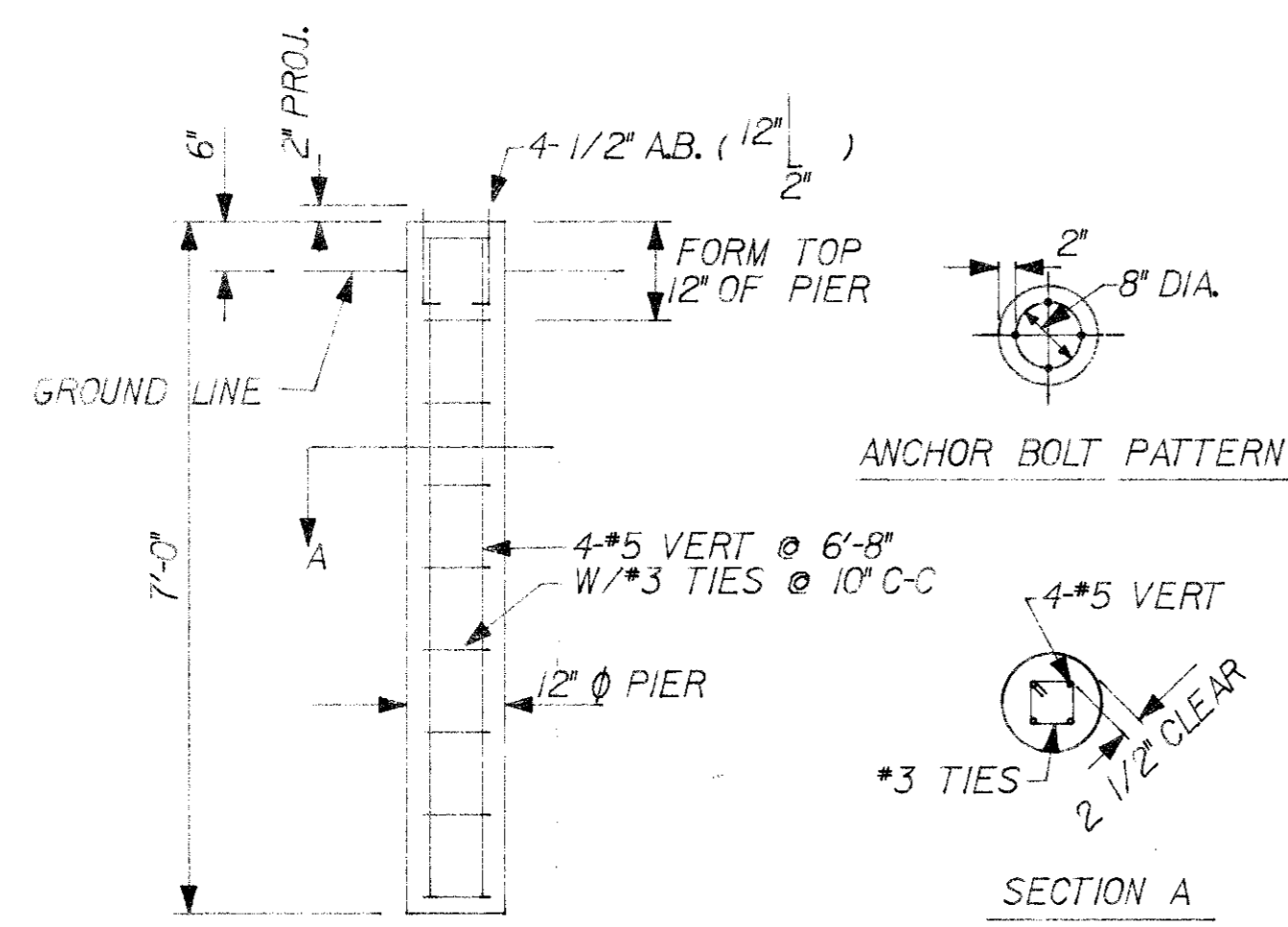
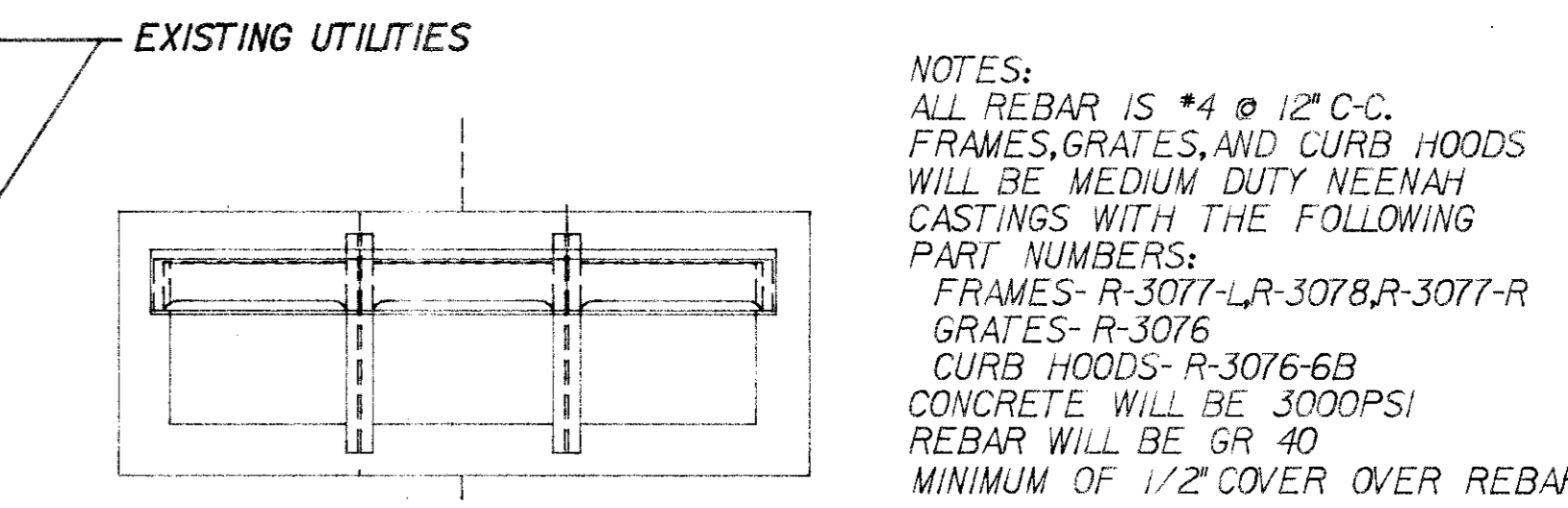


- LEGEND:
- LIGHTING CONDUIT AND WIRE
  - REDUCER
  - CROSS
  - TEE
  - VALVE
  - METER
  - CLEANOUT

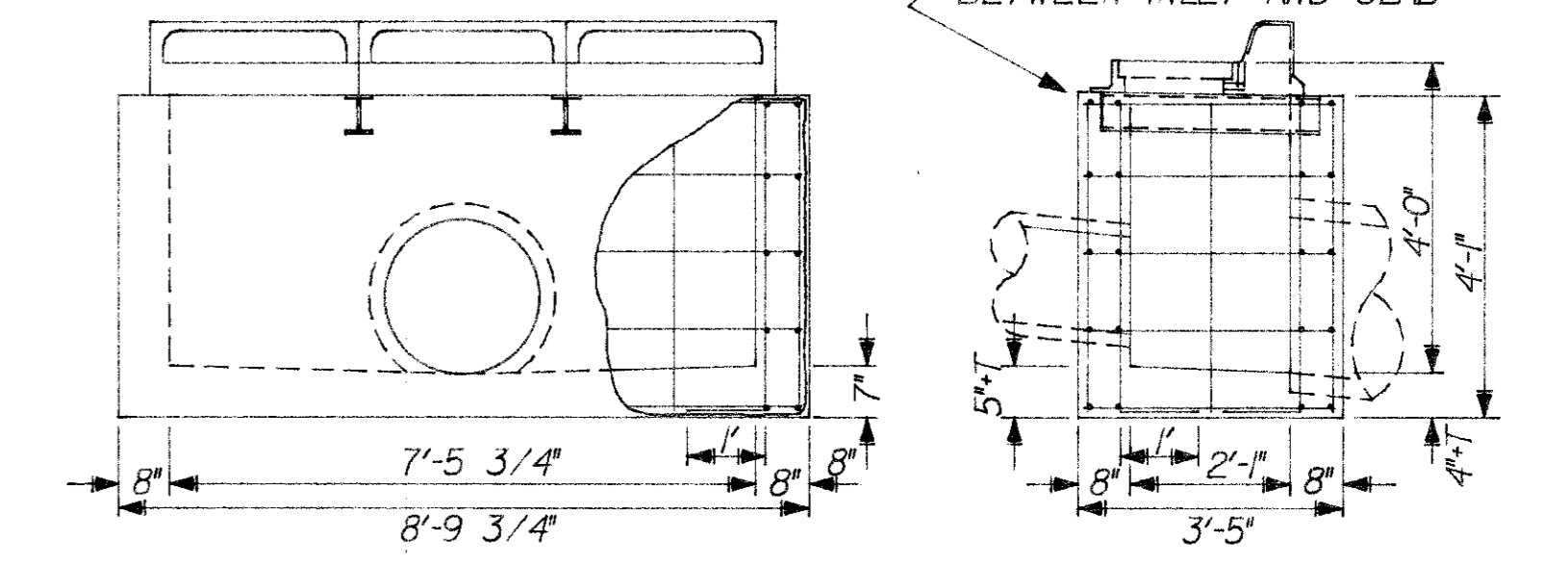
- NOTES:
- 1) BENCH MARK 1' ON TOP OF CURB AT CURB RETURN EAST SIDE OF SURVEYOR BLVD. AND NORTH SIDE OF BELTWAY ROAD. ELEVATION: 596.6
  - 2) UTILITY LOCATIONS ARE APPROXIMATE FINAL LOCATION DETERMINED BY CONTRACTOR
  - 3) FOR TURNING LANE DIMENSIONS SEE TOWN OF ADDISON DETAIL DRAWINGS
  - 4) AT THE TIME THE PARKING LOT LIGHTS ARE PLANNED TO BEGIN THE G.C., MUST CONTACT THE OWNER TO BE SURE THAT ALL OUTSIDE LIGHTING CONDUIT IS PROPERLY PLACED FOR OUTSIDE POLLARD LIGHTS AND OTHER LANDSCAPE LIGHTS.
  - 5) AT EACH LOCATION DESIGNATED THUS --- SUPPLY 1-1/2" PVC SCH. 40 SLEEVE; 4 1-2" PVC SCH. 40 SLEEVE.



LIGHT BASE DETAILS N.T.S.



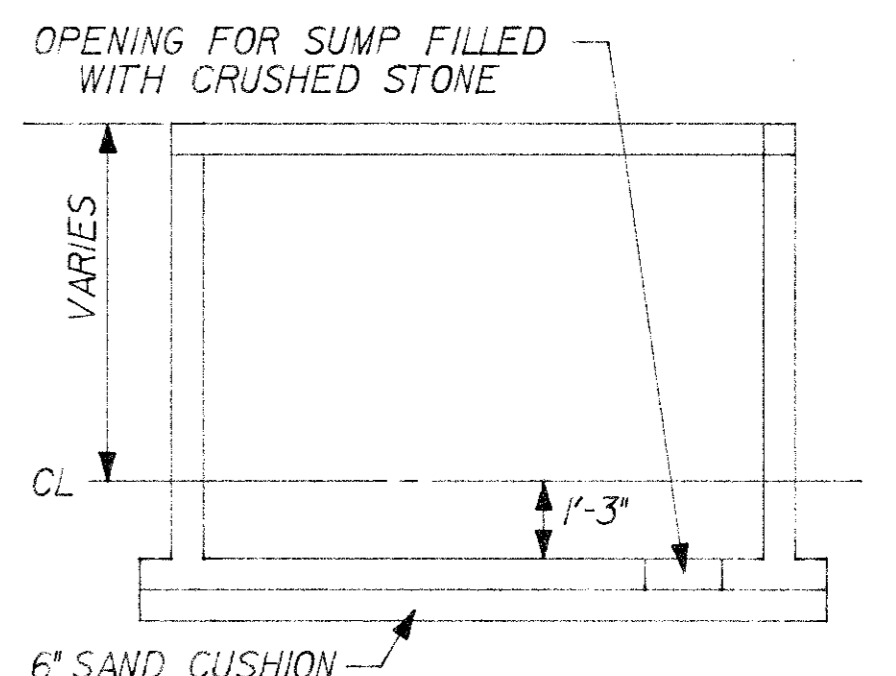
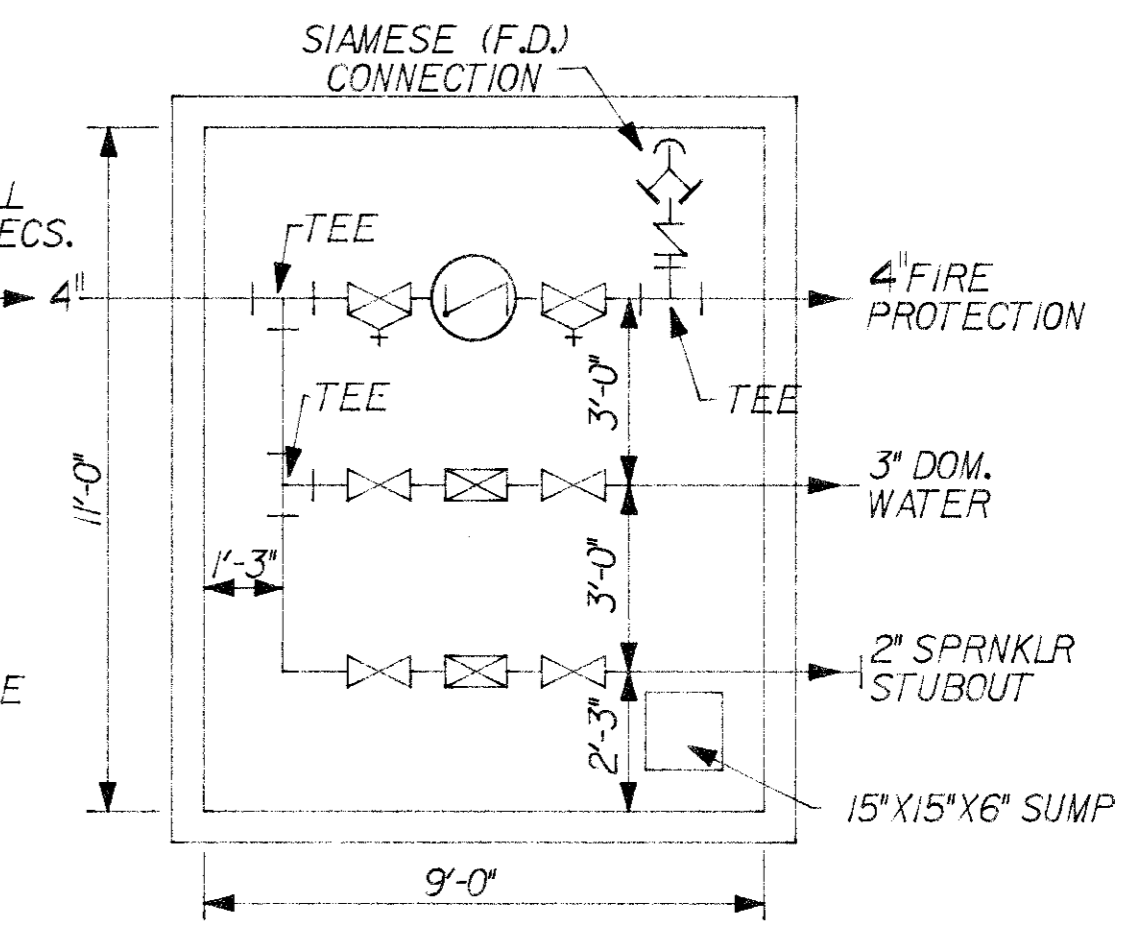
NOTES:  
ALL REBAR IS #4 @ 12" C-C.  
FRAMES, GRATES, AND CURB HOODS WILL BE MEDIUM DUTY NEMA# CASTINGS WITH THE FOLLOWING PART NUMBERS:  
FRAMES- R-3077-LR-3078, R-3077-R  
GRATES- R-3076  
CURB HOODS- R-3076-6B  
CONCRETE WILL BE 3000PSI  
REBAR WILL BE GR 40  
MINIMUM OF 1/2" COVER OVER REBAR



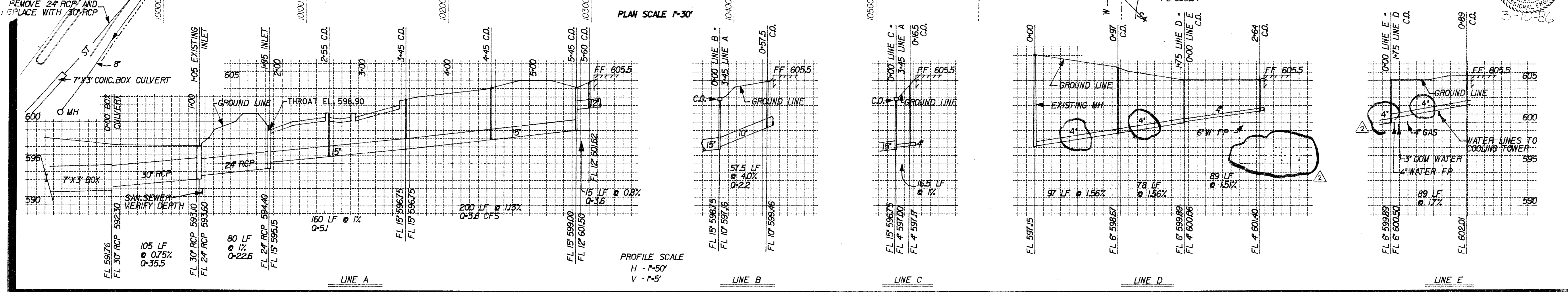
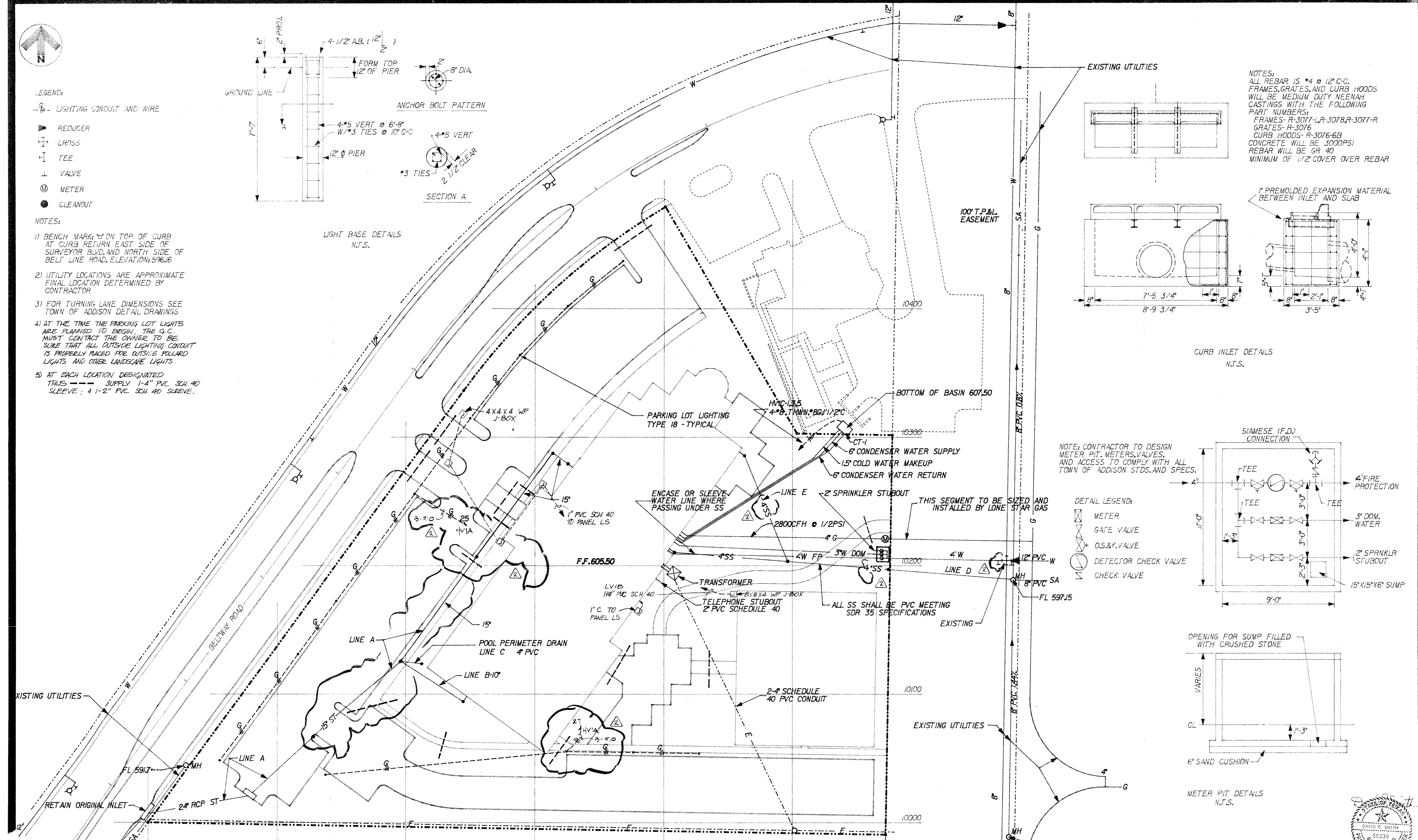
CURB INLET DETAILS N.T.S.

NOTE: CONTRACTOR TO DESIGN METER PIT, METERS, VALVES, AND ACCESS TO COMPLY WITH ALL TOWN OF ADDISON STDS. AND SPECS.

- DETAIL LEGEND:
- METER
  - GATE VALVE
  - O.S.&F. VALVE
  - DETECTOR CHECK VALVE
  - CHECK VALVE

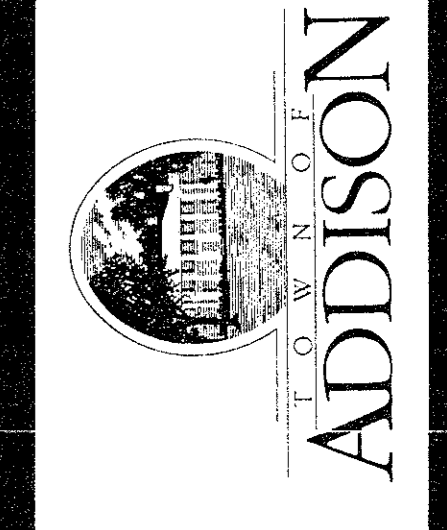


METER PIT DETAILS N.T.S.



|           |  |
|-----------|--|
| SHEET NO. |  |
| BASE      |  |
| COMPOSITE |  |
| SCALE     |  |
| DATE      |  |

**ADDISON RECREATION CENTER**  
3900 BELTWAY DRIVE  
ADDISON, TEXAS



**The Benham Group**  
Dallas

architects  
engineers  
planners  
1341 w. mockingbird ln.  
suite 517 e  
dallas, texas



sheet title

SITE UTILITIES PLAN

drawn J. MORROW  
chk'd J. MORROW  
date 4-3-86  
revisions

no. date  
1 4-3-86  
2 4-21-86

sheet of 1-3