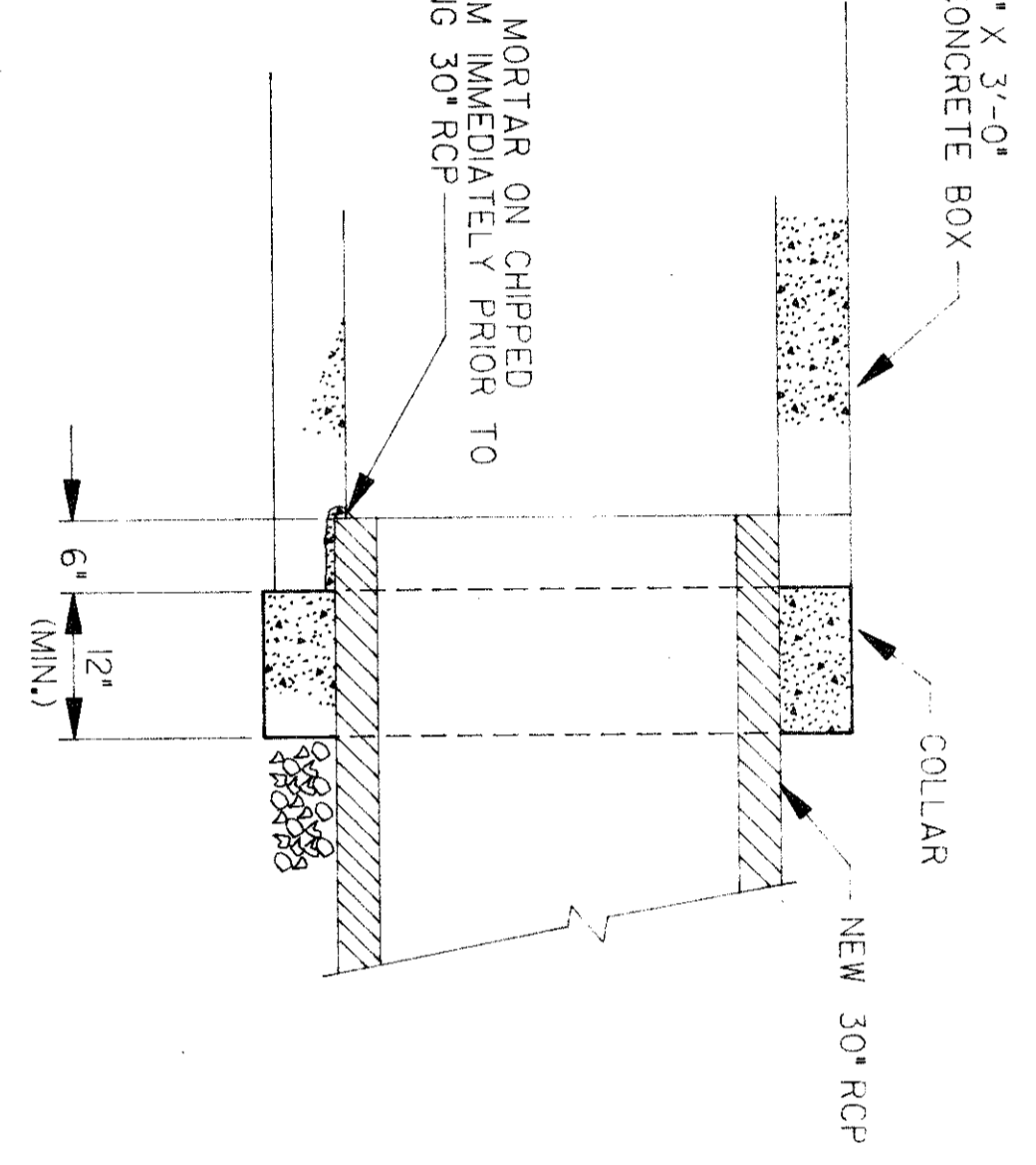
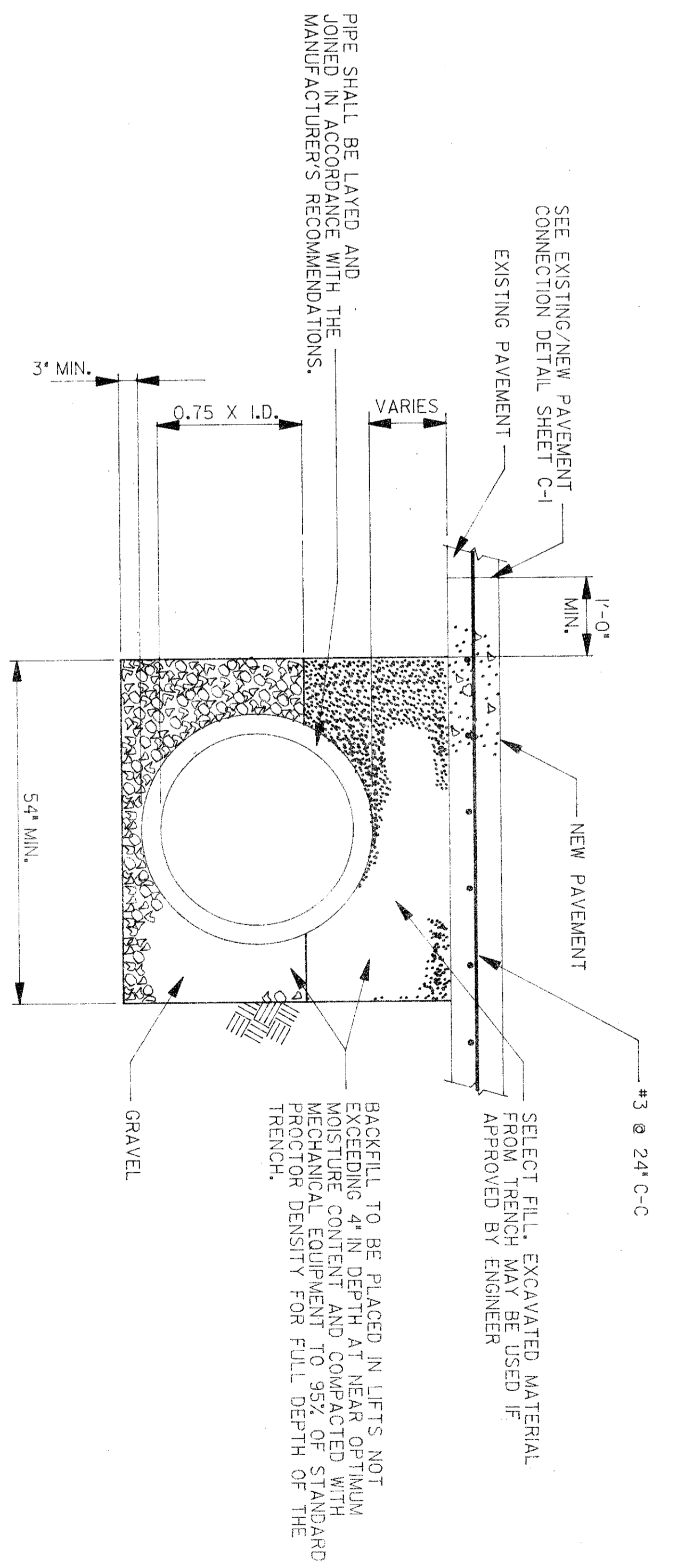


**PLAN**  
SCALE 1/4" = 1'-0"

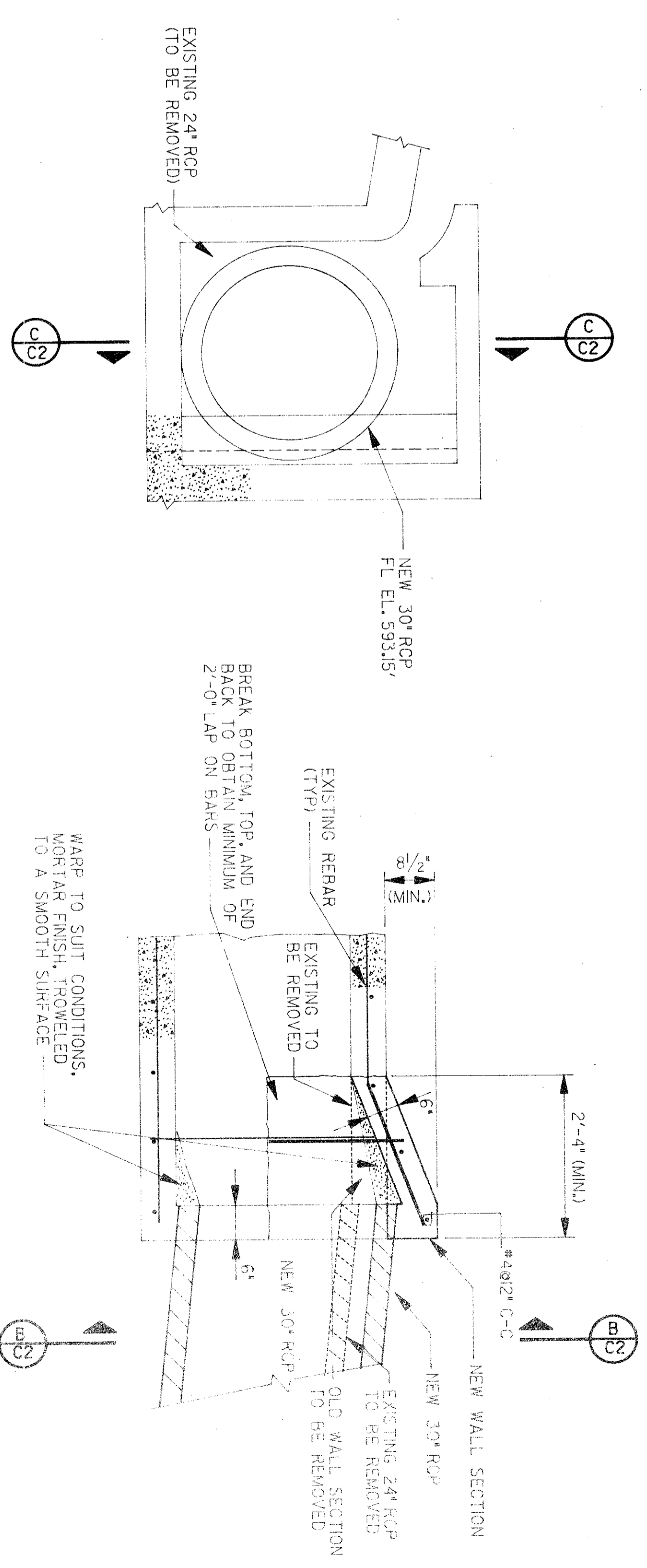


**SECTION E-C2**  
SCALE 3/4" = 1'-0"

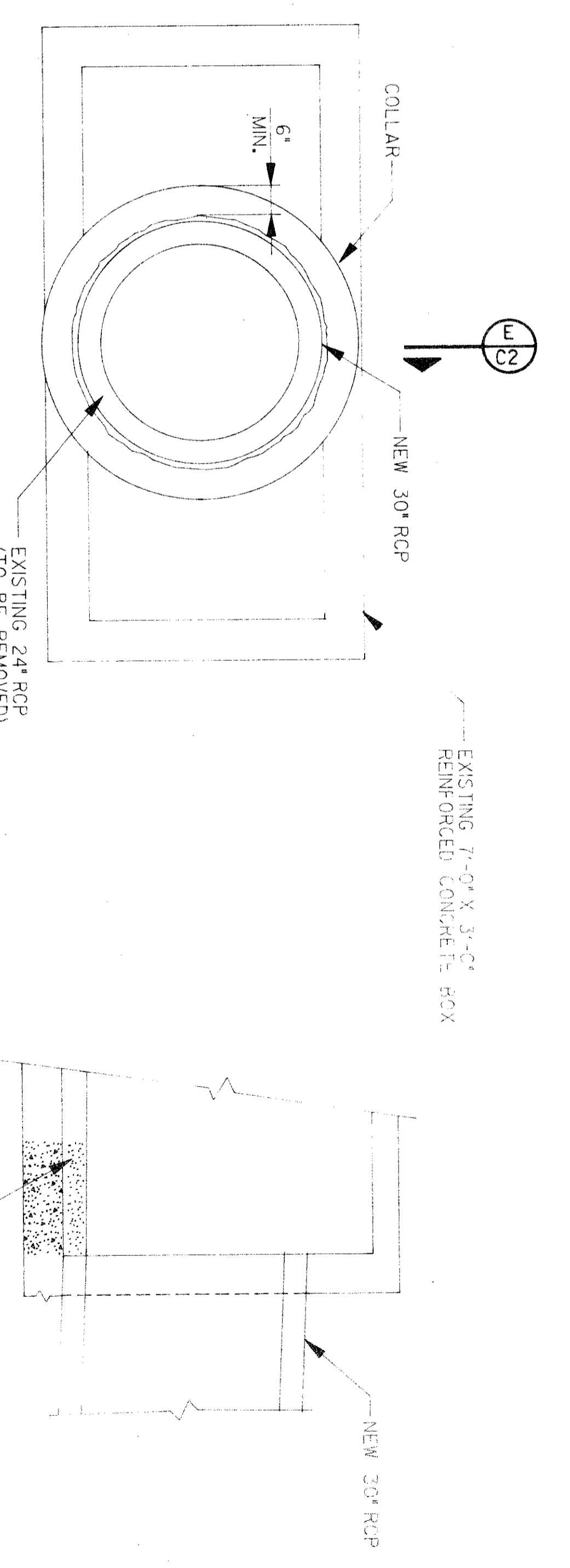
**NOTES:**  
IF DURING MODIFICATION OF INLET AND PIPE INSTALLATION INTERFERENCE IS ENCOUNTERED WITH EXISTING 8" PVC SANITARY SEWER, CUT OUT SECTION OF THE CITY INSPECTOR.  
JOINT LOCATIONS APPROXIMATE. NEW JOINTS TO MATCH EXISTING JOINTS.  
ELEVATIONS SHOWN FOR REFERENCE ONLY. NEW PAVEMENT TO MATCH EXISTING GRADES.  
FOR ADDITIONAL DETAIL OR INFORMATION NOT COVERED SEE TOWN OF ADDISON DETAIL DRAWINGS.



**TRENCH DETAIL**  
SCALE 3/4" = 1'-0"

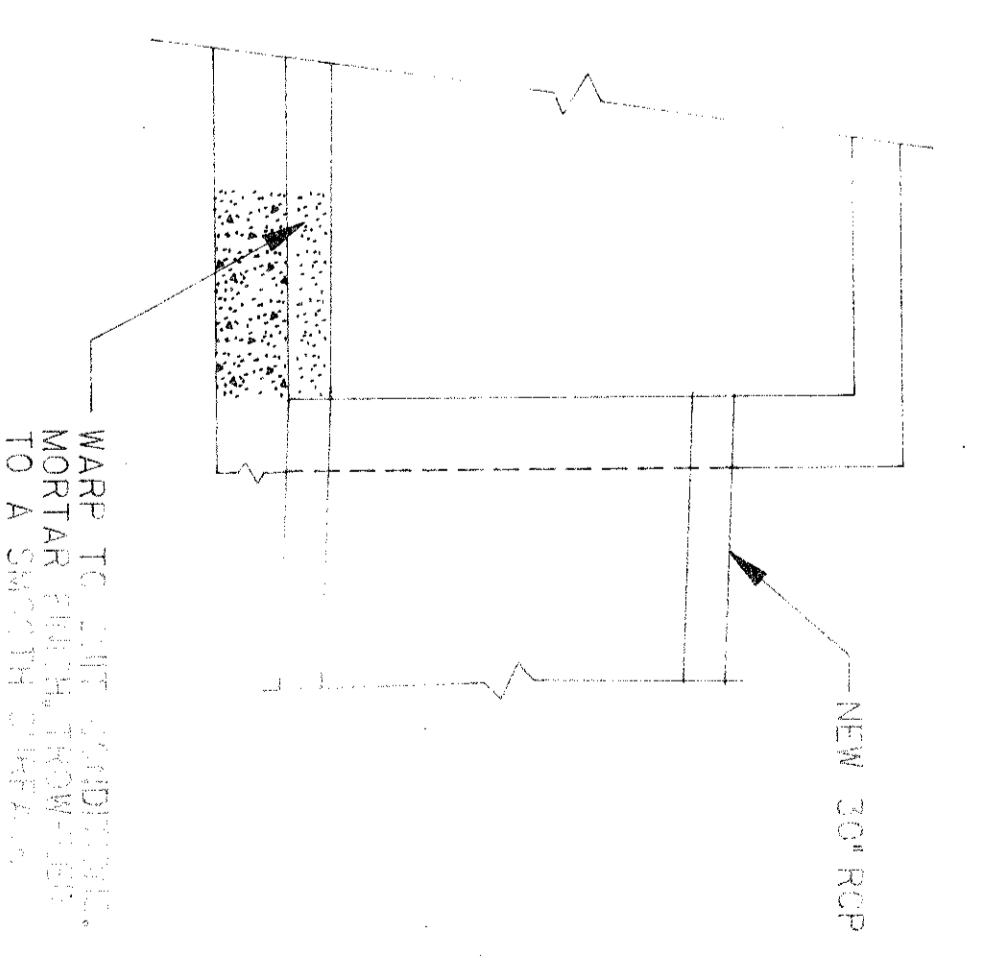


**SECTION B-C2**  
SCALE 3/4" = 1'-0"



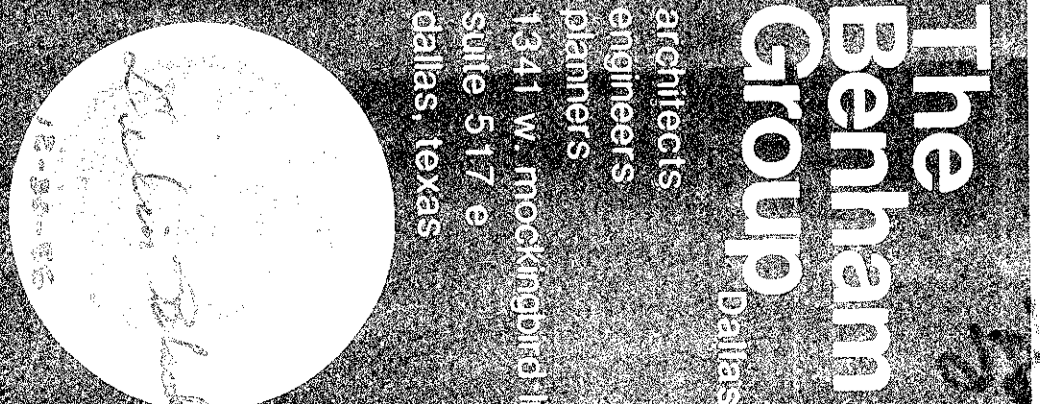
**SECTION A-C2**  
SCALE 3/4" = 1'-0"

**NOTE:**  
REMOVE 24" RCP, CHIP OUT SUFFICIENT CONCRETE TO ACCEPT 30" RCP (CHIP OUT FROM BOTTOM RATHER THAN TOP). PIPE REMOVED SHOULD EXTEND 6" MINIMUM PAST EDGE OF CHIPPED CONCRETE. VIBRATE SUFFICIENTLY TO FILL ALL VOIDS.



**DETAIL A-C2**  
SCALE 3/4" = 1'-0"

SHEET NO.		COMPOSITE	
BASE	C	1	2



no. \_\_\_\_\_ date \_\_\_\_\_