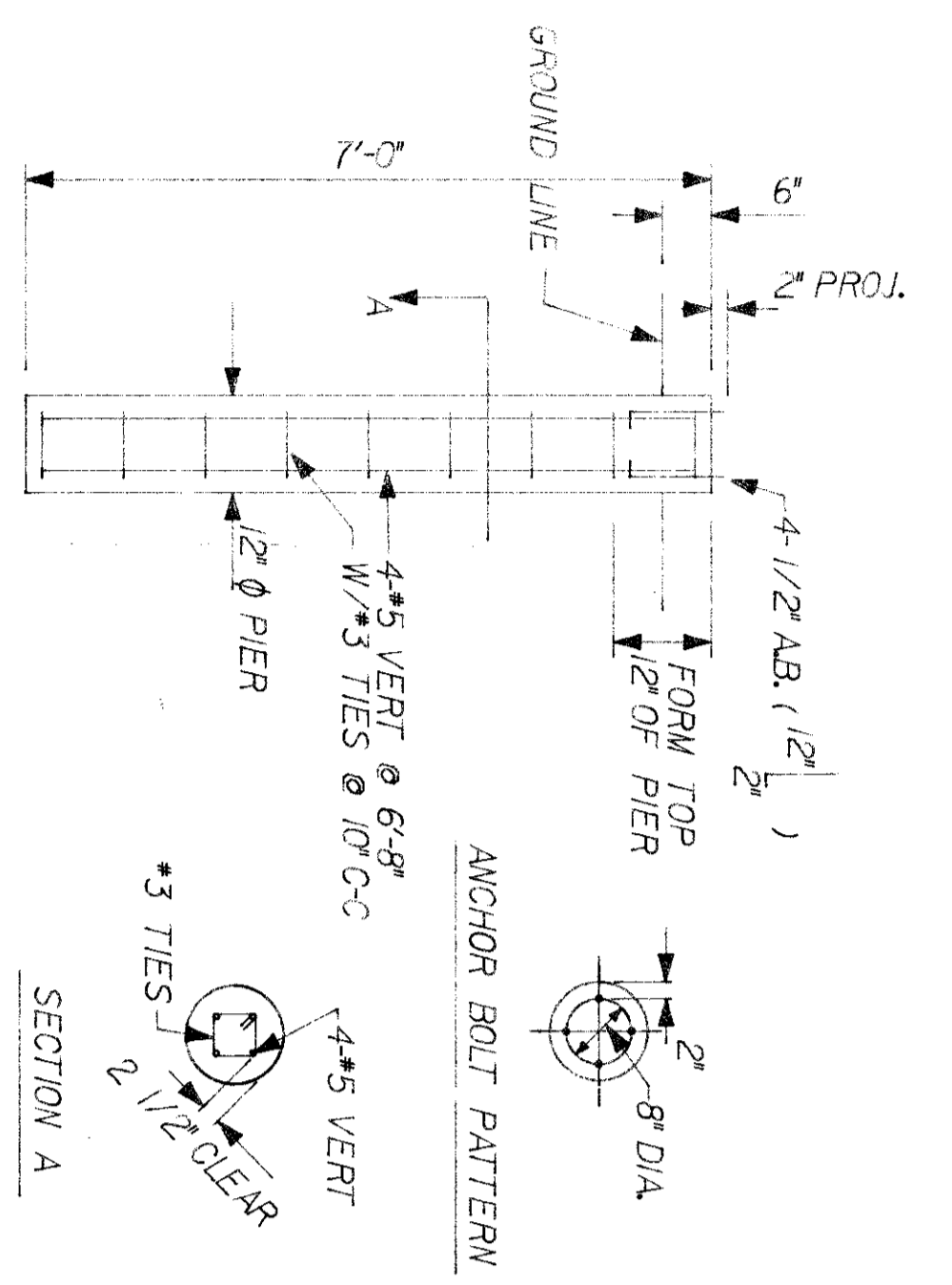
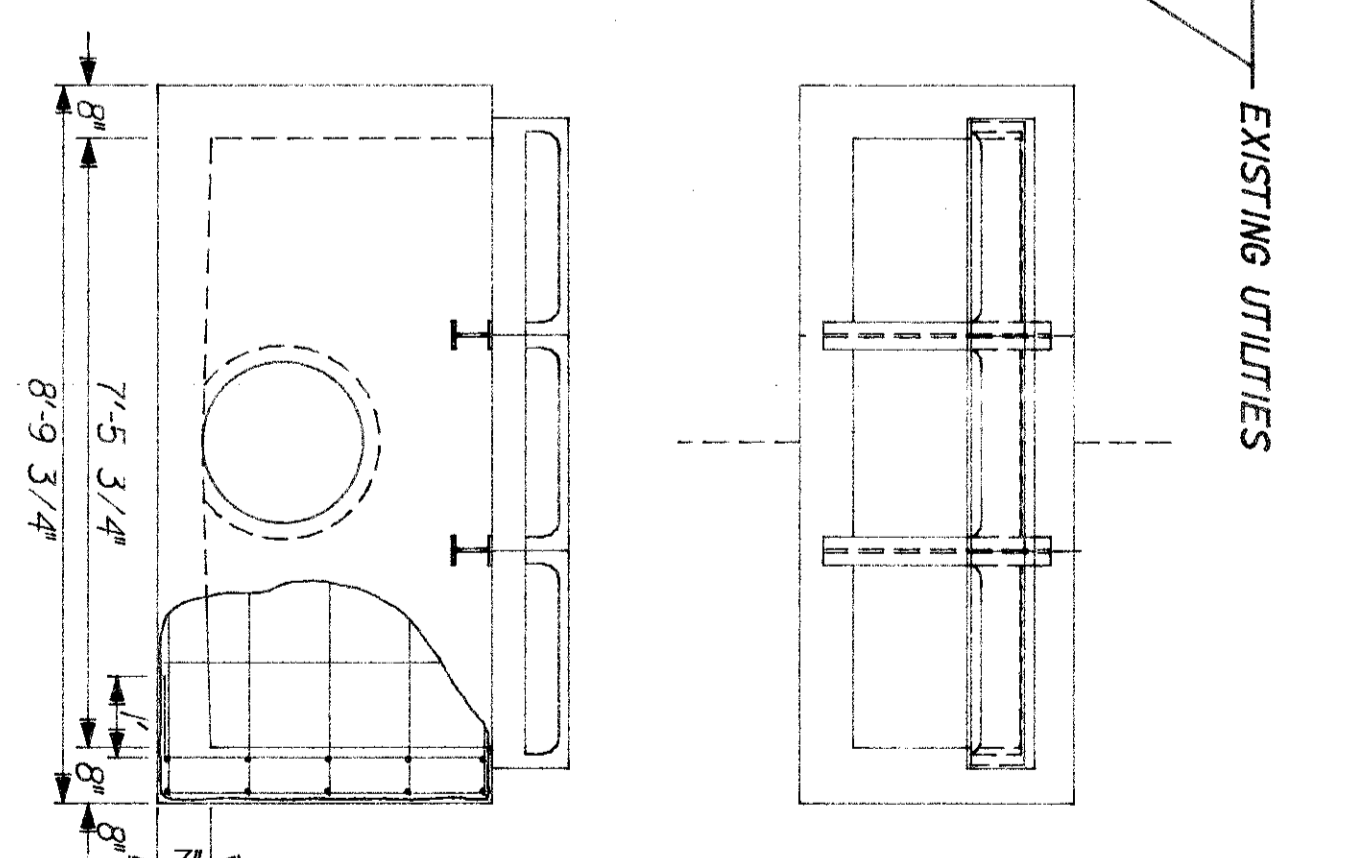
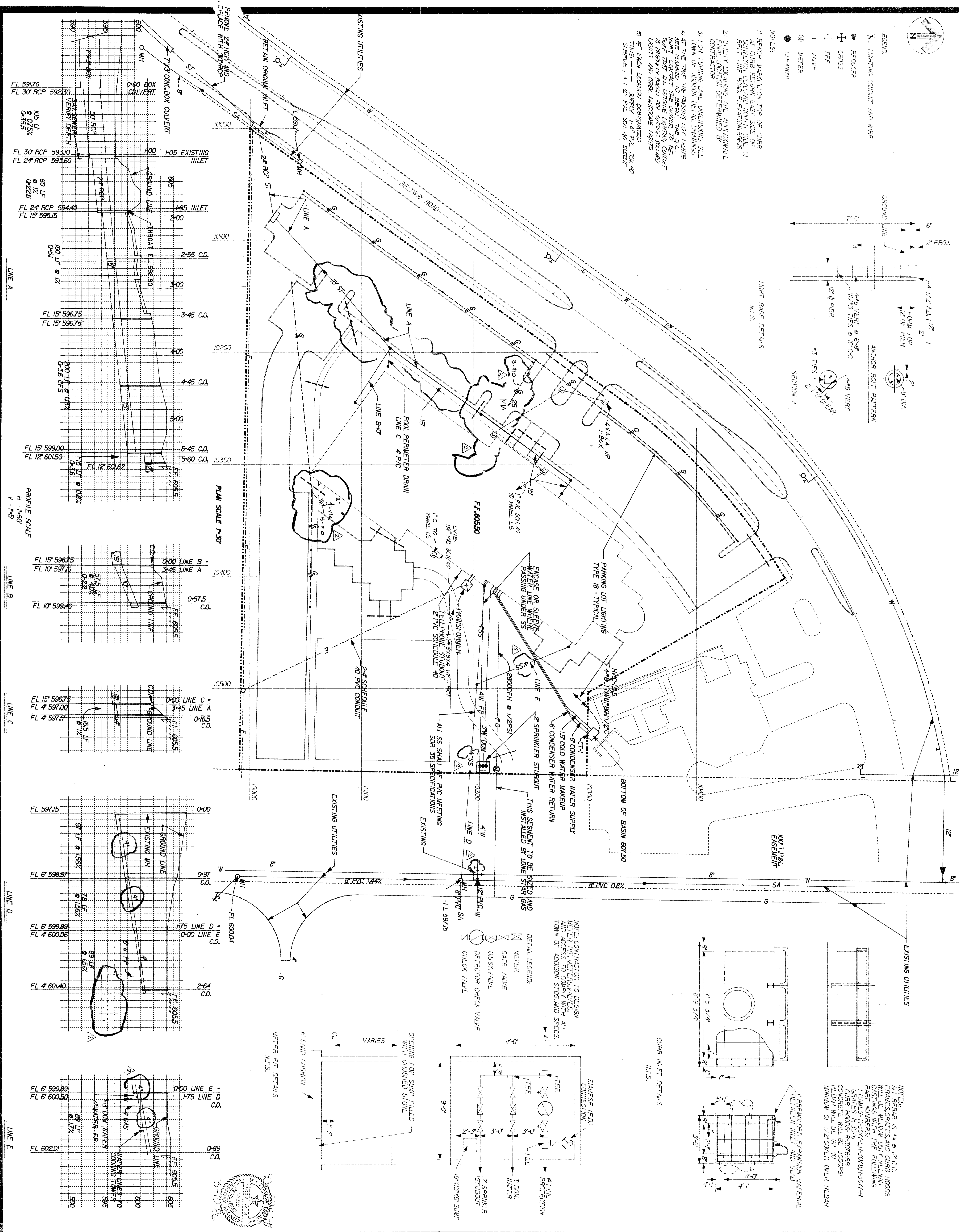


- LEGENDA:
- ① LIGHTING CONDUIT AND WIRE
 - ② REDUCER
 - ③ CROSS
 - ④ TEE
 - ⑤ VALVE
 - ⑥ METER
 - ⑦ CLEANOUT

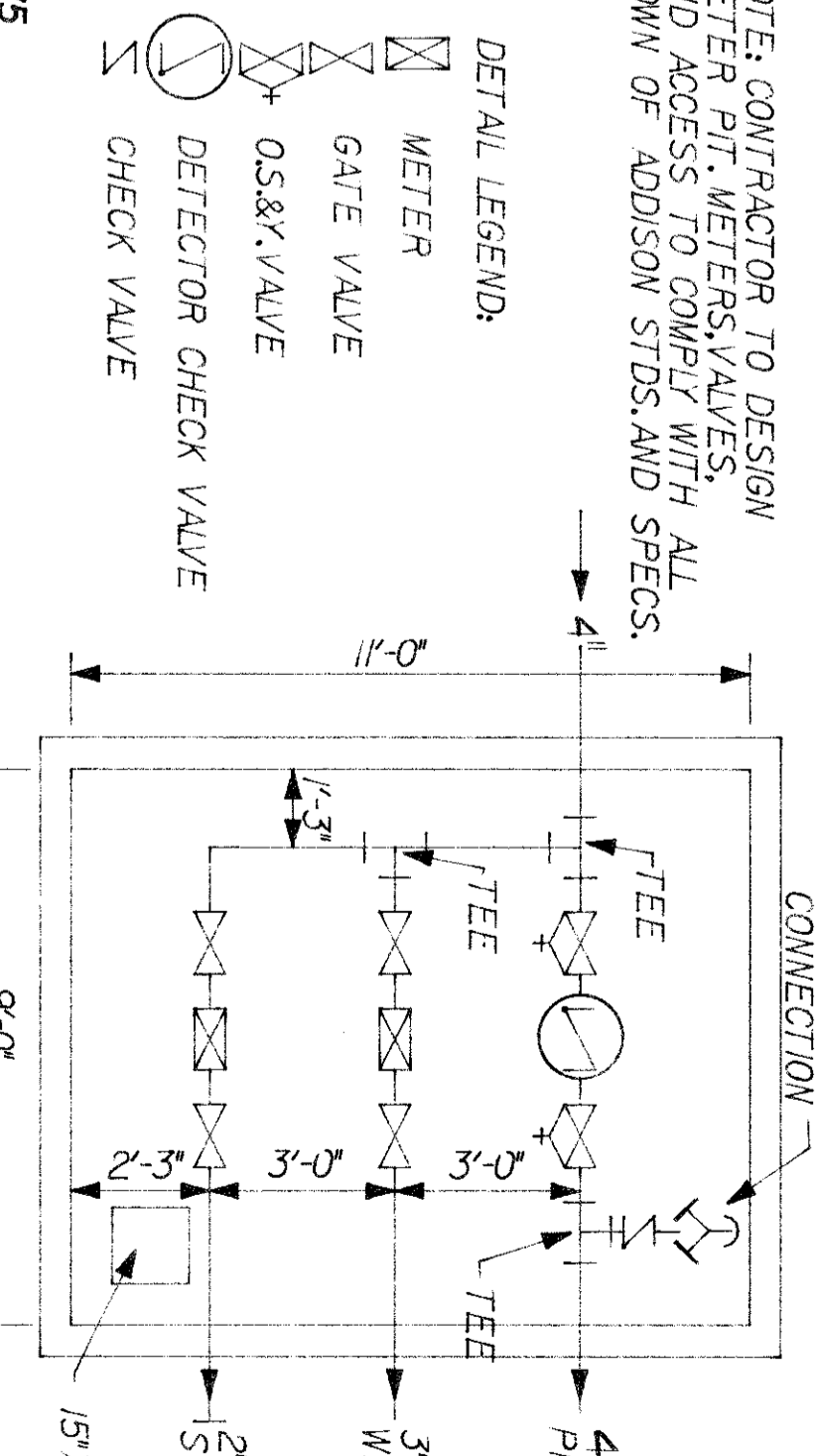
- NOTES:
- 1) BENCH MARK "ON TOP OF CURB AT CURB RETURN EAST SIDE OF SURVEYOR BLVD AND NORTH SIDE OF BELTWAY ROAD, ELEVATION 596.6
 - 2) UTILITY LOCATIONS ARE APPROXIMATE CONTRACTOR
 - 3) FOR TURNING LANE DIMENSIONS SEE TOWN OF ADDISON DETAIL DRAININGS
 - 4) AT THE TIME THE PARKING LOT LIGHTS WERE PLANNED TO BE INSTALLED THE SIZE THAT ALL OUTSIDE LIGHTING CONDUIT IS REVERSE RATED FOR OUTSIDE RATED LIGHTS AND OVER UNDERGROUND LIGHTS.
 - 5) AT EACH LOCATION DESIGNATED THIS SHALL BE 4" PVC SCH 40 SLEEVE 1'-2" PVC SCH 40 SLEEVE 1'-2" PVC SCH 40 SLEEVE.



LIGHT BASE DETAILS
N.T.S.



- NOTES:
- 1) PRECAST EXPANSION MATERIAL BETWEEN INLET AND SLAB
 - 2) REBAR SHALL BE 4" @ 12" O.C. FRAMES AND DUTY REBAR WILL BE MEDIUM DUTY REBAR CASTINGS WITH THE FOLLOWING PART NUMBERS: FRAMES R-3077-LR-3078-R-3077-R FRAMES R-3076 FRAMES R-3076-B3 CONCRETE HOODS R-3076-B3 REBAR WILL BE 5/8" @ 40" MINIMUM OF 1/2" COVER OVER REBAR



- NOTE: CONTRACTOR TO DESIGN AND INSTALL DETAIL WITH ALL TOWN OF ADDISON SIZES AND SPECS.
- DETAIL LEGEND:
- ① METER
 - ② GATE VALVE
 - ③ O.S.&V. VALVE
 - ④ DETECTOR CHECK VALVE
 - ⑤ CHECK VALVE

The Benham Group Dallas

architects
engineers
planners
1341 W. Mockingbird Ln.
Suite 517 E
Dallas, Texas

Drawn: J. MORROW
Checked: J. MORROW
Date: 4-3-88
Revisions:

NO. date
1 4-3-88
2 4-21-88

SHEET TITLE: SITE UTILITIES PLAN

SHEET NO. L-3

TOWN OF ADDISON

ADDISON RECREATION CENTER
3900 BELTWAY DRIVE
ADDISON, TEXAS

COMPOSITE

BASE	C
REV	L
DATE	4-3-88
BY	J.M.
CHECKED	J.M.
DATE	4-3-88