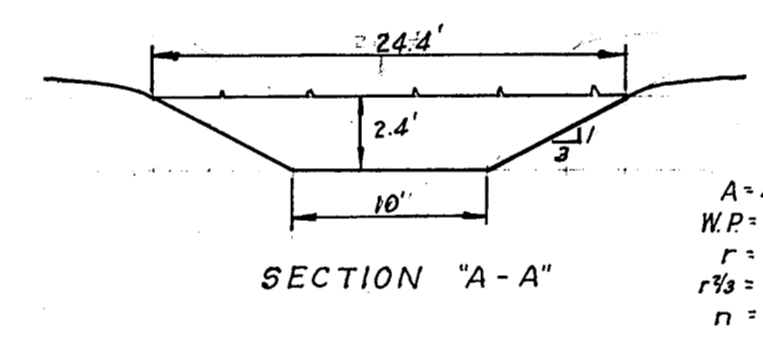


CAUTION!!! 6" gas main in Belt Line Road R.O.W. Prior to beginning construction, contact Mr. Harris of Lone Star Gas Co. Phone: 242-4231.

CAUTION!!! Underground telephone cable in Belt Line Road R.O.W. Exact location unknown. Prior to beginning construction, contact Mr. Roy Derr of Southwestern Bell Telephone Co. Phone: 464-7766.

PROPOSED MIDWAY MEADOWS



$\phi = 27"$ $Q = 25.9 \text{ c.f.s.}$ $S = 0.0070$ $V = 6.51 \text{ f.p.s.}$ $H_v = 0.66$ $C = 37.9 \text{ c.f.s.}$	$\phi = 24"$ $Q = 24.9 \text{ c.f.s.}$ $S = 0.01311$ $V = 8.24 \text{ f.p.s.}$ $H_v = 1.06$ $C = 26.8 \text{ c.f.s.}$	$\phi = 24"$ $Q = 18.9 \text{ c.f.s.}$ $S = 0.00494$ $V = 3.06 \text{ f.p.s.}$ $H_v = 0.40$ $C = 26.8 \text{ c.f.s.}$	$\phi = 24"$ $Q = 4.35 \text{ f.p.s.}$ $S = 0.40\%$ $r = 1.64$ $r/s = 1.39$ $n = 0.03$	$V = 4.35 \text{ f.p.s.}$ $S = 0.40\%$ $r = 1.64$ $C = 180 \text{ c.f.s.}$ $Q = 178 \text{ c.f.s.}$
---	--	--	---	---

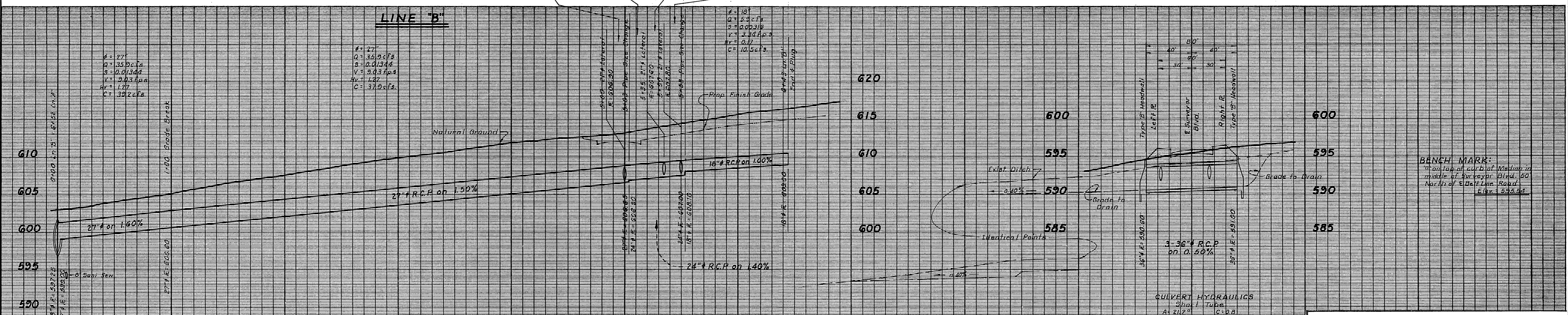
NOTES:

It is the responsibility of the Contractor to notify all utility companies and verify all existing utilities prior to the start of construction.

It will be the responsibility of the Contractor to avoid any conflicts between the water and sewer and the storm sewer inlets.

All storm sewer pipe shall be R.C.P. Class III and shall have a minimum of 6" sand bedding, or equivalent bedding material.

Utility Contractor shall be responsible for paving of variable height curb, inlet throat and paving layout.



STORM SEWER							
MIDWAY MEADOWS							
DALLAS, TEXAS							
Don A. Tipton, Inc. ~ Consulting Engineers							
13600 L.B.J. Freeway ~ Garland, Texas 75041							
DESIGN	DRAWN	DATE	SCALE	NOTES	FILE	NO.	
D.A.T.	r.d.o.	April 30 1979	H: 1" = 40'	d.b.	Midway Meadows	7	8