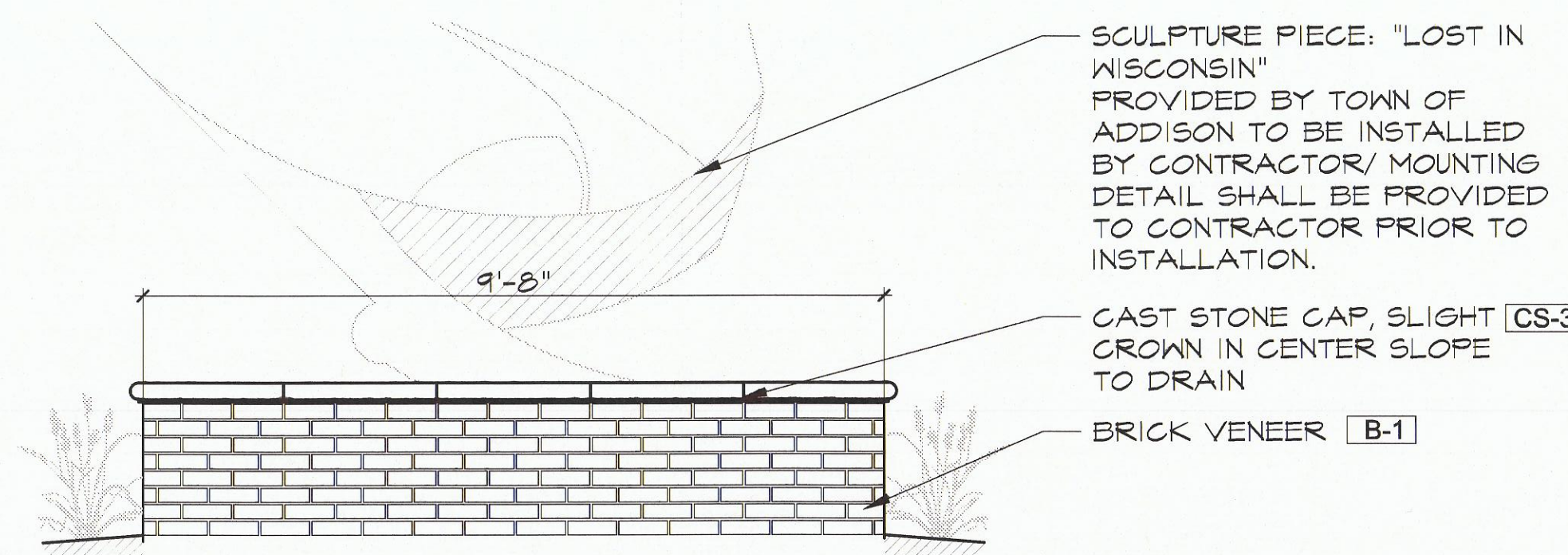


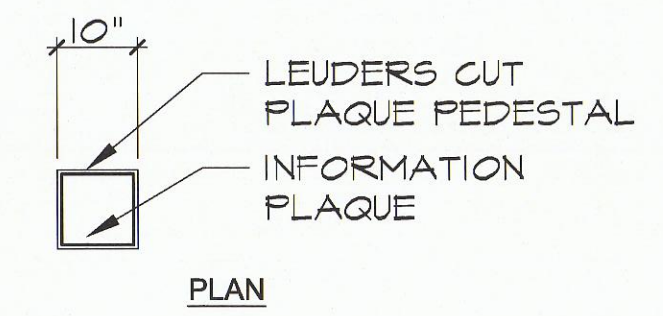
Plan - Sculpture Base Wedge **G**

Scale: 1 1/2" = 1'-0"

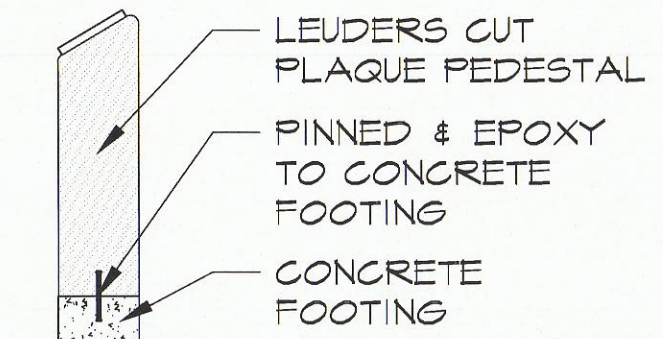


Elevation - Sculpture Base **E**

Scale: 1/2" = 1'-0"



PLAN

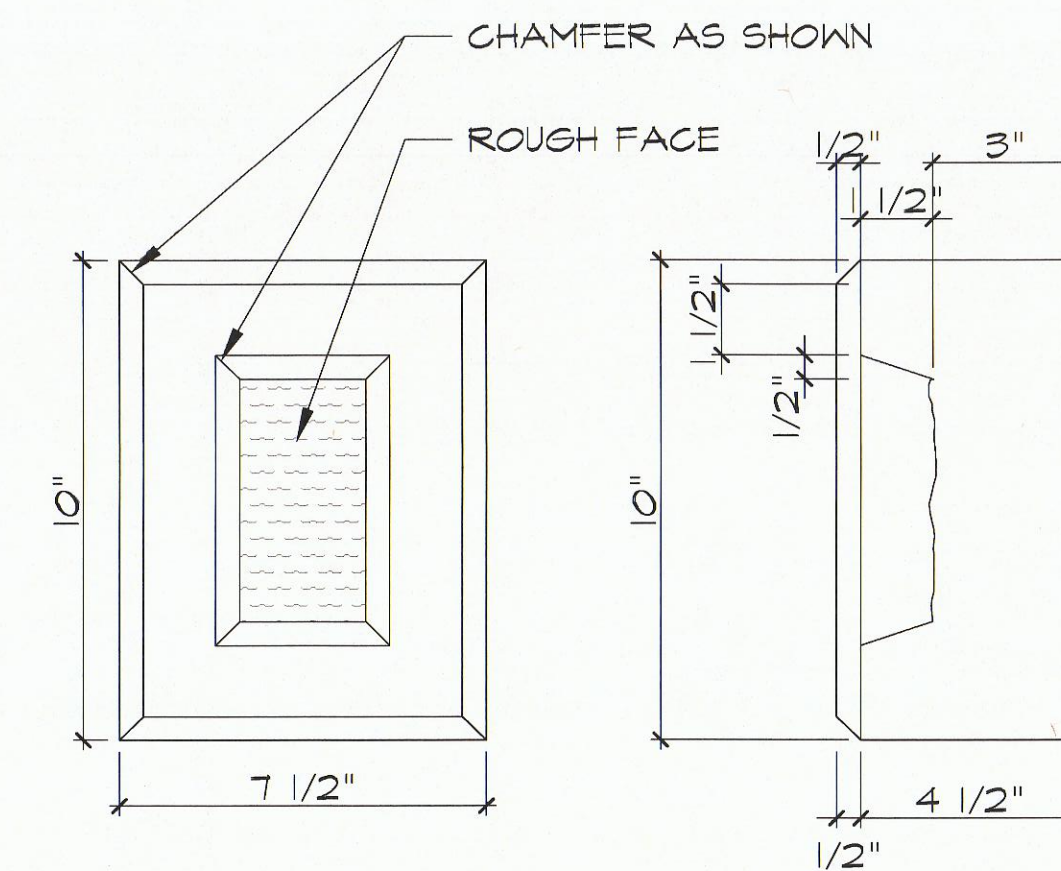


SECTION

NOTE:  
TOWN TO PROVIDE  
PEDESTAL + PLAQUE  
FOR INSTALLATION  
BY CONTRACTOR

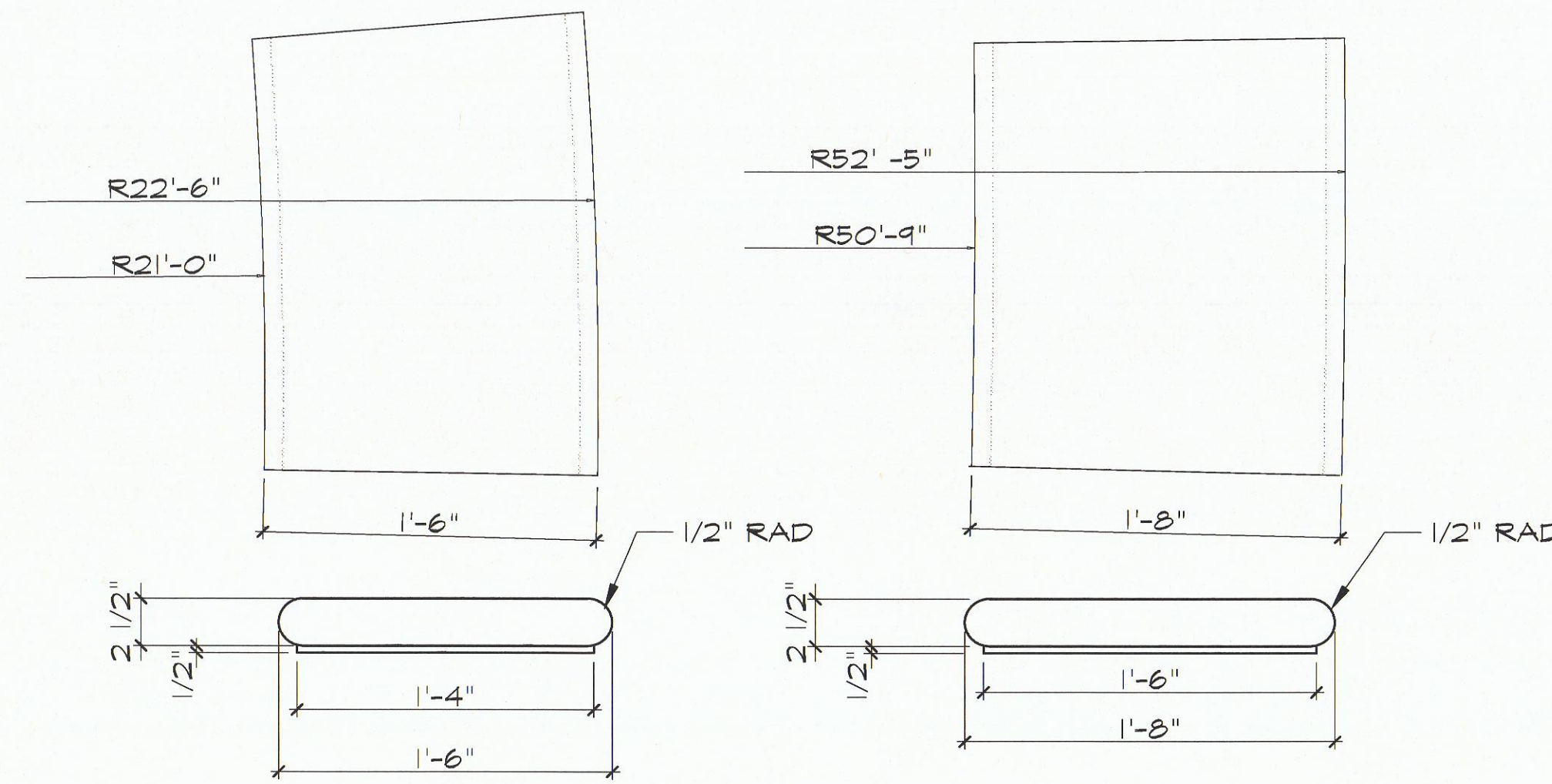
Sculpture Recognition Monument **C**

Scale: 1/2" = 1'-0"



Cast Stone Insert For Screen Wall **B**

Scale: 3/4" = 1'-0"

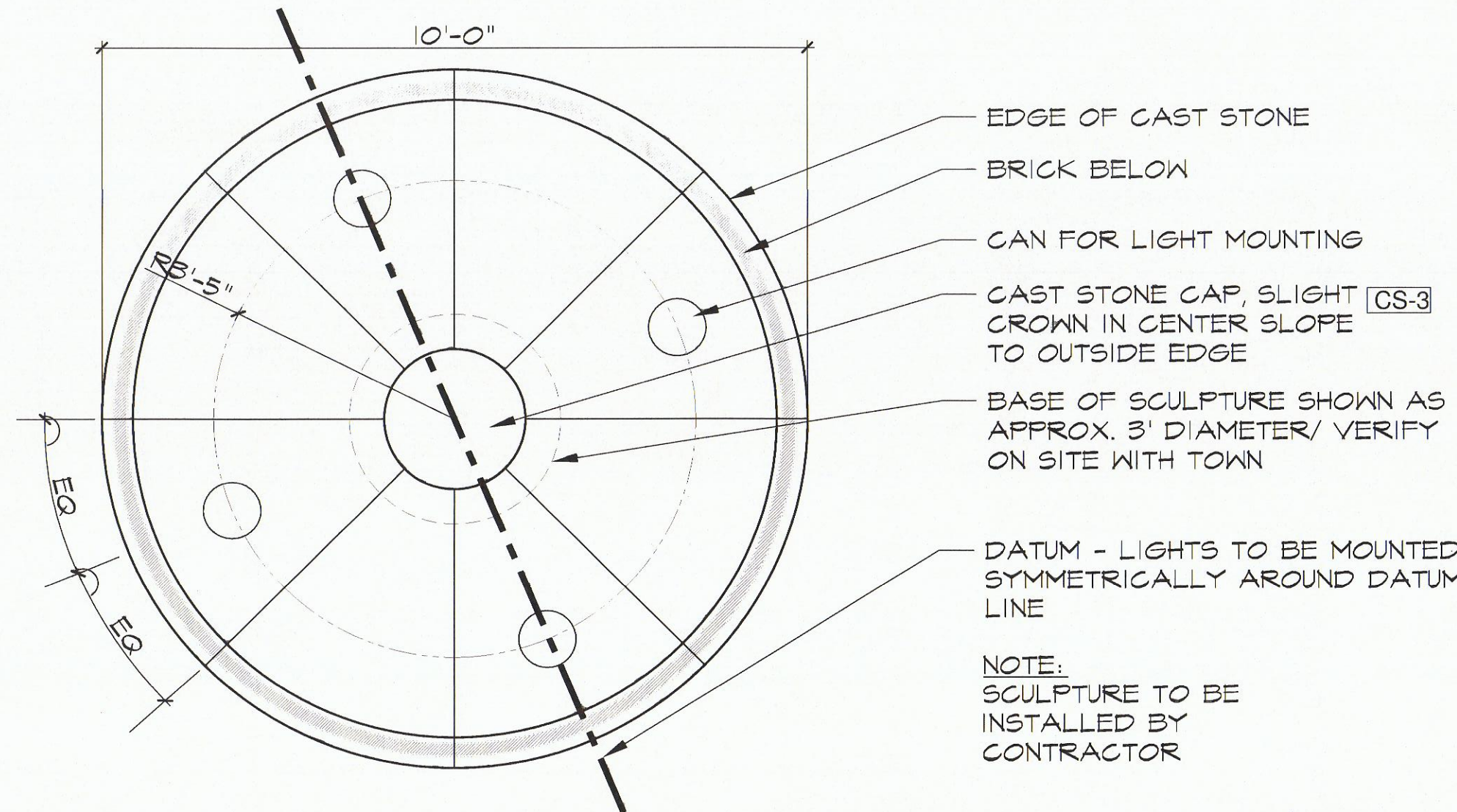


SEATWALL CAP

GARDEN WALL CAP

Cast Stone Cap **F**

Scale: 1 1/2" = 1'-0"



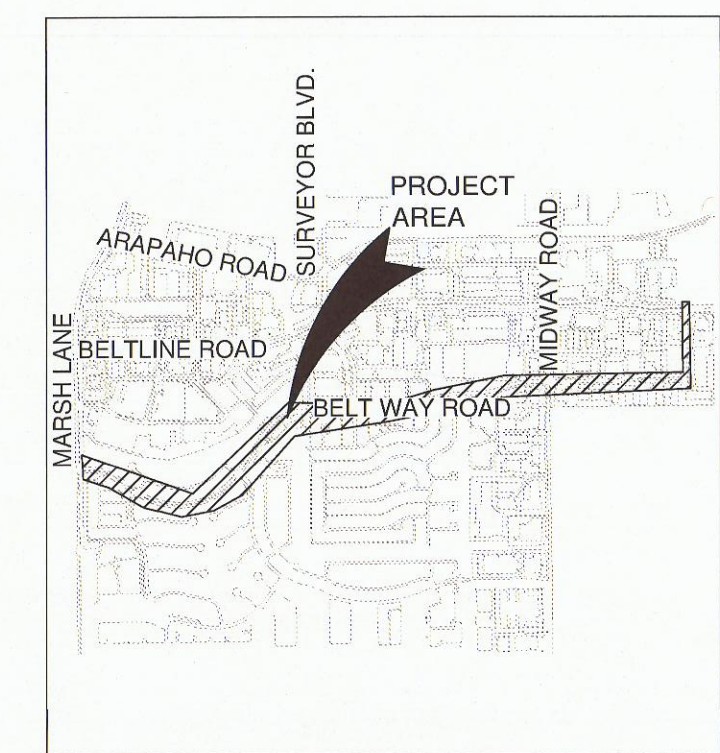
Plan - Sculpture Base **D**

Scale: 1/2" = 1'-0"

1807 Ross Ave,  
Suite 333  
Dallas, Texas 75201  
214.871.0568 tel  
214.871.1507 fax  
mesadesigngroup.com

MESA

VICINITY MAP



Project Name

Beltway Drive  
Parkway Improvements  
Addison, Texas  
Project No: 14002

Issue Title

Construction Documents

Issue Date: 09.29.2014

Seal



This drawing and the design shown is the property of MESA Design Associates, known also as MESA. The reproduction, copying, or use of this drawing without the written consent of MESA is prohibited and any infringement will be subject to legal action. © Copyright 2012 MESA

Issue / Addenda / Revisions

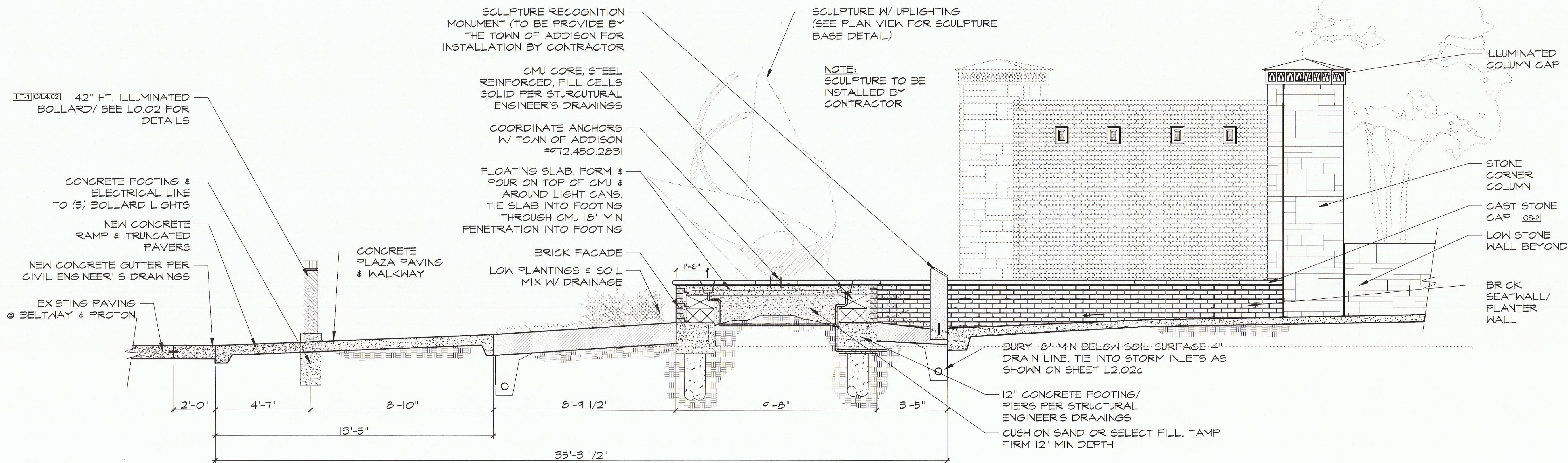
Date	Description
06.25.2014	50% Review
07.31.2014	90% Review
09.29.2014	100% Bid Documents

Drawing Title

Corner Enhancement  
Details

Sheet No.

L4.03



Section - Sculpture Garden & Plaza **A**

Scale: 3/8" = 1'-0"