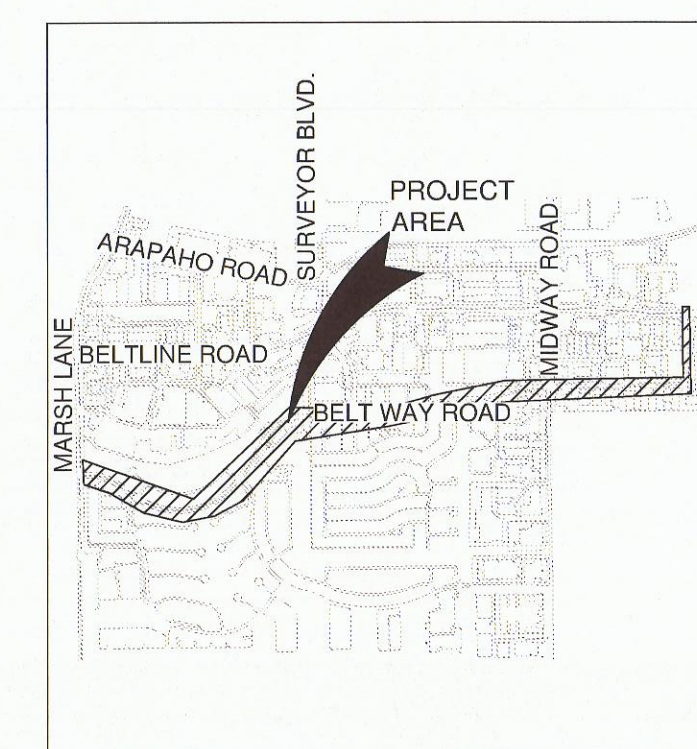


VICINITY MAP



Project Name

Beltway Drive  
Parkway Improvements  
Addison, Texas

Project No: 14002

Issue Title

Construction Documents

Issue Date: 09.29.2014

Seal



This drawing and the design shown is the property of MESA Design Associates, known also as MESA. The reproduction, copying, rights for any drawing without the written consent of MESA is prohibited and any infringement will be subject to legal action. © Copyright 2012 MESA.

Issue / Addenda / Revisions

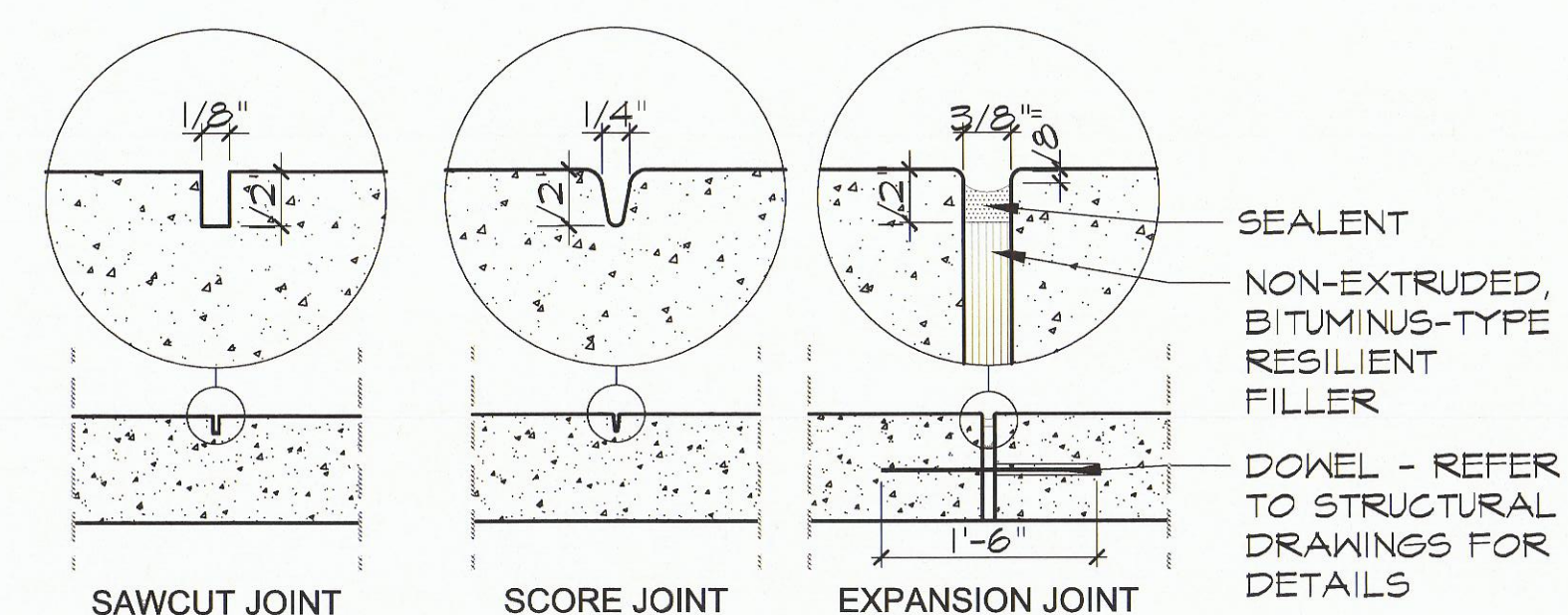
| Date       | Description        |
|------------|--------------------|
| 06.25.2014 | 50% Review         |
| 07.31.2014 | 90% Review         |
| 09.29.2014 | 100% Bid Documents |

Drawing Title

Pavement  
Details

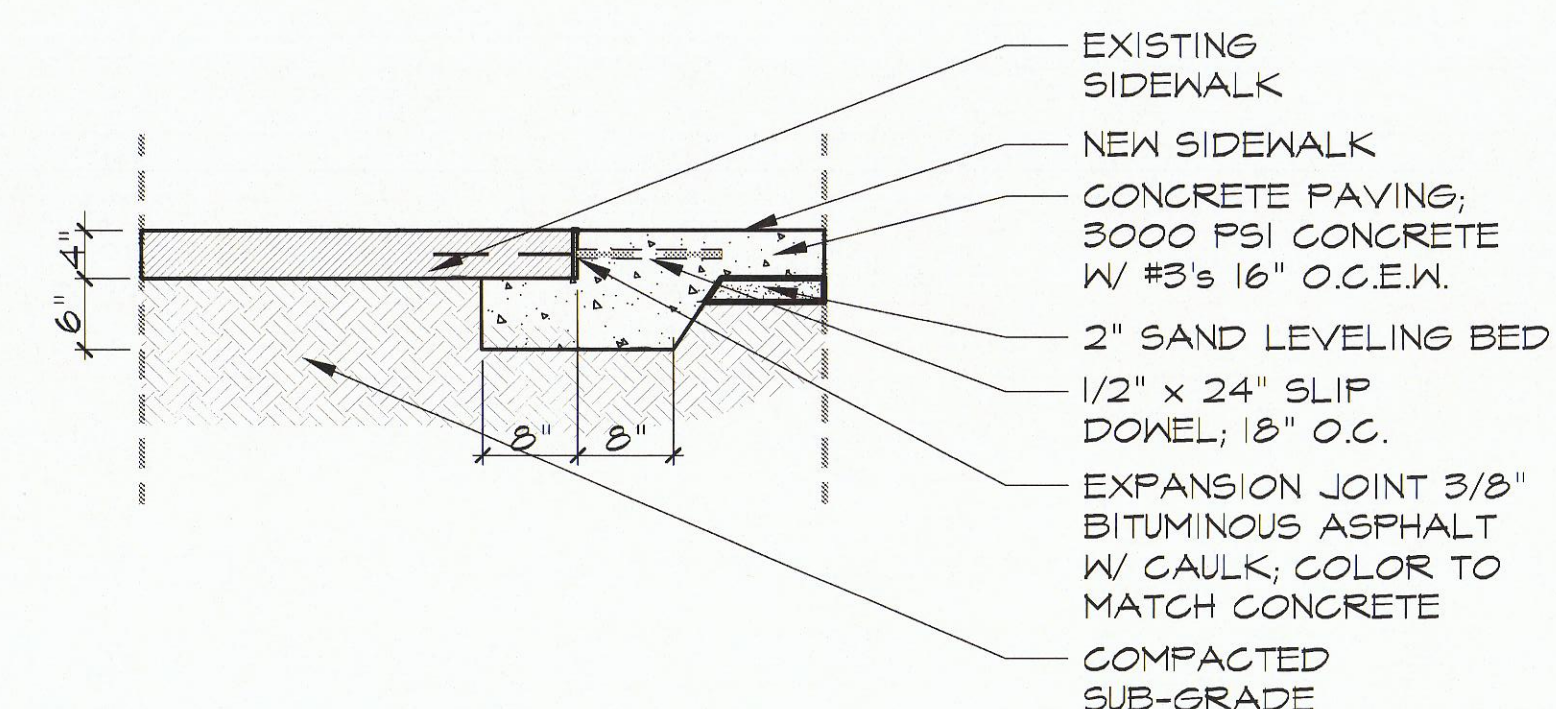
Sheet No.

L4.06



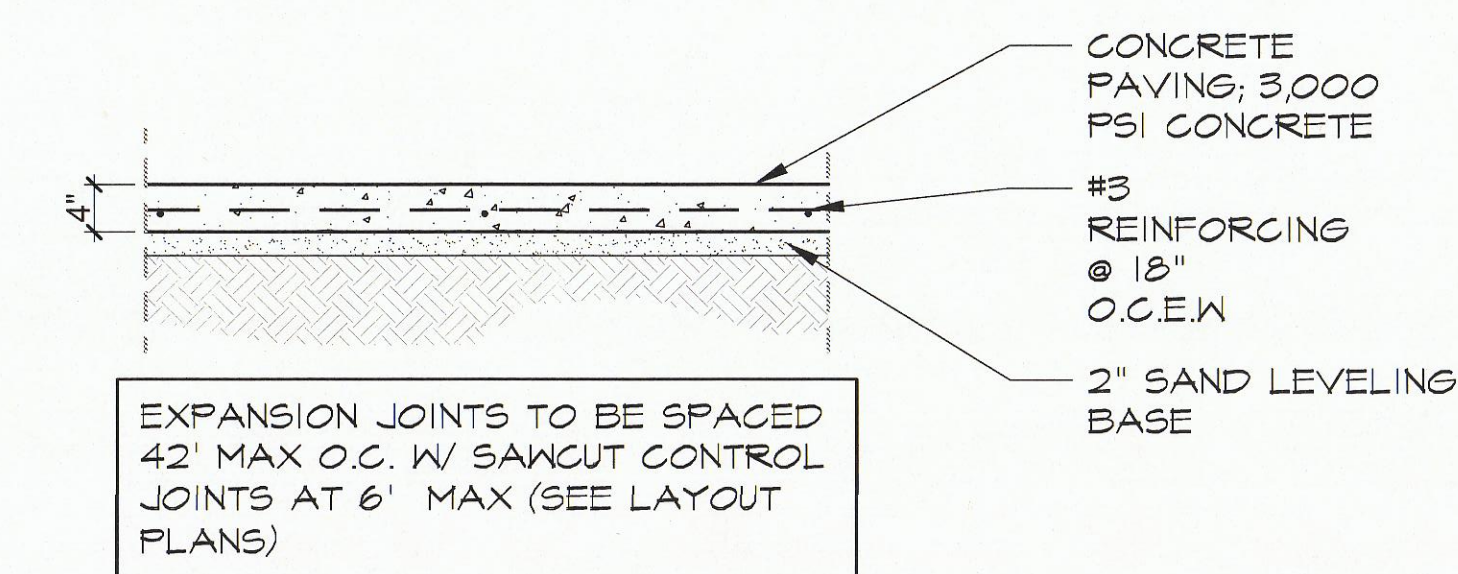
Sidewalk Score Options | **D**

Scale: 1" = 1'-0" | L4.06



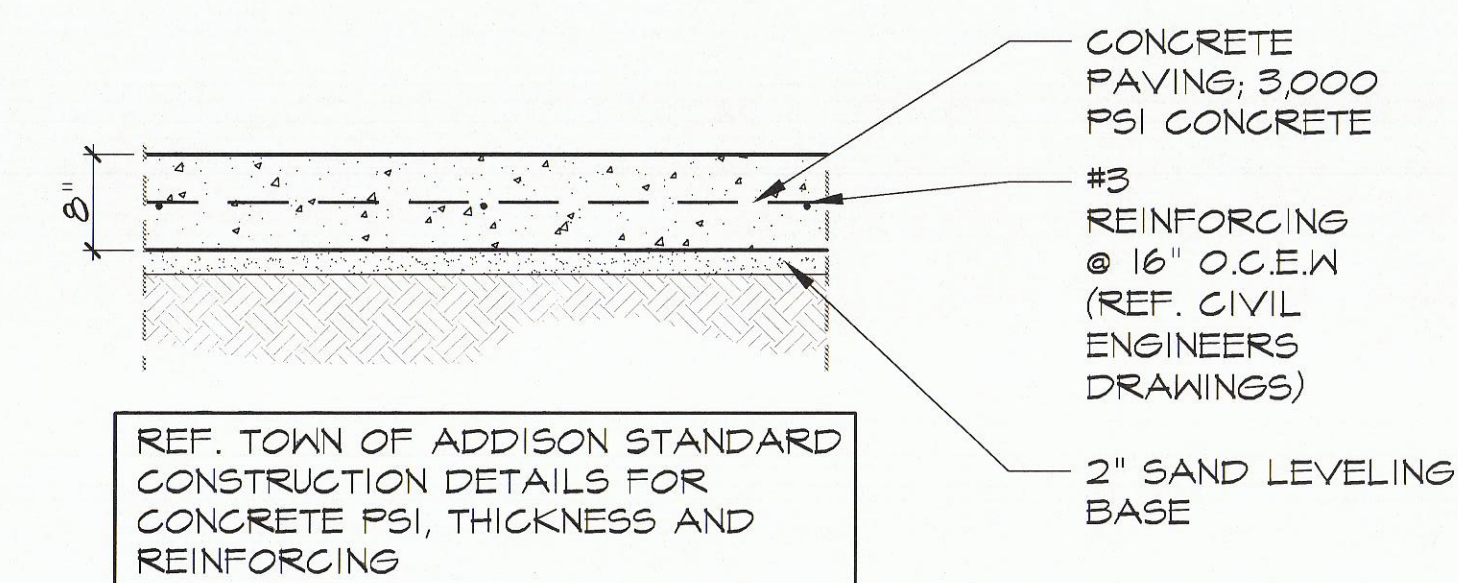
Existing Trail Tie Into Proposed Trail | **C**

Scale: 3/4" = 1'-0" | L4.06



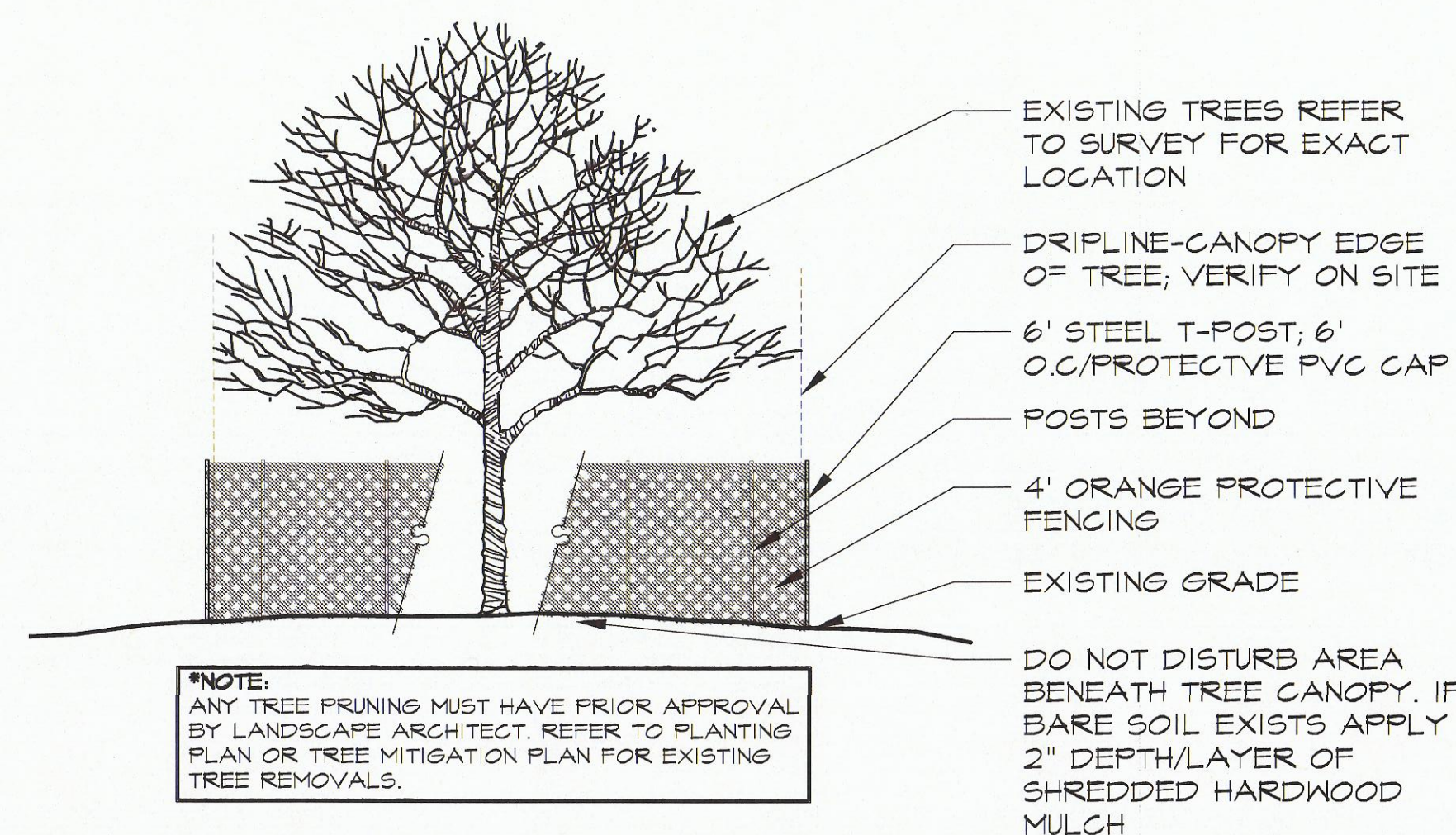
Concrete Sidewalk Detail | **B**

Scale: 3/4" = 1'-0" | L4.06



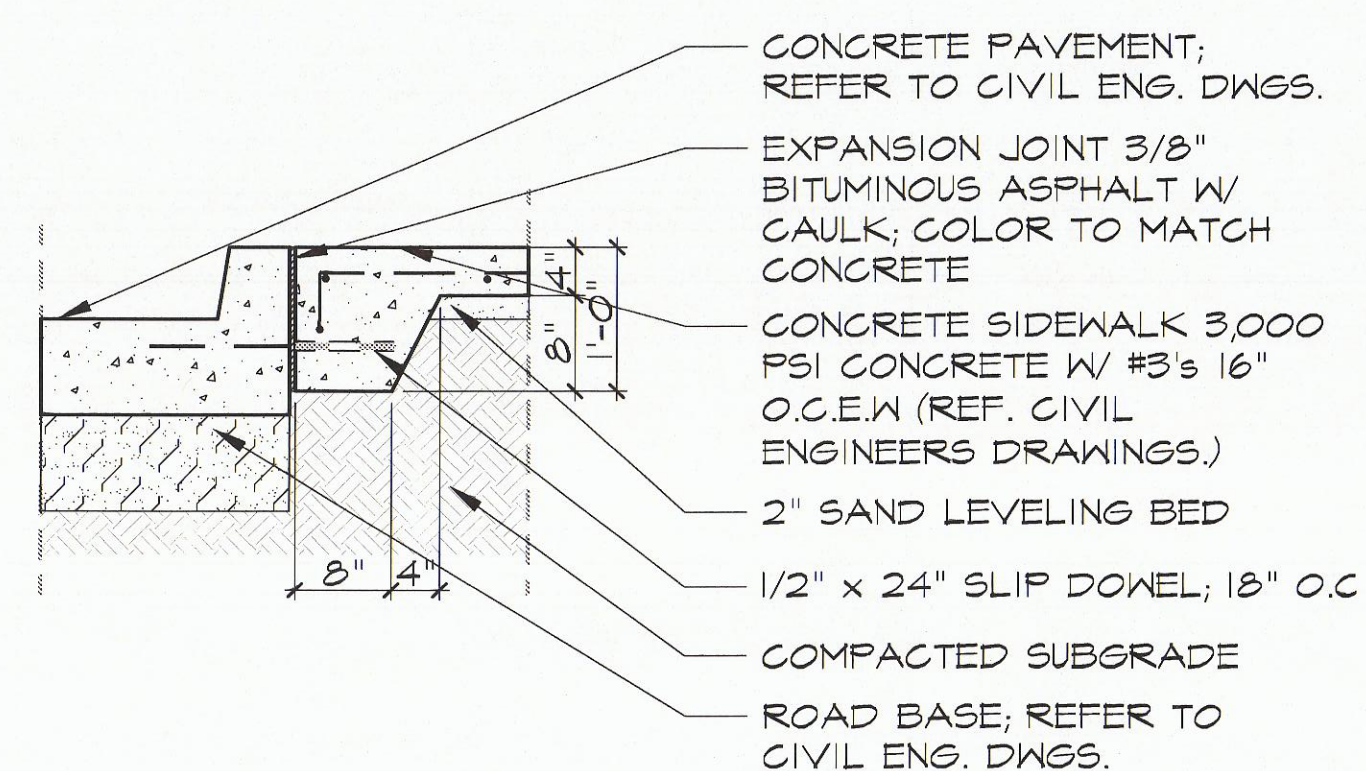
Add Alternate - Integral Color Concrete/Section | **A**

Scale: 3/4" = 1'-0" | L4.06



Tree Protection Detail | **F**

Scale: 1/4" = 1'-0" | L4.06



Add Alternate - Intergral Color Concrete/Curb Connection | **E**

Scale: 3/4" = 1'-0" | L4.06