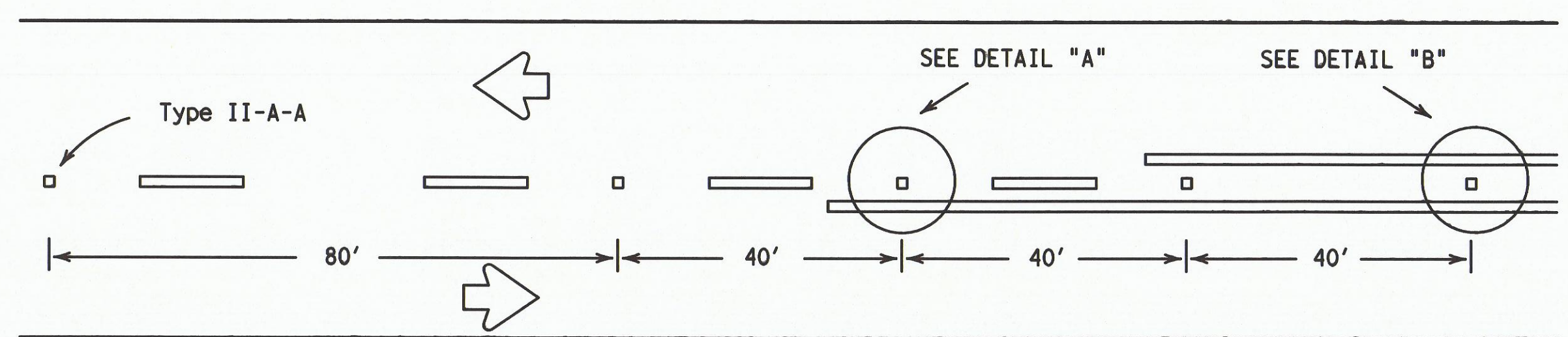
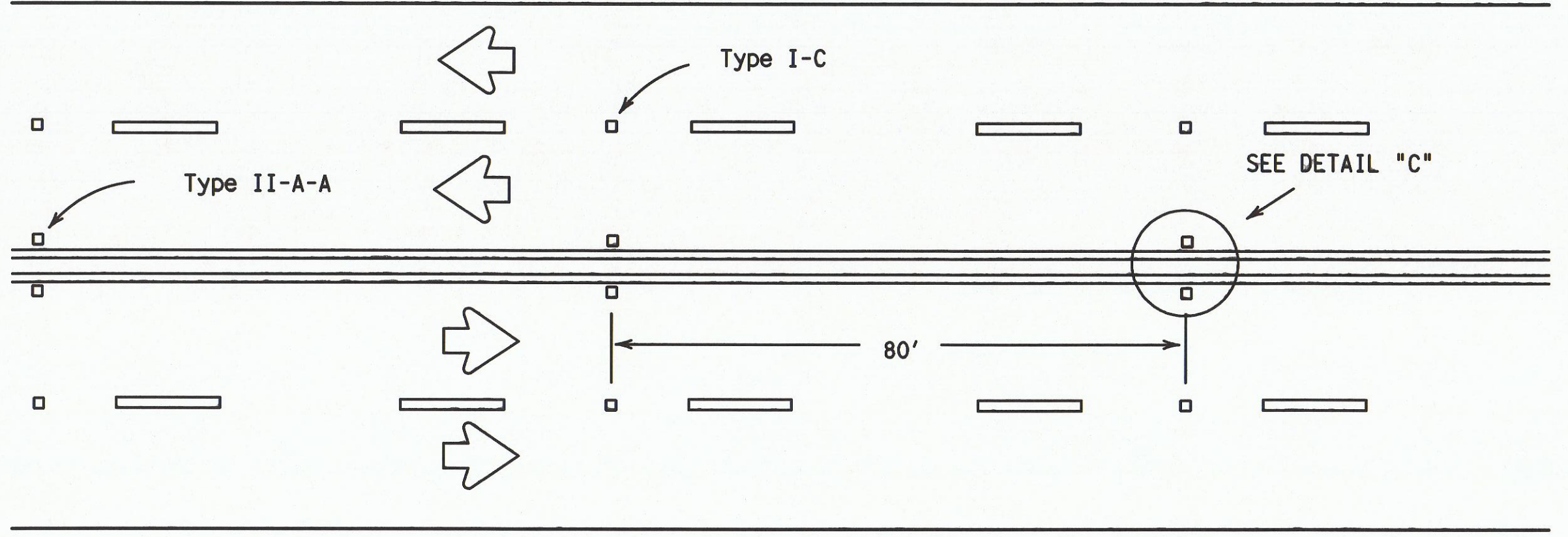


REFLECTIVE RAISED PAVEMENT MARKERS FOR VEHICLE POSITIONING GUIDANCE

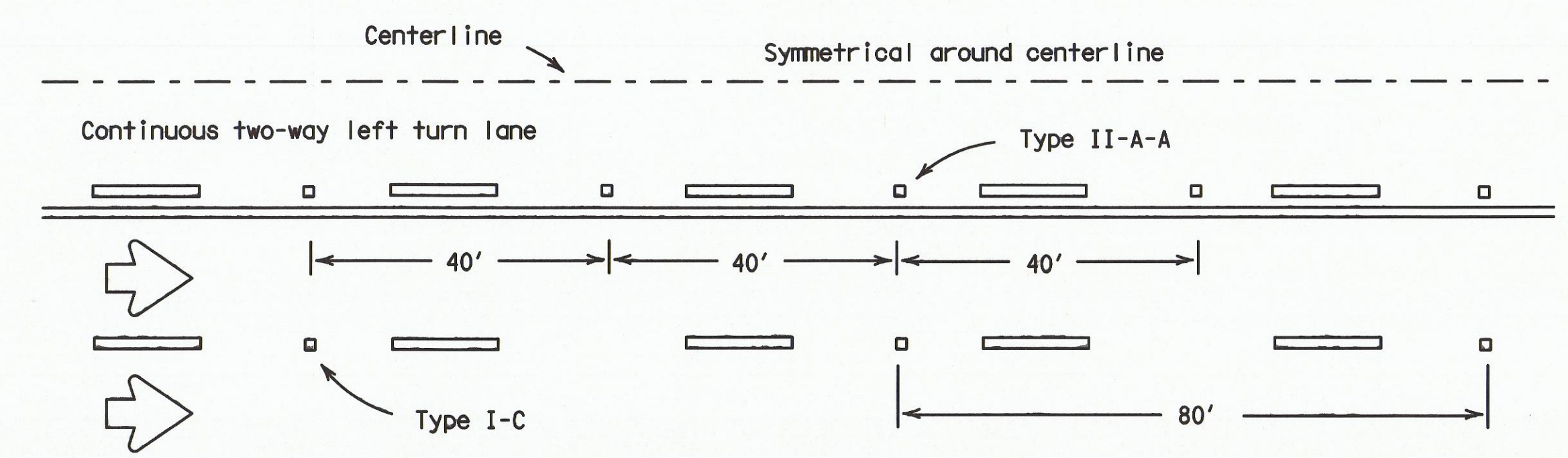


CENTERLINE FOR ALL TWO LANE ROADWAYS

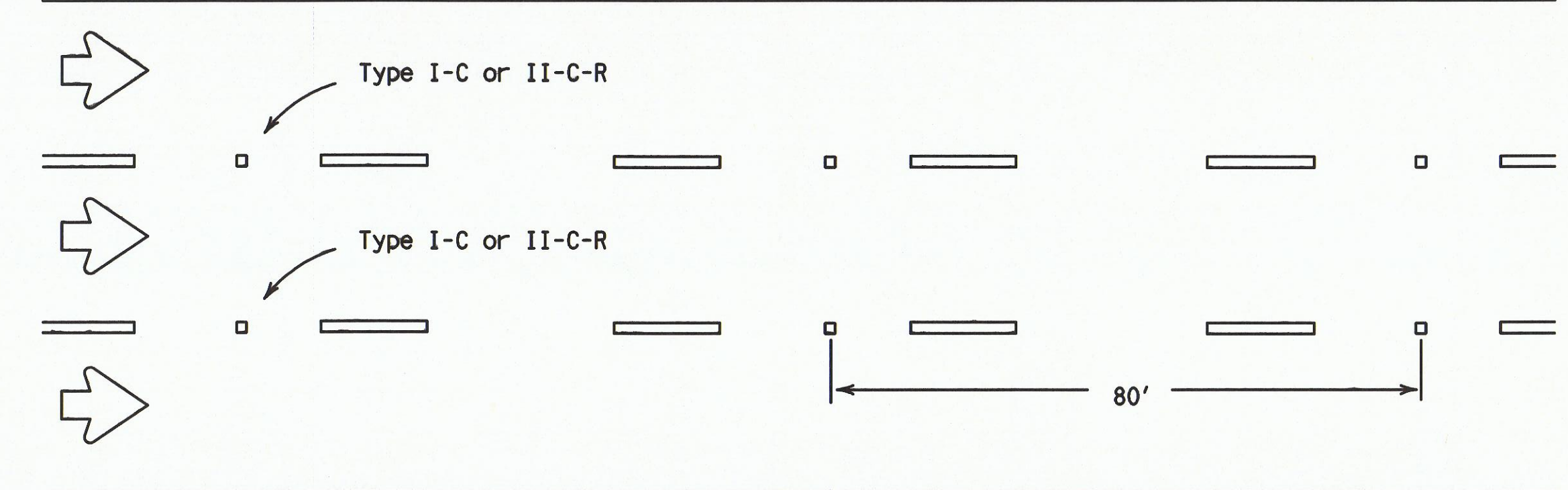


**CENTERLINE & LANE LINES
FOR FOUR LANE TWO-WAY HIGHWAYS**

Raised pavement marker Type I-C, clear face toward normal traffic, shall be placed on 80-foot centers.

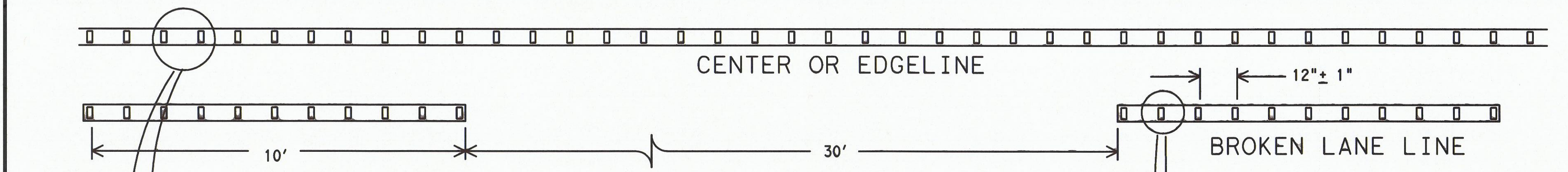
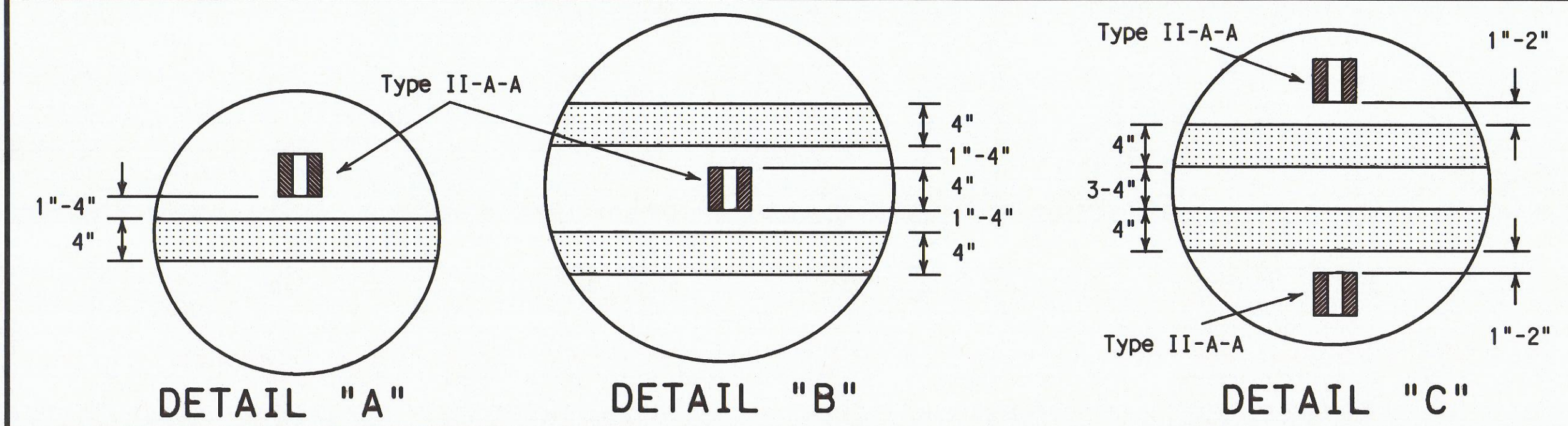


CENTERLINE AND LANE LINES FOR TWO-WAY LEFT TURN LANE

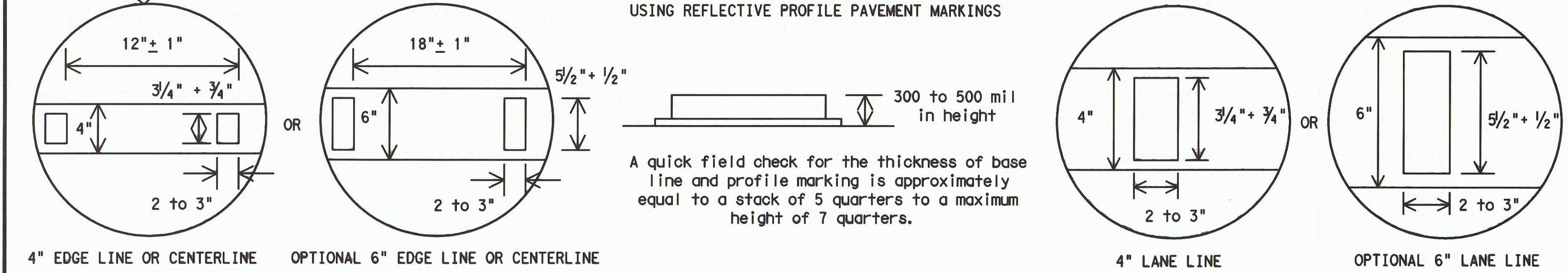


LANE LINES FOR ONE-WAY ROADWAY (NON-FREEWAY FACILITIES)

Raised pavement markers Type II-C-R shall have clear face toward normal traffic and red face toward wrong-way traffic.



**REFLECTORIZED PROFILE
PATTERN DETAIL**
USING REFLECTIVE PROFILE PAVEMENT MARKINGS



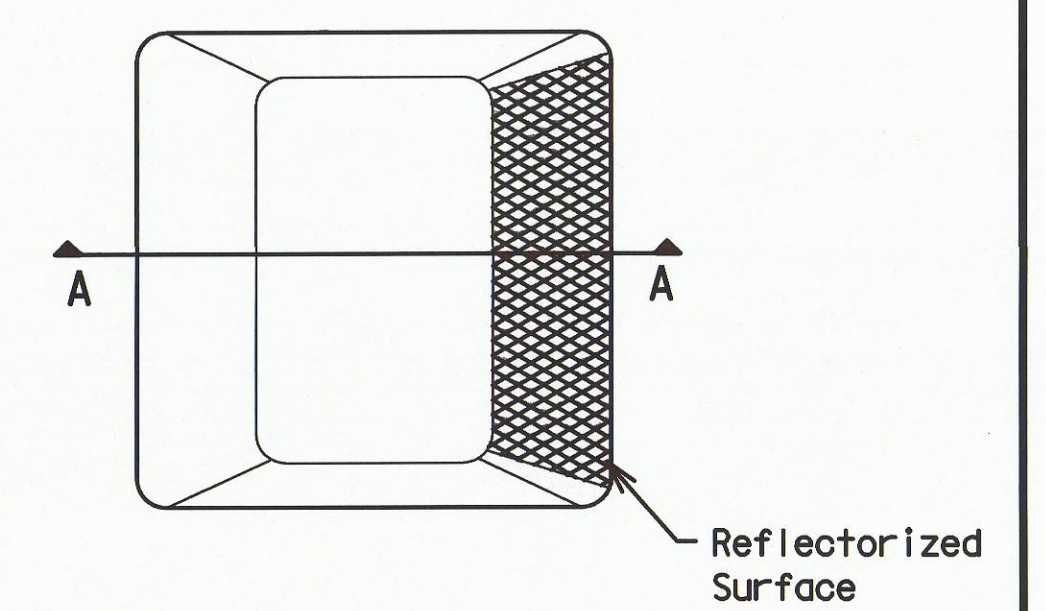
NOTE:
Profile markings shall not be placed on roadways with a posted speed limit of 45 MPH or less.

GENERAL NOTES

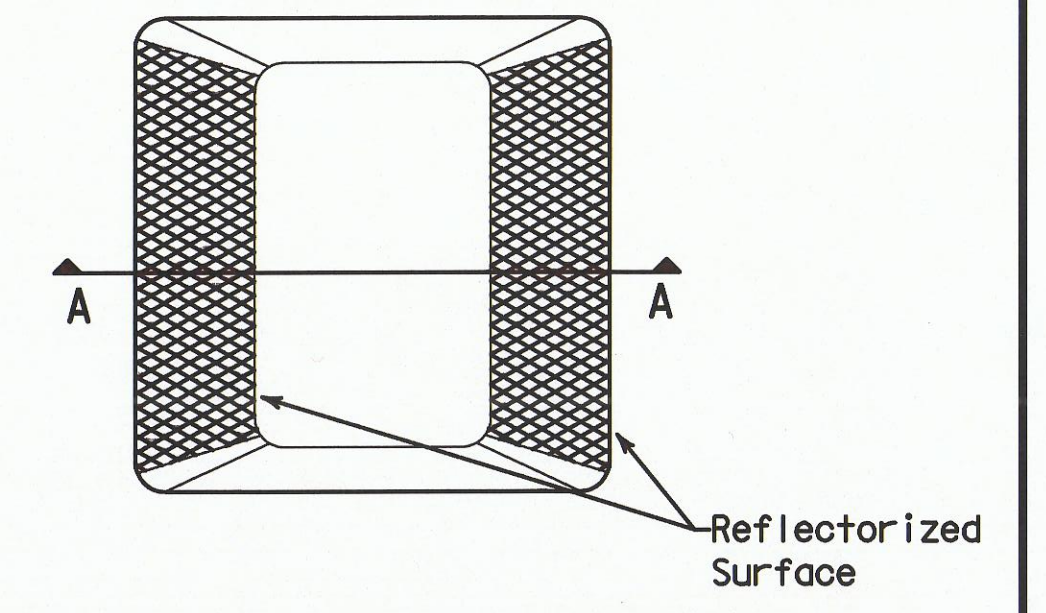
1. All raised pavement markers placed in broken lines shall be placed in line with and midway between the stripes.
2. On concrete pavements the raised pavement markers should be placed to one side of the longitudinal joints.

MATERIAL SPECIFICATIONS	
PAVEMENT MARKERS (REFLECTORIZED)	DMS-4200
EPOXY AND ADHESIVES	DMS-6100
BITUMINOUS ADHESIVE FOR PAVEMENT MARKERS	DMS-6130
TRAFFIC PAINT	DMS-8200
HOT APPLIED THERMOPLASTIC	DMS-8220
PERMANENT PREFABRICATED PAVEMENT MARKINGS	DMS-8240

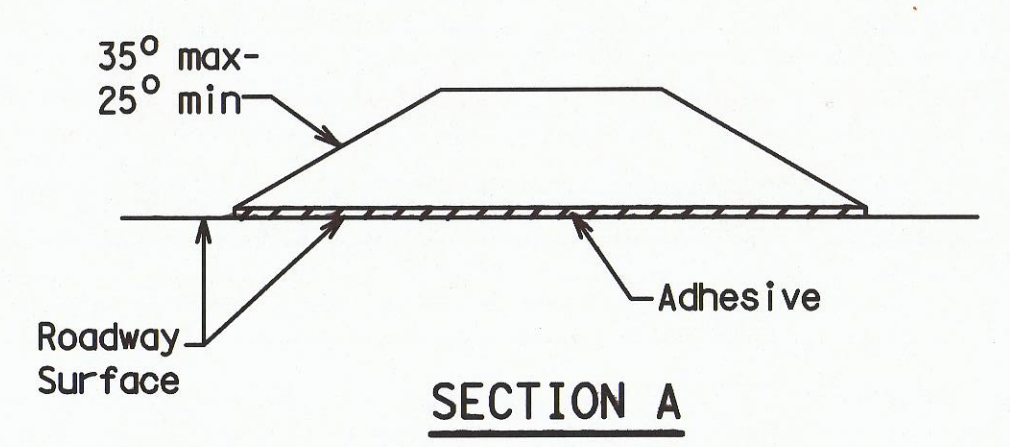
All pavement marking materials shall meet the required Departmental Material Specifications as specified by the plans.



Type I (Top View)



Type II (Top View)



RAISED PAVEMENT MARKERS

Texas Department of Transportation
Traffic Operations Division

**POSITION GUIDANCE USING
RAISED MARKERS
REFLECTORIZED PROFILE
MARKINGS**

PM(2)-12

© TxDOT April 1977		DN: TxDOT	CK: TxDOT	DW: TxDOT	CK: TxDOT
REVISIONS		CONT	SECT	JOB	HIGHWAY
4-92	2-10				
5-00	2-12				
8-00		DIST	COUNTY		SHEET NO.
2-08					
22B					

DISCLAIMER: The use of this standard is governed by the "Texas Engineering Practice Act". No warranty of any kind is made by TxDOT for any purpose whatsoever. TxDOT assumes no responsibility for the conversion of this standard to other formats or for incorrect results or damages resulting from its use.

DATE:
FILE: