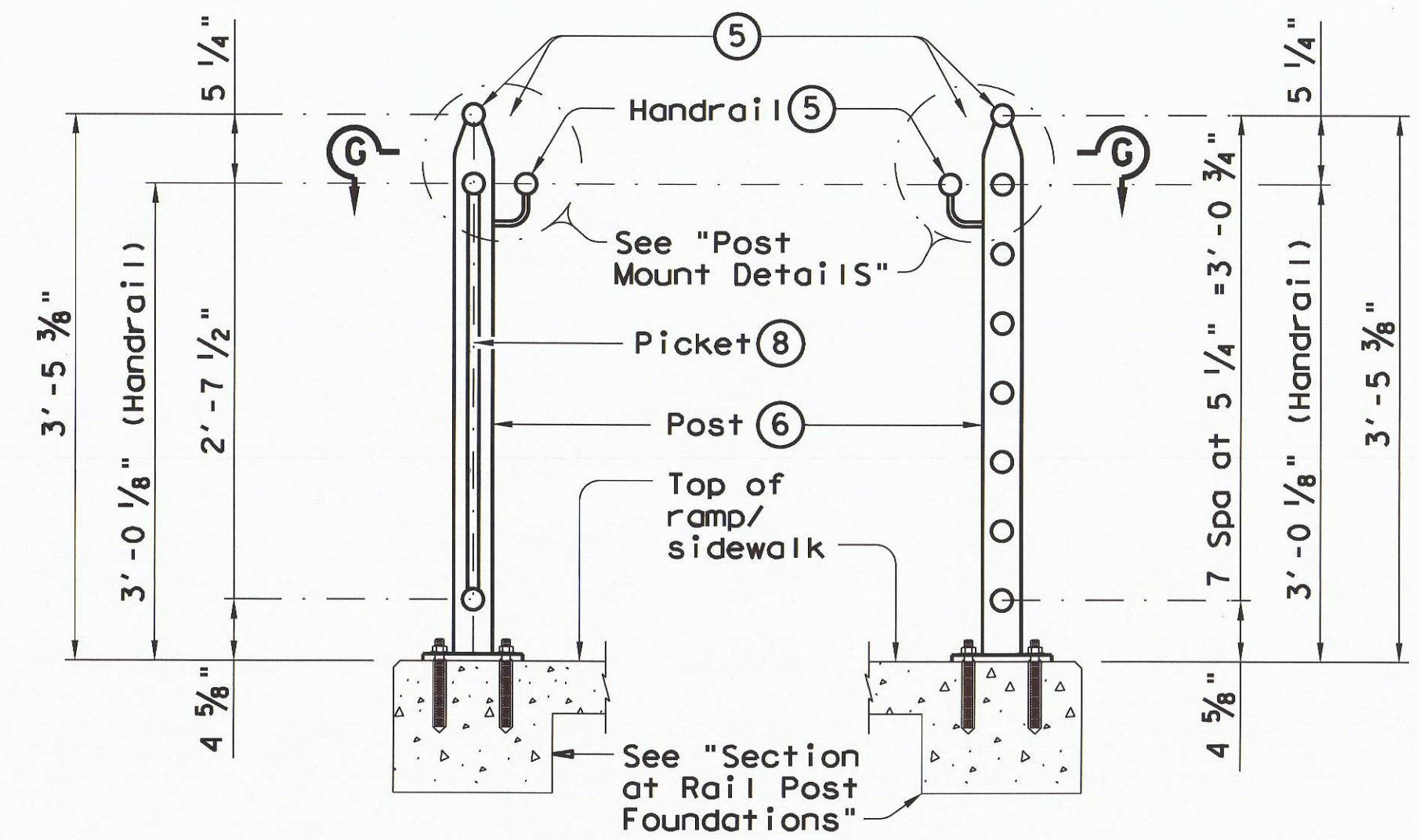
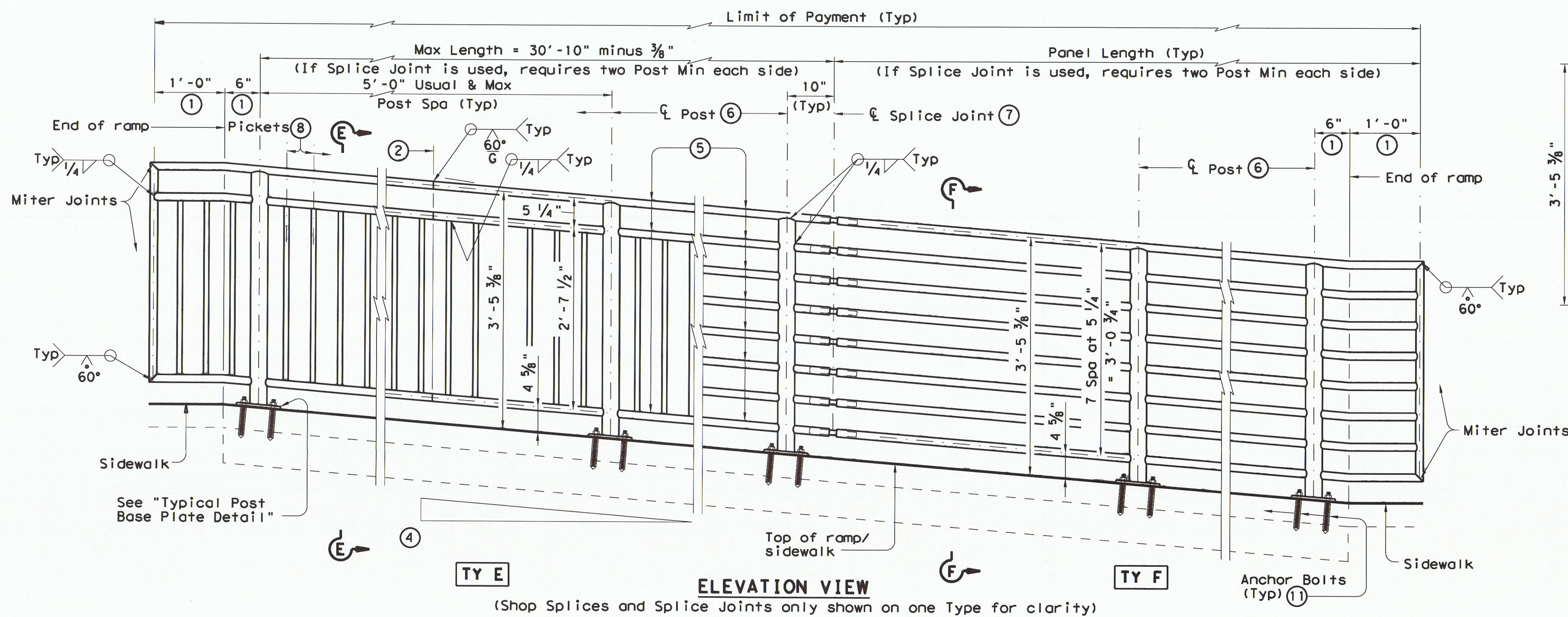
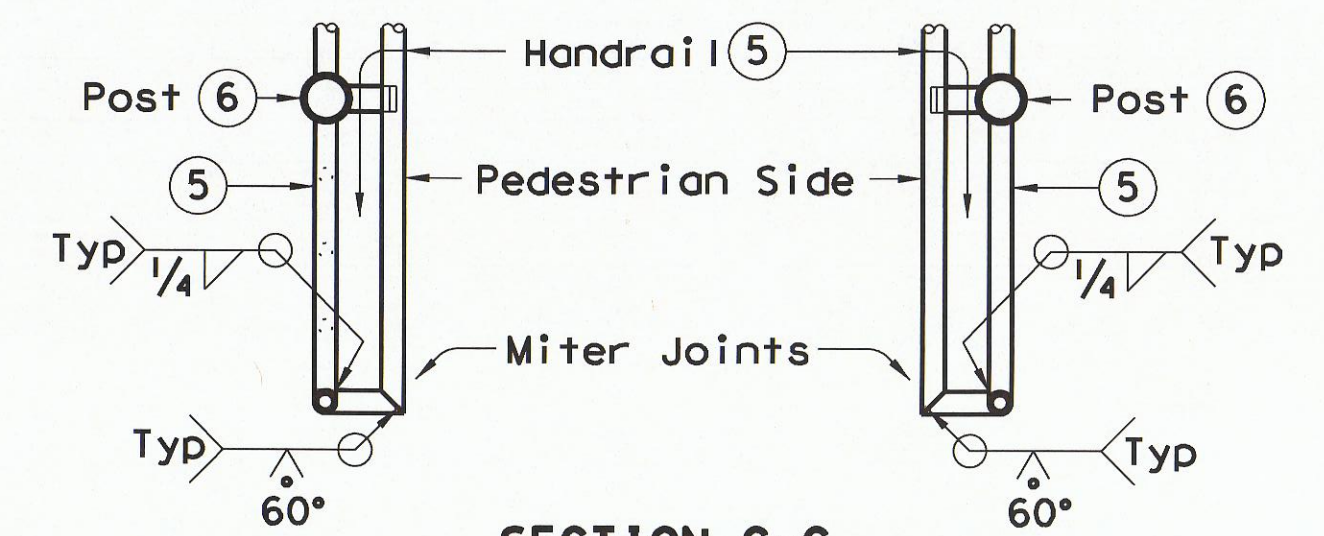


DISCLAIMER: The use of this standard is governed by the "Texas Engineering Practice Act". No warranty of any kind is made by TxDOT for any purpose whatsoever. TxDOT assumes no responsibility for the conversion of this standard to other formats or for incorrect results or damages resulting from its use.

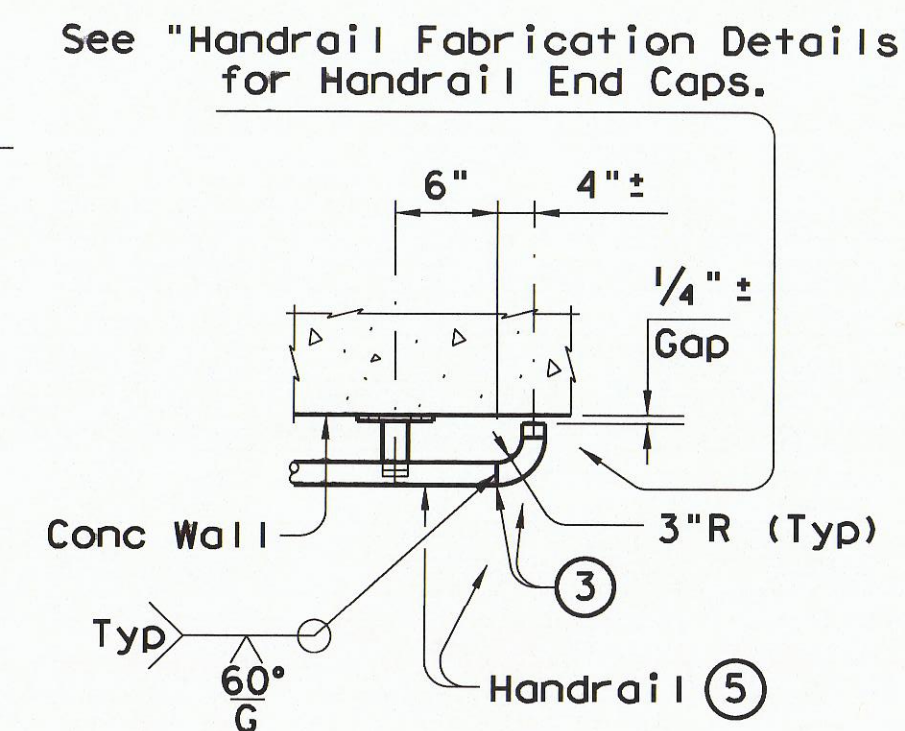
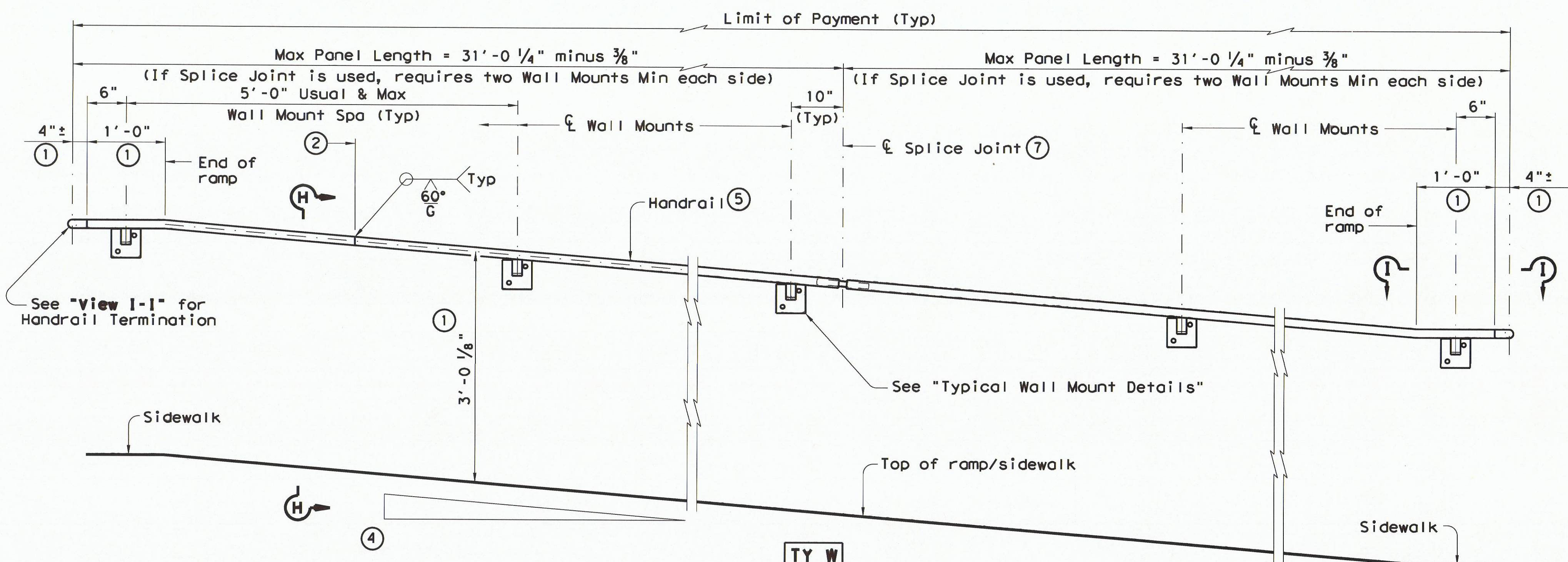
DATE: FILE:



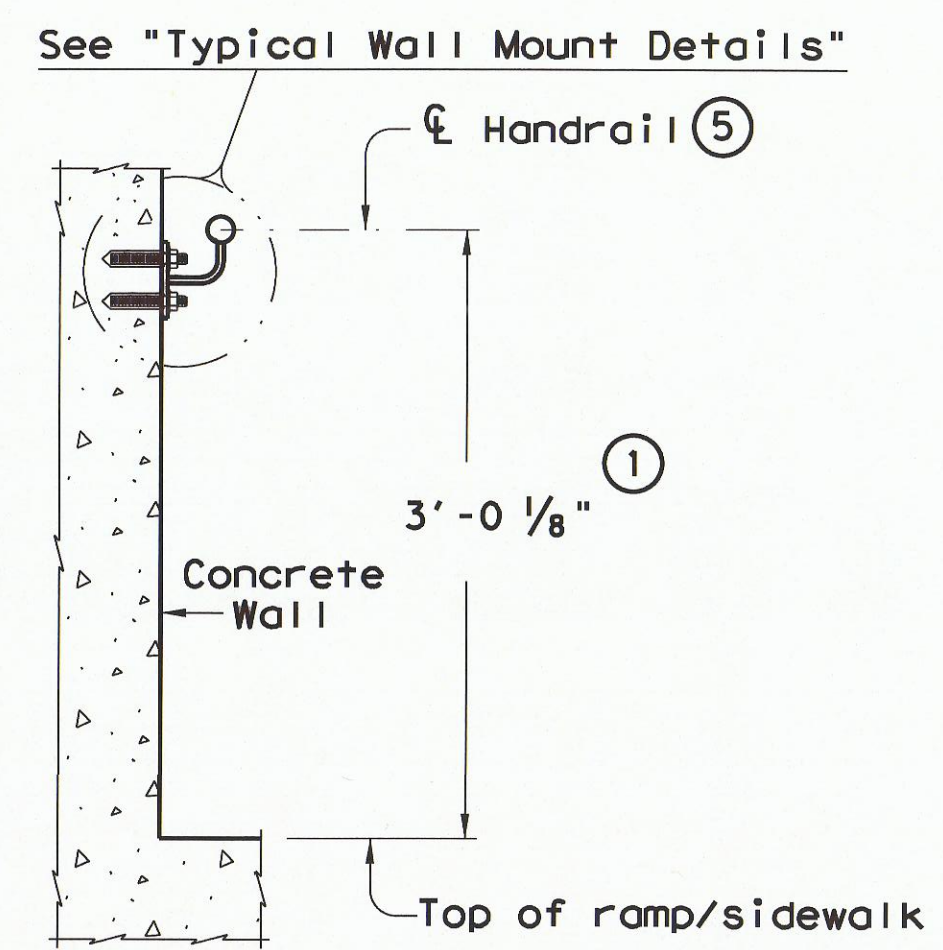
SECTION E-E (Showing Handrail TY E) SECTION F-F (Showing Handrail TY F)



SECTION G-G (Showing Handrail Termination)



VIEW I-I (Showing Handrail Termination)



SECTION H-H (Showing Handrail TY W)

- ① Parallel to ground.
- ② One shop splice per panel is permitted with minimum 85 percent penetration. The weld may be square groove or single vee groove. Grind smooth.
- ③ Shop splice is permitted with minimum 85 percent penetration. The weld may be square groove or single vee groove. Grind smooth.
- ④ See Ramp Details located elsewhere in plans for ramp slope and dimensions. Maximum ramp slope will not exceed 8.3 percent. Level landing required for each 30" rise if grade exceeds 5 percent.
- ⑤ 1 1/2" Dia. Standard Pipe (1.900" O.D., 0.145" wall thickness). Parallel to ramp / sidewalk. Provide holes as needed in 1/2" Dia. pipe for galvanizing drainage and venting.
- ⑥ 2 1/2" Dia. Standard Pipe (2.875" O.D., 0.203" wall thickness). See "Post Mount Detail" for crimping and trimming post to fit Dia. of top rail. Provide holes as needed in post for galvanizing drainage and venting. Plumb all posts.
- ⑦ See "Handrail Fabrication Details" for Splice Joints.
- ⑧ 1/2" Dia. Round Bar equal spacing at 4 1/2" Max. Plumb all pickets.
- ⑪ See "General Notes" for anchor bolt information.

PEDESTRIAN HANDRAIL DETAILS PRD-13

FILE: prd13.dgn	DN: TxDOT	CK: AM	DW: JTR	CK: CGL
© TxDOT December 2006	CONT	SECT	JOB	HIGHWAY
REVISED MAY, 2013 (VP)	REVISIONS			
DIST	COUNTY	SHEET NO.		