



PROJECT NAME

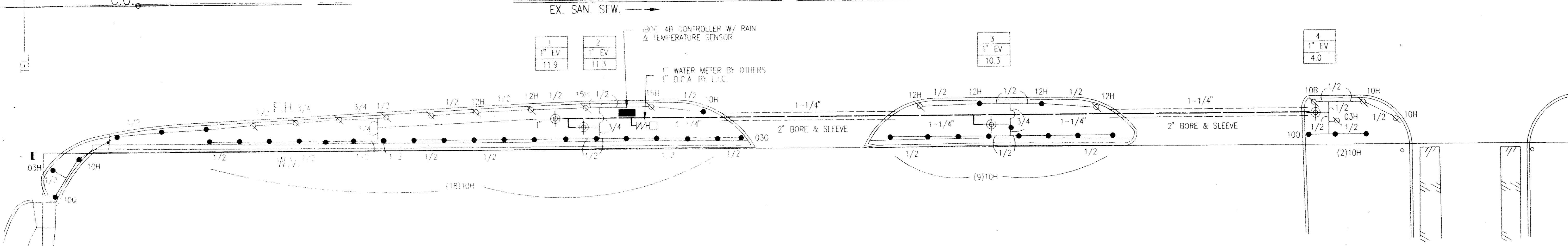
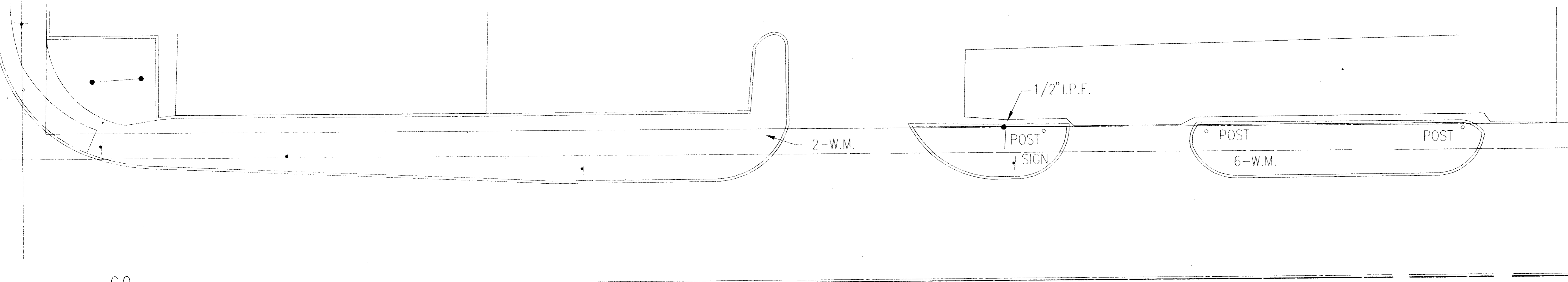
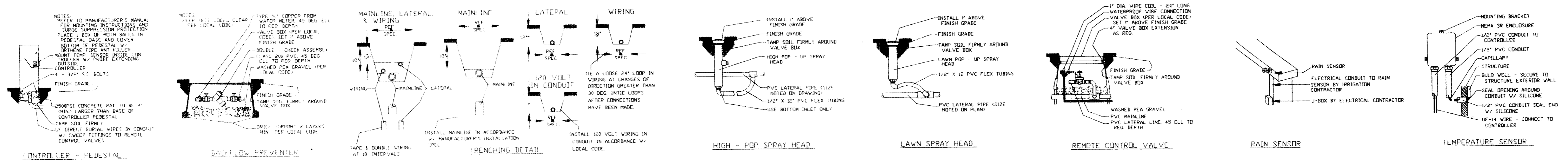
BELTWOOD
PARKWAY

ADDISON,
TEXAS



1100 CENTENNIAL BLVD. #120
RICHARDSON, TEXAS 75081
(214)990-7474
FAX (214)990-7870

TITLE IRRIGATION
DATE 09/09/96
SCALE 1"=10'-0"
SHEET SHEET 4 L3.01



NOTES

- ALL 24 VOLT LEAD AND COMMON VALVE WIRING SHALL BE A MINIMUM OF 14 GA. SINGLE CONDUCTOR. REFER TO MANUFACTURER'S RECOMMENDATIONS FOR PROPER WIRE SIZE. WIRE SPLICES SHALL BE PERMANENT AND WATERPROOF.
- COORDINATE INSTALLATION OF IRRIGATION SYSTEM WITH LANDSCAPE CONTRACTOR TO ENSURE ALL PLANT MATERIAL WILL BE WATERED IN ACCORDANCE WITH THE INTENT OF THE PLANS AND SPECIFICATIONS.
- LATERAL PIPING SHALL HAVE A MINIMUM OF 12" OF COVER. MAINLINE AND PIPING UNDER PAVING SHALL HAVE A MINIMUM OF 18" OF COVER.
- PIPING AND VALVES IN PAVING SHOWN FOR CLARITY. INSTALL IN ADJACENT PLANTING BED OR LAWN AREA.
- CONNECT LAWN AND HIGH POP SPRAY HEADS TO LATERAL PIPE WITH POLY NIPPLES AND BSH40 PVC FITTINGS AS REQUIRED. PER DETAIL SHOWN. USE WELD-ON #786 SOLVENT AND #2010 PRIMER ON THESE CONNECTIONS.
- INSTALL REMOTE CONTROL VALVES IN TEN (10) VALVE BOXES PER DETAIL SHOWN.
- SLEEVES SHALL BE CLASS 200 PVC SIZED AS NOTED ON PLANS.
- ROUTE COMMON WIRE FROM CONTROLLER TO REMOTE SENSORS IN SERIES PRIOR TO CONNECTING TO REMOTE CONTROL VALVES.
- TEN DAYS PRIOR TO START OF CONSTRUCTION, VERIFY STATIC PRESSURE. IF STATIC PRESSURE IS LESS THAN 50.0 PSI, DO NOT START WORK UNTIL NOTIFIED TO PROCEED BY OWNER. DESIGN PRESSURE IS 34.0 PSI.

IRRIGATION LEGEND

SYMBOL	DESCRIPTION	MANUFACTURER	MODEL NO.
●	LAWN SPRAY HEAD	WEATHER-MATIC	#55P W/ 420P, 420H, OR 420G NOZZLES UNLESS NOTED OTHERWISE
⊕	HIGH-POP SPRAY HEAD	WEATHER-MATIC	#75P W/ 420P, 420H, OR 420G NOZZLES UNLESS NOTED OTHERWISE
⊕	REMOTE CONTROL VALVE	WEATHER-MATIC	#1024PCR, SIZED AS SHOWN
■	CONTROLLER	IRRI-TECH	IBOC-4B W/ PEDASTAL & 1950 RAINSTAT & PENN A-19A-C-1 TEMP. SENSOR
—	MAINLINE PIPING	REFER TO SPEC.	CLASS 200 PVC
—	LATERAL PIPING	REFER TO SPEC.	CLASS 200 PVC
∩	BACKFLOW PREVENTER	FEBCO	809Y
□	WATER METER	REFER TO SPEC.	PER LOCAL BUILDING CODE
3 1" EV 10.3	STATION NUMBER VALVE SIZE GPM (APPROX.)		

IRRI-TECH CORPORATION
DESIGN DEPARTMENT
12650 SCHROEDER RD.
DALLAS, TEXAS 75243
(214)231-5151 FAX (214)231-5172

