

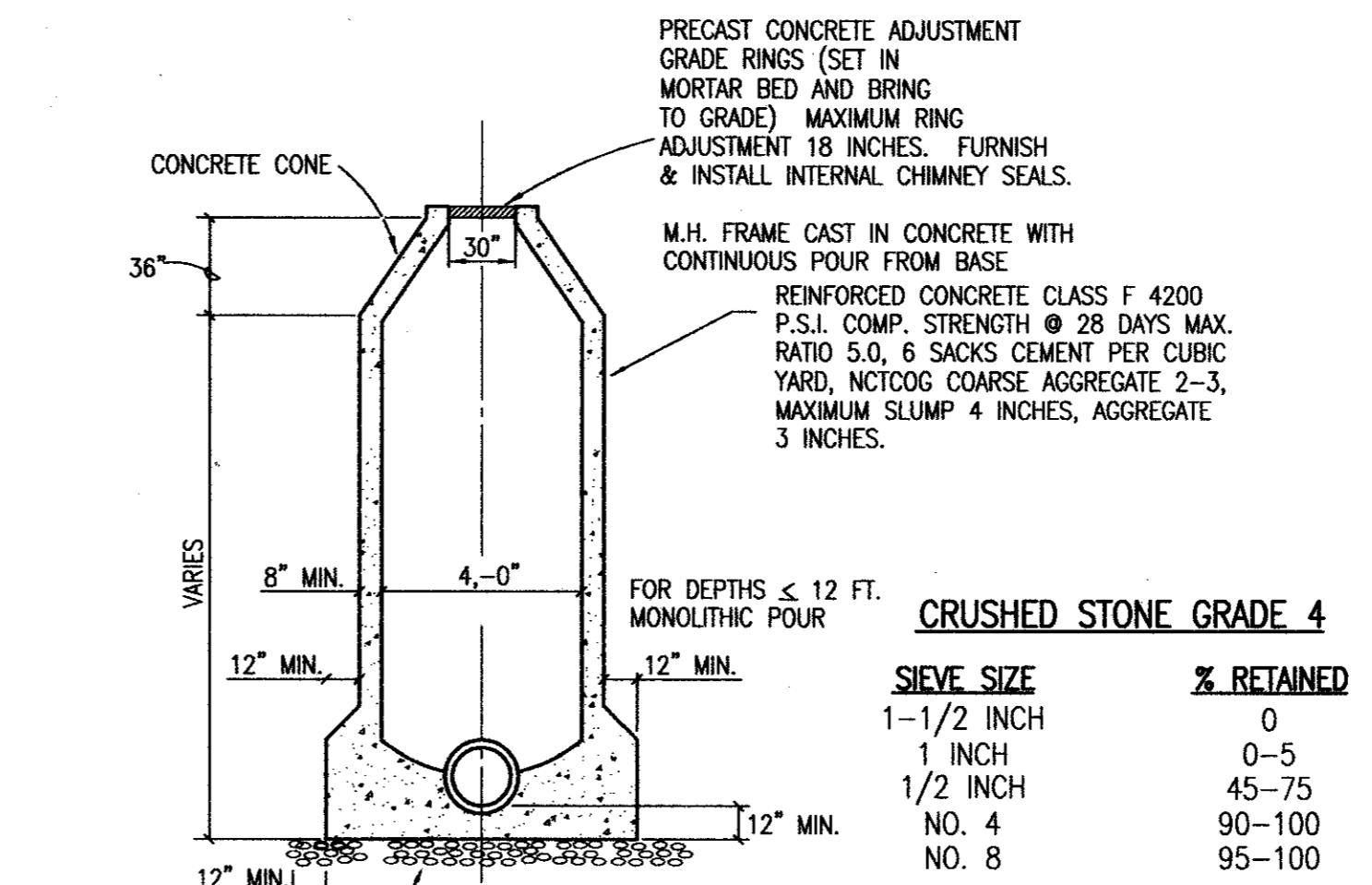
**MANHOLE RING AND COVER**

MANHOLE RING & COVER SHALL BE 455 LBS MIN. WT.

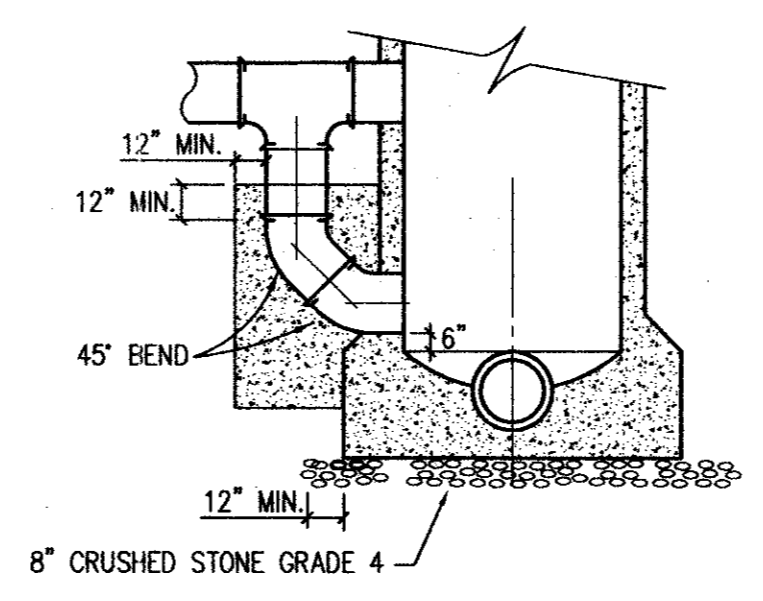
**GENERAL NOTES**

(NOTES APPLY TO ALL SHEETS)

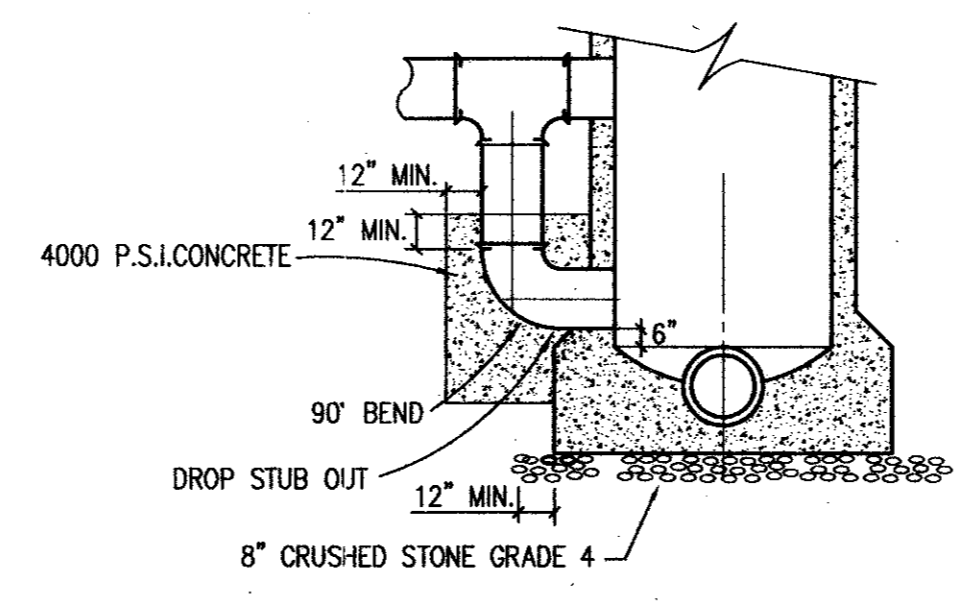
- REASONABLE EFFORT HAS BEEN MADE TO SHOW THE LOCATION OF ALL KNOWN UNDERGROUND UTILITIES AND SERVICE LINES. HOWEVER, THE OWNER ASSUMES NO RESPONSIBILITY FOR FAILURE TO SHOW ANY OR ALL EXISTING SUBSURFACE OR SURFACE UTILITIES OR UTILITY LINES, OR TO SHOW THEM IN THEIR EXACT LOCATION. THE CONTRACTOR SHALL BE RESPONSIBLE FOR THE PROTECTION OF ALL EXISTING UTILITIES, SERVICE LINES OR THE LIKE, WHICH ARE CROSSED OR EXPOSED BY THE CONSTRUCTION OPERATION.
- CONTRACTOR SHALL NOTIFY UTILITY COMPANIES 72 HOURS PRIOR TO CONSTRUCTION
  - T.U. ELECTRIC
  - SOUTHWESTERN BELL TELEPHONE
  - LONE STAR GAS
- PRIOR TO CONSTRUCTION OF PROPOSED LINES, THE CONTRACTOR SHALL LOCATE AND UNCOVER ALL SERVICE LINES AND VERIFY THAT EACH CAN BE CONNECTED TO THE PROPOSED MAIN LINE.
- ALL WYES, STACKS AND PIPE SERVICE CONNECTIONS SHALL BE P.V.C. (SDR-35).
- ALL PAVEMENT SHALL BE SAWCUT FOR TRENCHES. SAWCUTS SHALL BE FULL DEPTH.
- ALL CONCRETE PAVEMENT (ROADWAYS, CURB & GUTTERS, DRIVES, AND SIDEWALKS, ETC.) SHALL HAVE EXISTING STEEL SPLICED INTO PROPOSED CONCRETE REPLACEMENT STEEL. IF BARS CAN NOT BE LOCATED OR SPLICED, 18 INCH LONG NO. 4 DOWELS SHALL BE DRILLED INTO EXISTING PAVEMENT. CONTRACTOR SHALL UTILIZE A DRILLING RIG TO DRILL HOLES FOR DOWEL BARS. CONTRACTOR SHALL UTILIZE PROPER BITS AND PRESSURE, AS NOT TO DAMAGE EXISTING CONCRETE. CONTRACTOR SHALL BE RESPONSIBLE FOR ALL DAMAGED PAVEMENT AND REPAIR AT HIS OWN COST.
- ALL MANHOLE/PIPE CONNECTIONS SHALL INCLUDE A COUPLING WITH O-RING RUBBER GASKET, KOR-N-SEAL, A-LOK OR APPROVED EQUAL.
- ALL EXISTING SEWER LINES, WHICH ARE TO BE PLUGGED, SHALL BE PLUGGED WITH A MINIMUM OF 18 INCHES OF 2000 P.S.I. (N.C.T.C.O.G. ITEM 7.4.5 CLASS B) CONCRETE. THE 18 INCHES OF SEWER LINE TO BE PLUGGED SHALL BE CLEANED PRIOR TO PLUGGING. THE CONTRACTOR SHALL PROTECT ALL UNDERGROUND SPRINKLER SYSTEMS. ALL DAMAGES CAUSED BY CONSTRUCTION SHALL BE REPAIRED. ALL COST SHALL BE BORNE BY THE CONTRACTOR. ALL REPAIR WORK SHALL BE COMPLETED BY LICENSED IRRIGATOR.
- CONTRACTOR SHALL FURNISH, PLACE AND MAINTAIN SOLID SOD IN ALL DISTURBED AREAS FROM CONSTRUCTION ALONG BELTWOOD PKWY AND BETWEEN INWOOD RD. SAN. SEW. REPLACEMENT STA. 7+80 TO 19+00. ALL OTHER AREAS SHALL BE FINE GRADING WITHOUT SEEDING OR SOD. THE CONTRACTOR SHALL WATER, FERTILIZE AND MAINTAIN THE SODDED AREAS FOR A PERIOD OF NO LESS THAN 72 HOURS. EACH DAY, THE CONTRACTOR SHALL WATER THE SOD UNTIL THE PROPERTY OWNER ASSUMES RESPONSIBILITY OF THE SODDED AREA. SODDING SHALL BE SOLID SOD OF THE PREDOMINANT GRASS IN THE AREA. SOD SHALL BE LAID END TO END AND SIDE TO SIDE.
- CONTRACTOR SHALL HAVE TU ELECTRIC SUPPORT POWER POLES DURING CONSTRUCTION OF SEWER LINE.
- CONTRACTOR SHALL FIELD LOCATE ALL KNOWN UTILITY CROSSINGS AT PROPOSED SEWER LINE TO DETERMINE IF CONFLICT EXISTS. IF CONFLICT EXISTS CONTRACTOR SHALL ADJUST UTILITY TO CLEAR PROPOSED SEWER LINE.
- CONTRACTOR SHALL REMOVE TREES AS SHOWN ON THE PLANS. REMOVAL SHALL INCLUDE REMOVING THE ROOTS. TREES SHALL BE DISPOSED OFF SITE OR MULCHED ON SITE AND SPREAD WITHIN THE EASEMENT.
- CONTRACTOR SHALL ABANDON EXISTING MANHOLES AS SHOWN IN THE PLAN. ABANDON SHALL INCLUDE PLACING 2000 PSI (N.C.T.C.O.G. ITEM 7.4.5 CLASS B) CONCRETE 12 INCHES ABOVE SPRING LINE OF PIPES, BACKFILLING IN 8 INCH LIFTS WITH EXCAVATED OR IMPORTED MATERIAL. REMOVE RING, COVER AND CONE. BACKFILL TOP 12 INCHES WITH IMPORTED TOPSOIL. (M.H. H2).
- ALL FENCE REMOVED FOR CONVENIENCE OF CONSTRUCTION SHALL BE RECONSTRUCTED. ALL POST SHALL BE SET IN NEW CONCRETE. ALL TIES SHALL BE NEW.
- CONCRETE PAVEMENT REPLACEMENT SHALL BE N.C.T.C.O.G. ITEM 7.4.5, CLASS A CONCRETE, 3000 PSI COMPRESSIVE STRENGTH @ 28 DAYS MINIMUM 5 SACK CEMENT PER CUBIC YARD. MAXIMUM W/C = 6.5 REINFORCING SHALL BE NO. 3 DEFORMED BARS ON 18 INCH CENTERS.
- MANHOLES SHALL BE PLUMB TO WITHIN 1" FOR EVERY 5 FT. OF VERTICAL DEPTH, PRECAST OR IN PLACE.
- MANHOLES OVER 12 FT. DEEP SHALL HAVE NO. 3 BARS @ 18" O.C.E.W. AND IF NOT POURED MONOLITHIC COLD JOINTS SHALL HAVE A FORMED GROOVE OR REINFORCING DOWELS FOR SHEAR PROTECTION; CONSTRUCTION JOINTS SHALL HAVE HEAVY DUTY P.V.C. WATERSTOP 9-INCHES IN THE DIRECTION PERPENDICULAR TO THE JOINT AS MANUFACTURED BY B.F. GOODRICH OR APPROVED EQUAL.
- CONTRACTOR SHALL HAVE A LICENSED LANDSCAPE FIRM TRIM EXISTING TREES FOR CONSTRUCTION PURPOSES.
- EXISTING FIRE HYDRANTS AND VALVES SHALL BE REMOVED AND DISPOSED OF BY THE CONTRACTORS.
- ALL VALVES SHALL BE RESILIENT SEATED WEDGE.
- ACCEPTABLE FIRE HYDRANTS ARE MUELLER, CLOW & WATEROUS.
- LOCATE FIRE HYDRANTS SIX FEET BEHIND BACK OF CURB OR AS DIRECTED BY THE TOWN INSPECTOR.
- TWO WAY TRAFFIC SHALL BE MAINTAINED AT ALL TIMES. ACCESS TO BUSINESS SHALL BE MAINTAINED AT ALL TIMES. CONTRACTOR SHALL FURNISH, PLACE, MAINTAIN AND REMOVE BARRICADES IN ACCORDANCE WITH THE TxDOT'S MANUAL OF UNIFORM TRAFFIC CONTROL DEVICES.
- ALL SIGNS REMOVED FOR CONSTRUCTION SHALL BE REESTABLISHED BY THE CONTRACTOR. POSTS SET IN CONCRETE SHALL HAVE EXISTING CONCRETE REMOVED AND NEW CONCRETE PLACED.
- PRE CAST MANHOLES ARE NOT ACCEPTABLE. ALL MANHOLES SHALL BE CAST IN PLACE.



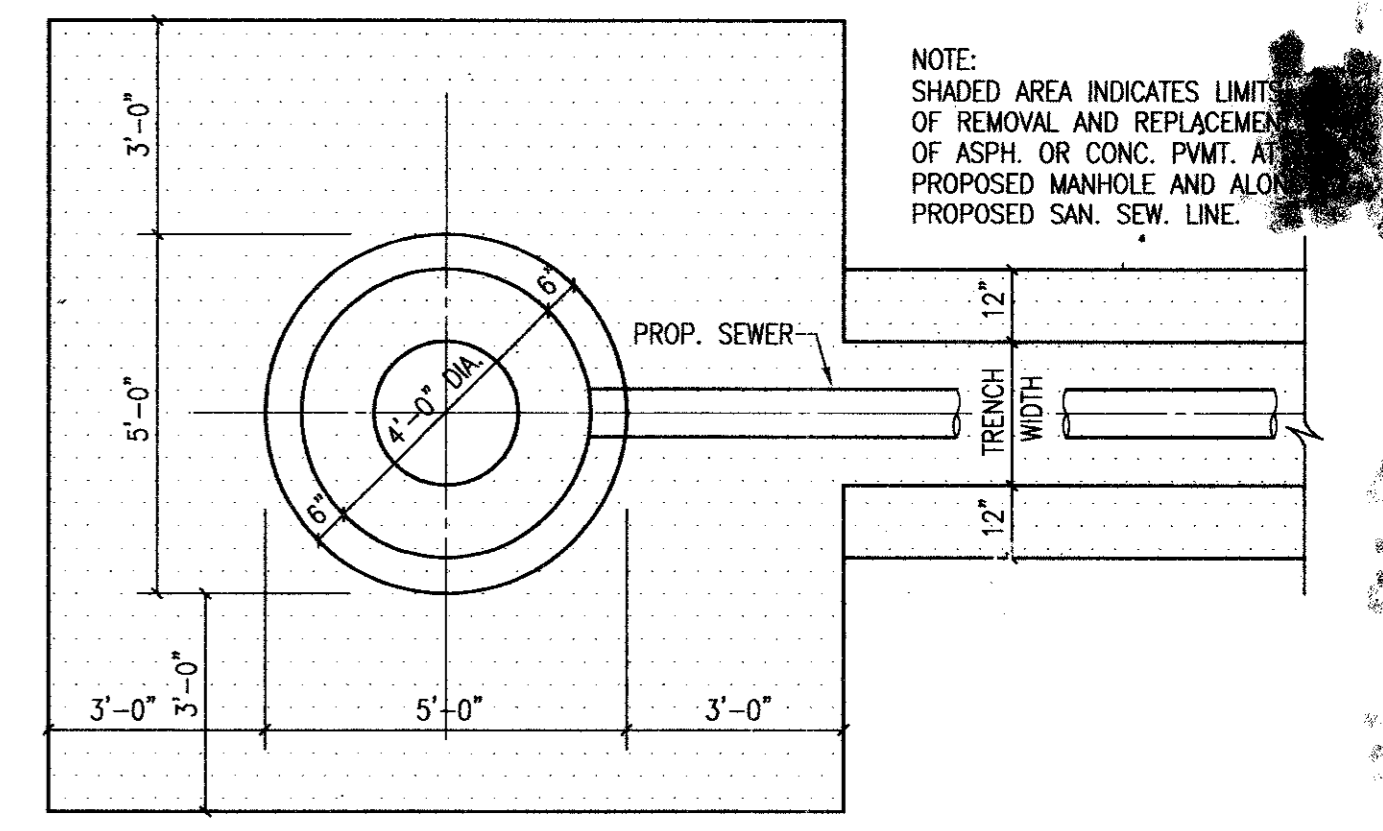
**STANDARD CAST IN PLACE MANHOLE**



**MANHOLE W/45° DROP CONNECTION**

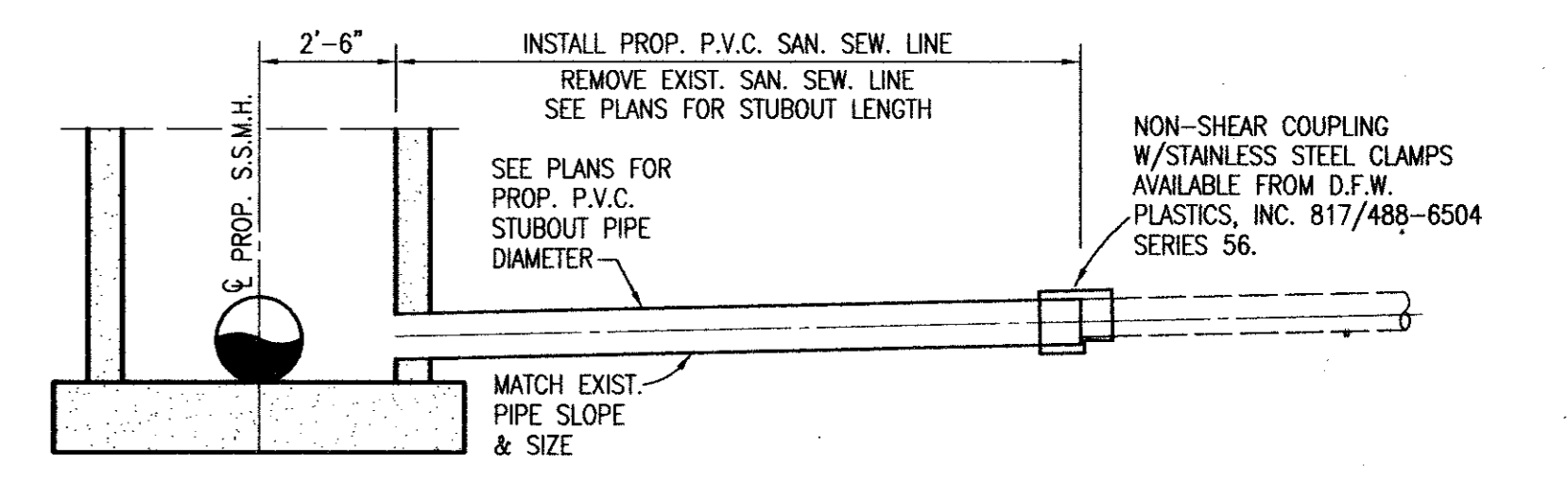


**MANHOLE W/90° DROP CONNECTION**



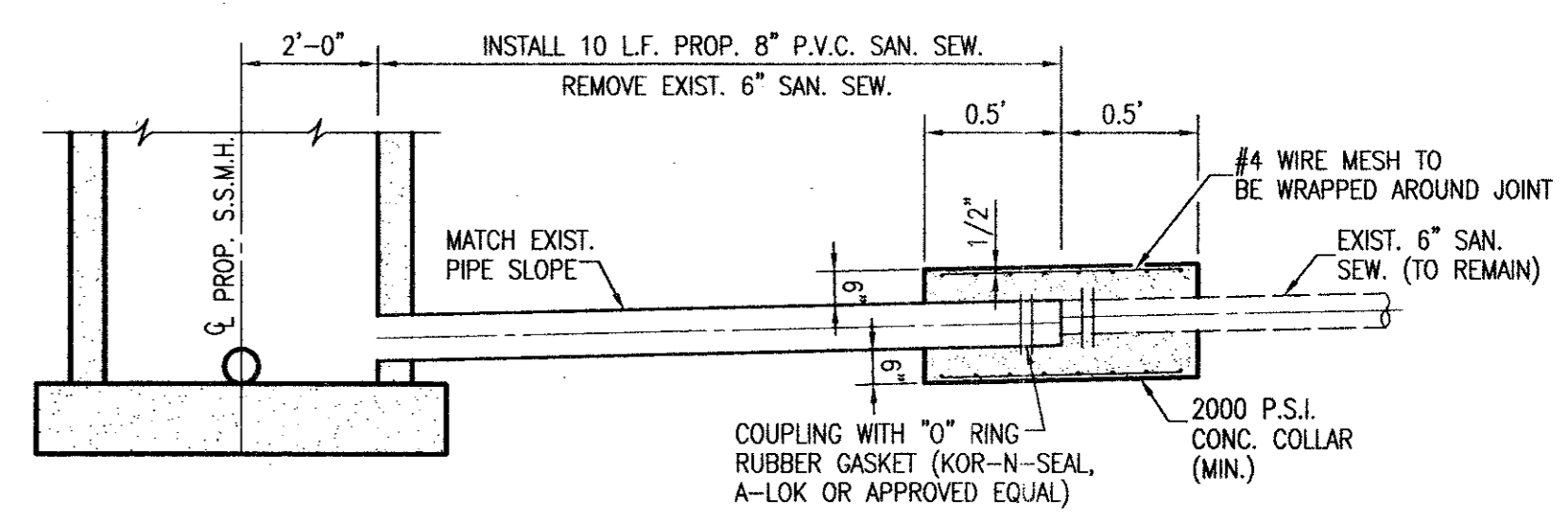
**LIMITS OF REMOVAL AND REPLACING OF PAVEMENT**

NO SCALE



**STUBOUT CONNECTION DETAIL 6" & 8" LINES**

NO SCALE

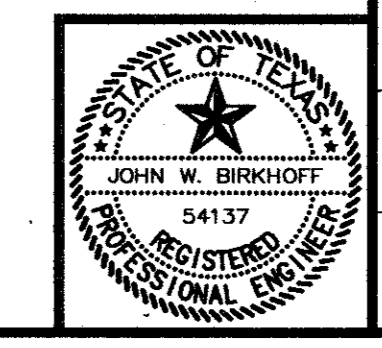


**STUBOUT CONNECTION DETAIL 10" & LARGER**

NOT TO SCALE

REVISED TO CONFORM TO CONSTRUCTION RECORDS BY JWB DATE 8/26/97

THESE DOCUMENTS ARE FOR BIDDING, CONSTRUCTION, AND PERMIT PURPOSES.  
*John W. Birkhoff*  
DATE: 11/20/96



TOWN OF ADDISON, TEXAS

DETAIL & GENERAL NOTES SHEET

SHIMEK, JACOBS & FINKLEA, L.L.P.  
CONSULTING ENGINEERS  
Dallas, Texas

DESIGNED BY: J.W.B.	PROJECT: 96162	SHEET NO. 12
DRAWN BY: R.J.L.	DATE: NOV., 1996	OF 12 SHEETS